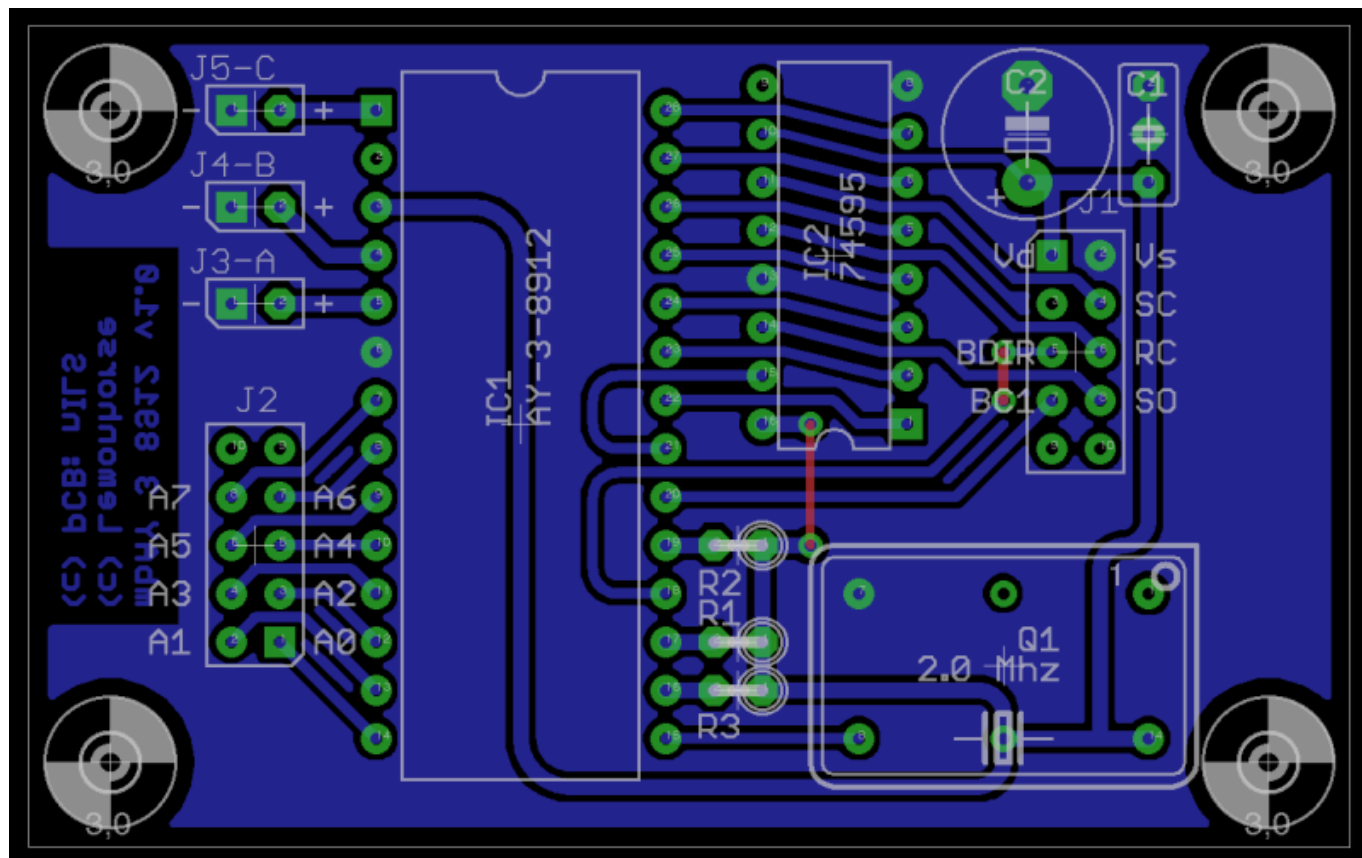
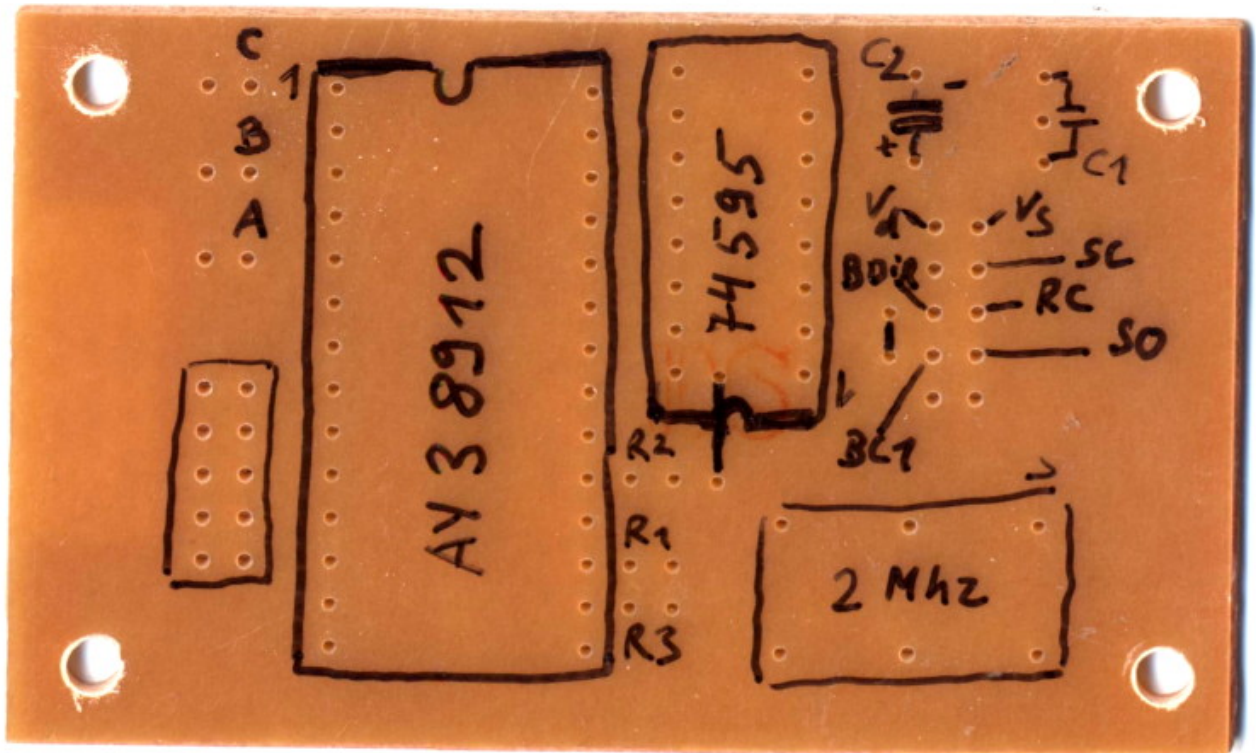
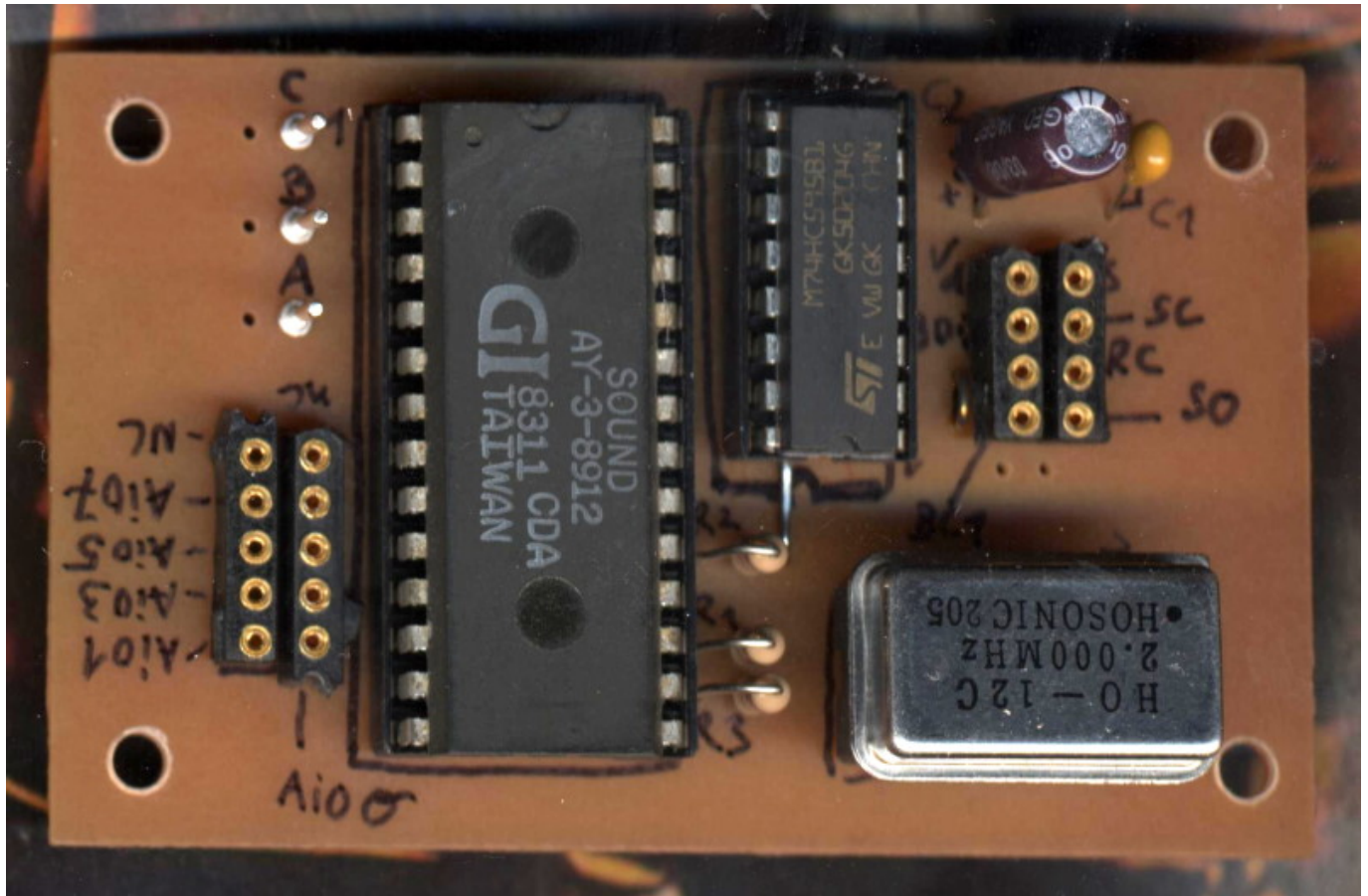


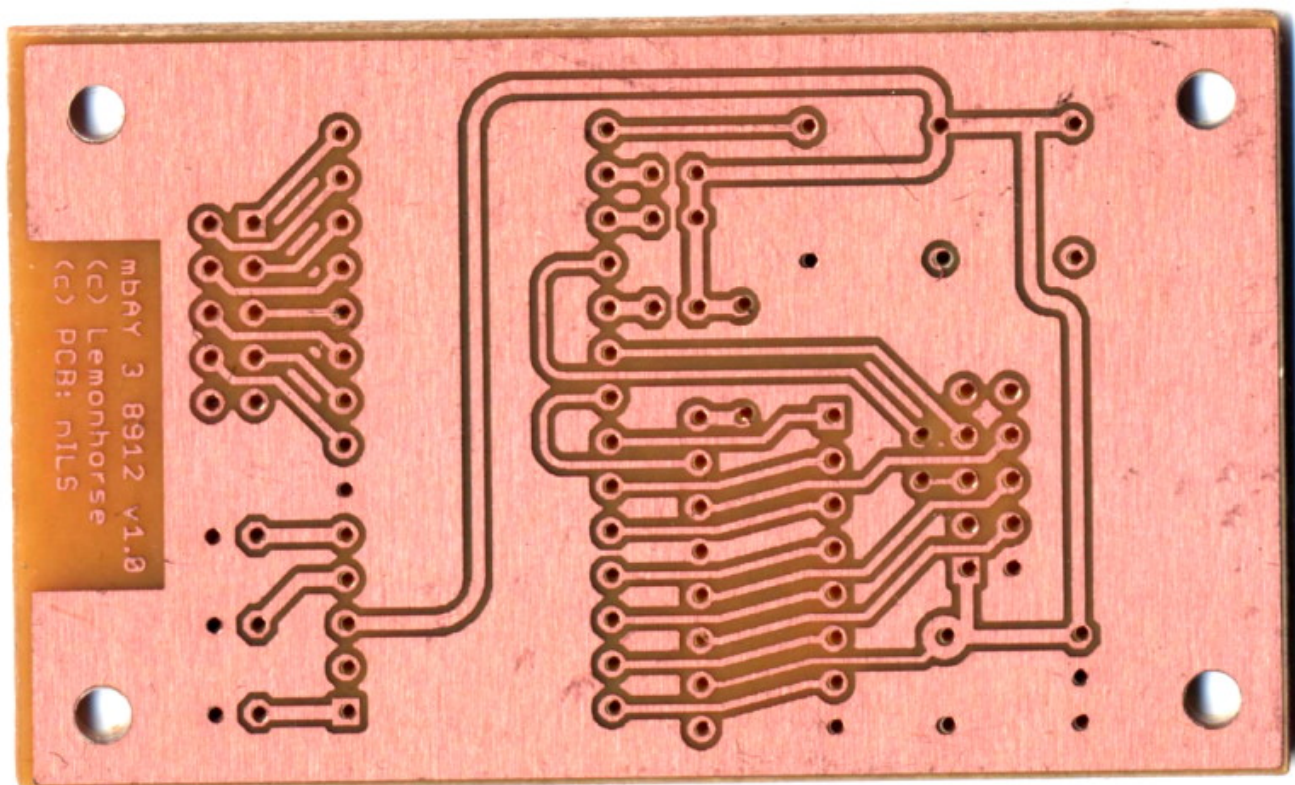
MB AY (YM) Boards

AY 3 8912 board



:





AY 3 8912 board PCB Layout (pdf)

[mbAY38912.pdf](#)

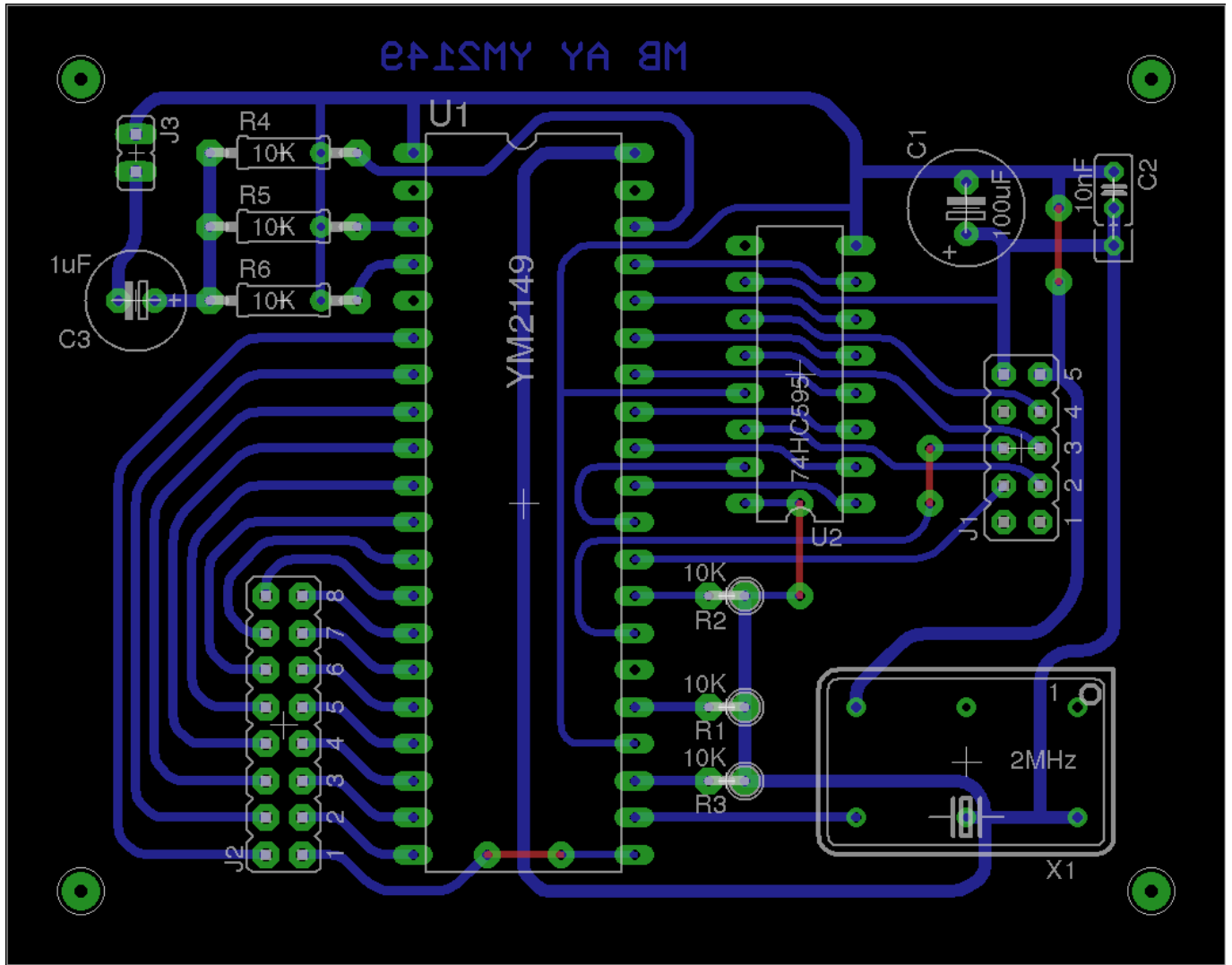
[mbay38912pcbpartlistv1.txt](#)

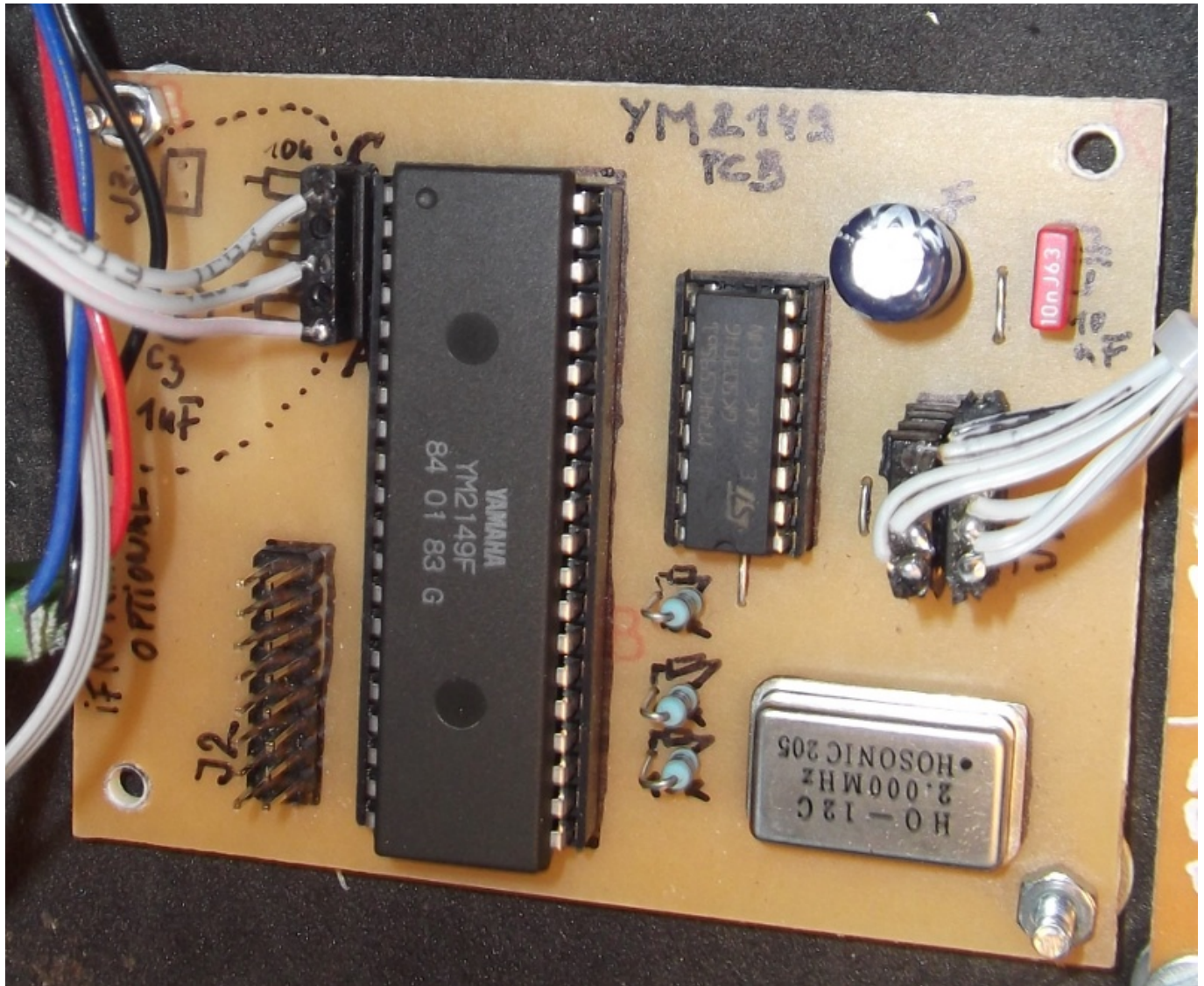
:::

::

:

YM2149 Board





[PartlistYM2149PCB.txt](#)

::
:

Obtain PCB's

The AY 3 8912, YM 2149 and the Mixer PCB are available at Mikes Onlineshop

http://www.mikes-elektronikseite.de/shop_englisch/index.htm

[05/2011]

From: <http://wiki.midibox.org/> - MIDibox

Permanent link: http://wiki.midibox.org/doku.php?id=midibox_ay_3_8912_board&rev=1305308170

Last update: 2011/05/13 17:36



