

MIDIBox AY 3 8912 - C64 Keyboard

The MIDIBox AY has no Encoders or Buttons - but a C64 Keyboard.

The Commodore 64 Keyboard



⇒ http://en.wikipedia.org/wiki/Commodore_64

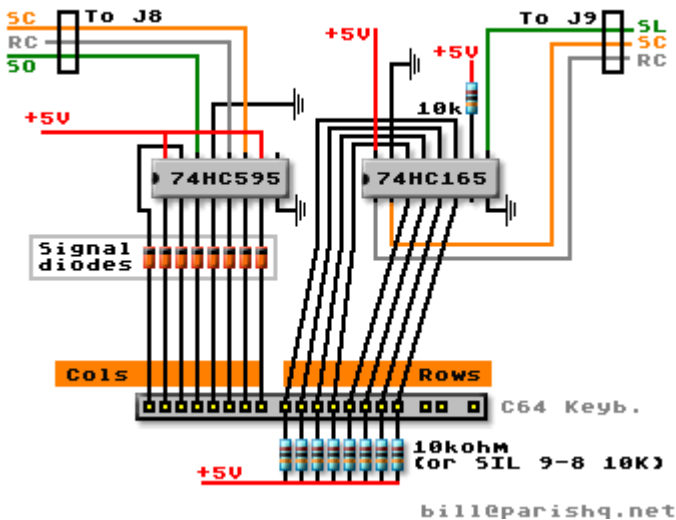
Interconnection (C64 Keyboard - MBHP DIN/DOUT)

The C64 Keyboard must be connected to the **MBHP DOUT** (DOUT1: J3(Pin D0 to D7)) Board and **MBHP DIN** (DIN1: J3/J4(Pin D0 to D7)) Board

See DOUTX4 ⇒ http://ucapps.de/mbhp/mbhp_doutx4.pdf

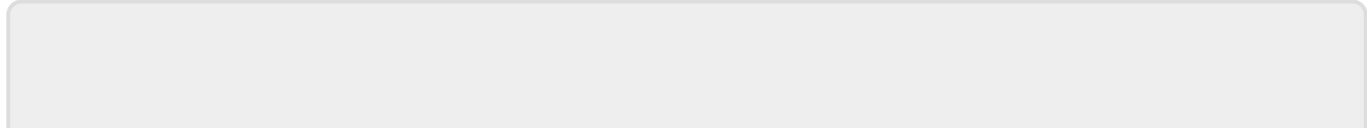
See DINX4 ⇒ http://ucapps.de/mbhp/mbhp_dinx4.pdf

C64 Keyboard connection to MBHP v2
<http://ucapps.de>



∴

See also **MidiBoxKB by bill** ⇒ [midiboxkb_-_using_a_c64_keyboard_as_input](#)



From:

<http://wiki.midibox.org/> - **MIDIbox**

Permanent link:

http://wiki.midibox.org/doku.php?id=midibox_ay_keyboard

Last update: **2010/03/29 14:07**

