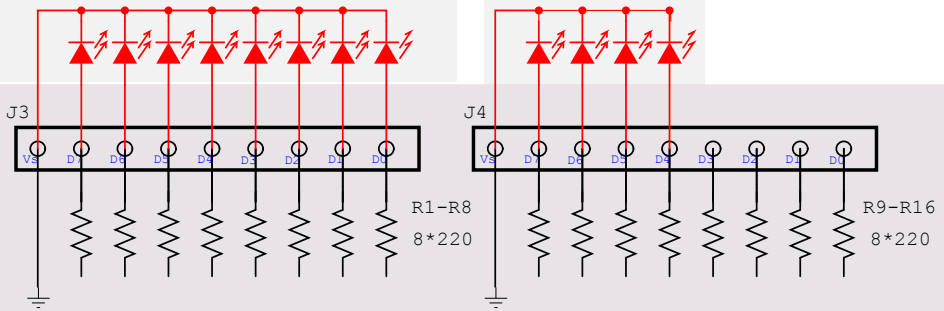


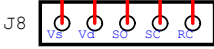
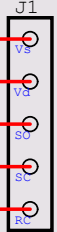
Custom display board

Control Surface

start of bar - beat 1
beat 2
beat 3
beat 4
beat 5
beat 6
beat 7
beat 8
Midi Clock
Midi Metronome
Play
Stop



DOUTX2



CORE

MIDIbox Hardware Platform
Visual Metronome
DOUT Pin Assignments