

R11□EC -

R16□EC-

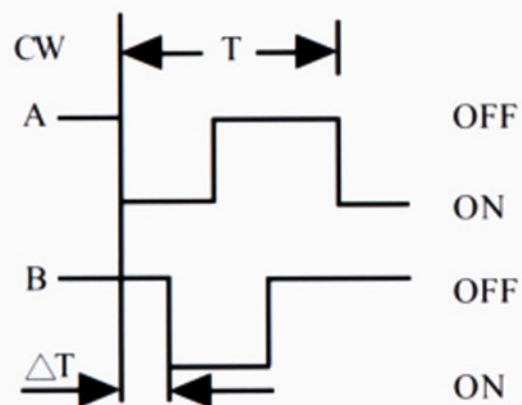
Mechanical characteristics: 機械的性能:

Total rotational angle 總旋轉角度	360°	
Click torque C.C. 力矩	5 ~ 19mN.m (51 ~ 194gf.cm)	4 ~ 20mN.m (40 ~ 204gf.cm)
Push pull strength 軸推拉強度	80N(8kgf)	70N(7kgf)

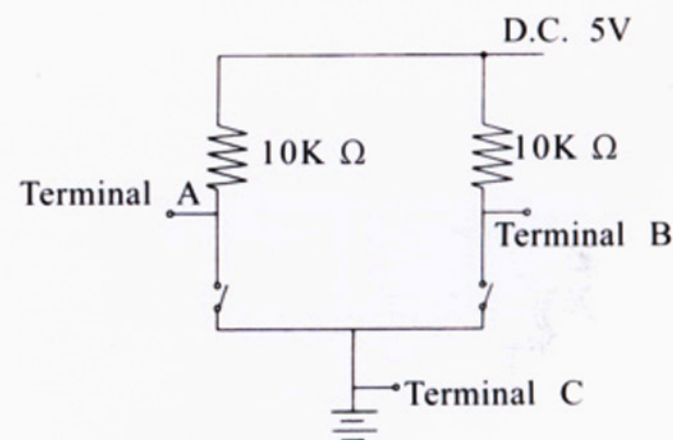
Electrical characteristics: 電氣的性能:

Ratings 額定值	5V DC,10mA	5V DC,0.5mA
Withstand voltage 耐電壓	300V AC	50V AC
Insulation resistance 絕緣電阻	more than 100M $\Omega$ at DC 300V	more than 10M $\Omega$ at DC 50V
Contact resistance 接觸電阻	1 $\Omega$ Max.	1 $\Omega$ Max.
Resolution 解相度	A. B, 15(30) Pulses/Rotation	A. B, 24 Pulses/Rotation
Phase-difference $\Delta T$ 相位差	0.25T $\pm$ 0.1T(Must be measured without detent)	

Out put signal 輸出信號 :



Circuit drawing 電路圖 :



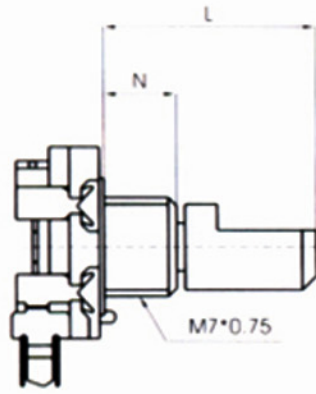
Durability:耐久的性能:

Rotational life 旋轉壽命	15,000 cycles	100,000 cycles
-------------------------	---------------	----------------

Type of shaft: 軸的型式:

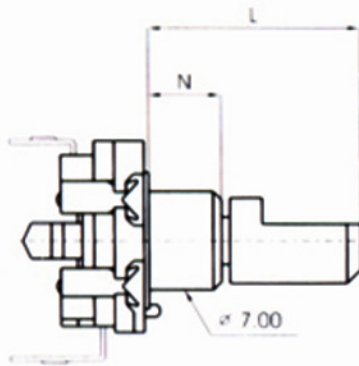
METAL SHAFT

Horizontal



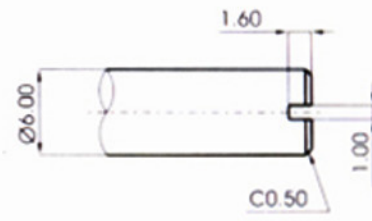
Y	1	2
N	5	7

Vertical



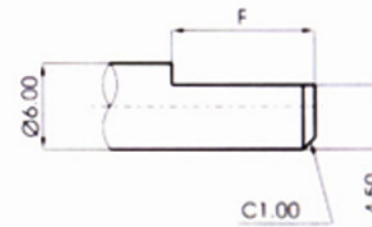
Y	3	2
N	3.5	7

S TYPE:



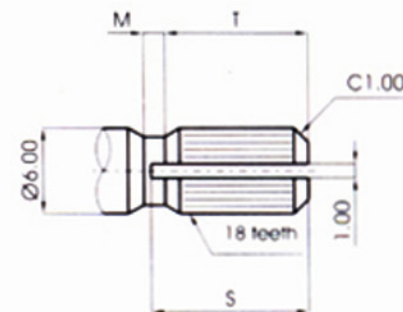
X	Q	R	S	T		
L	15	20	25	30		

F TYPE:



X	A	B	C	D		
L	15	20	25	30		
F	7	12	12	12		

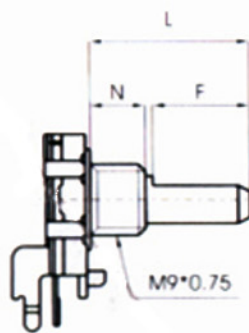
KQ TYPE:



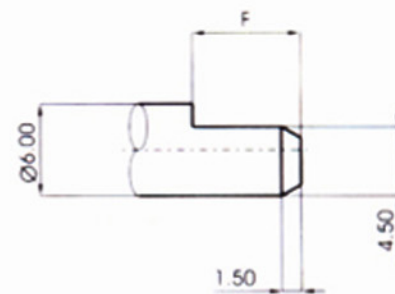
X	2	3	4	5		
L	15	20	25	30		
T	6	10	10	12		
M	1	1	2	4		
S	7	11	11	14		

INSULATED SHAFT

Horizontal



F TYPE:

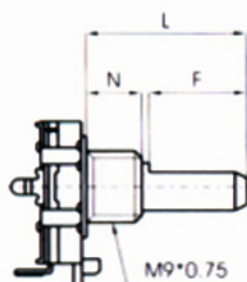


Y	1	2
N	5	7

for Y=1

X	A				
L	15				
F	7				

Vertical



for Y=2

X	B	C			
L	20	25			
F	12	12			