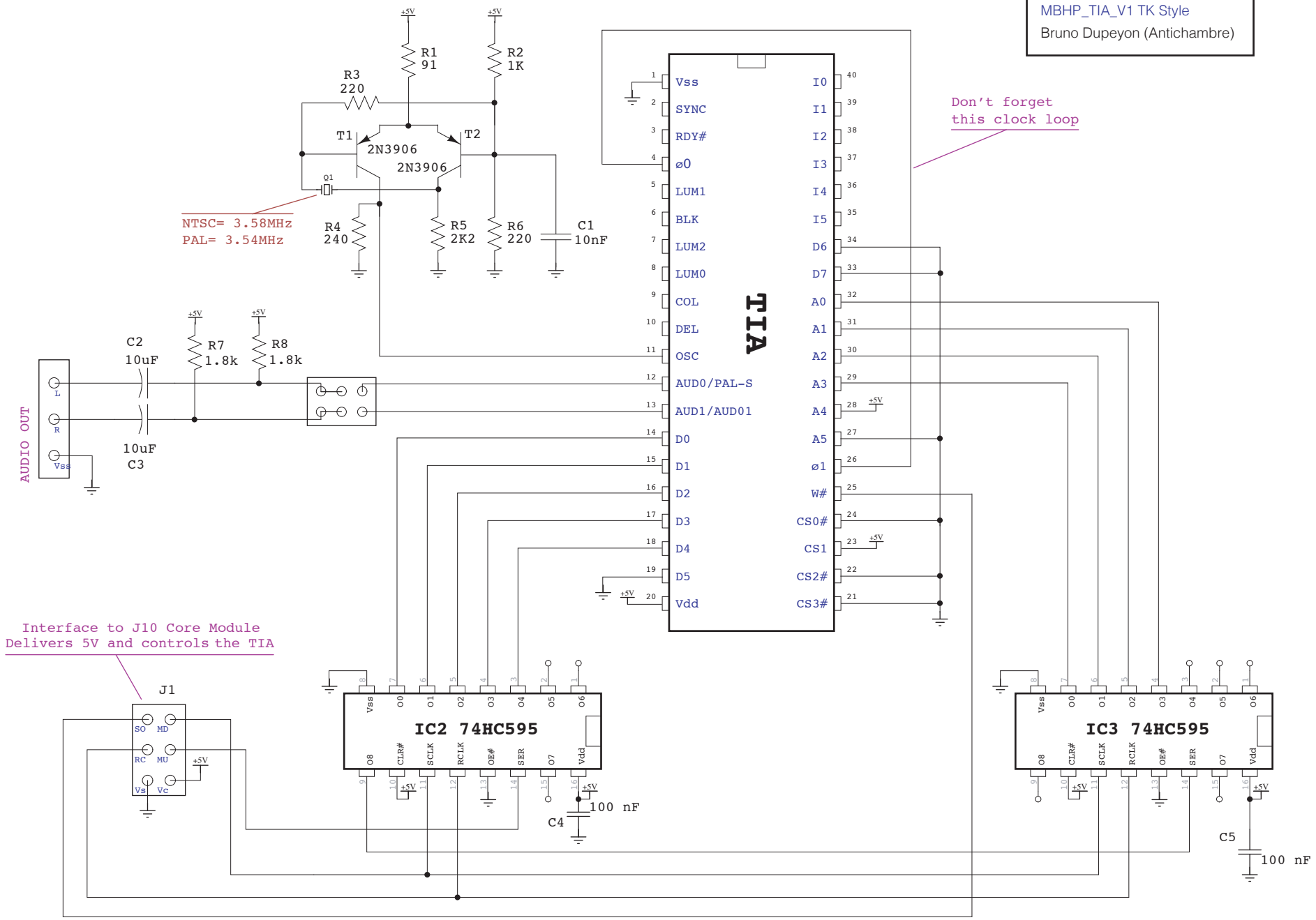


MIDIbox TIA  
 MBHP\_TIA\_V1 TK Style  
 Bruno Dupeyon (Antichambre)



NTSC= 3.58MHz  
 PAL= 3.54MHz

Don't forget  
 this clock loop

Interface to J10 Core Module  
 Delivers 5V and controls the TIA

J1

IC2 74HC595

IC3 74HC595

C4 100 nF

C5 100 nF