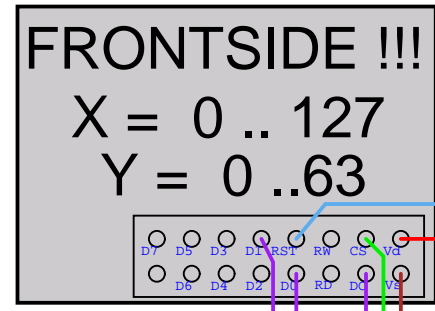
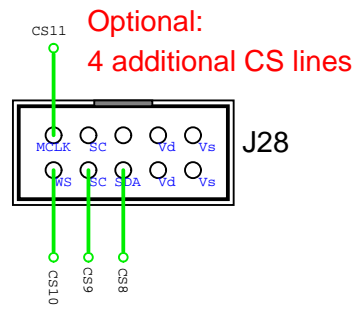
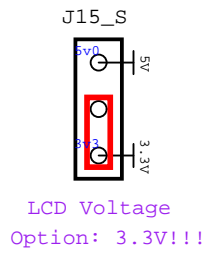
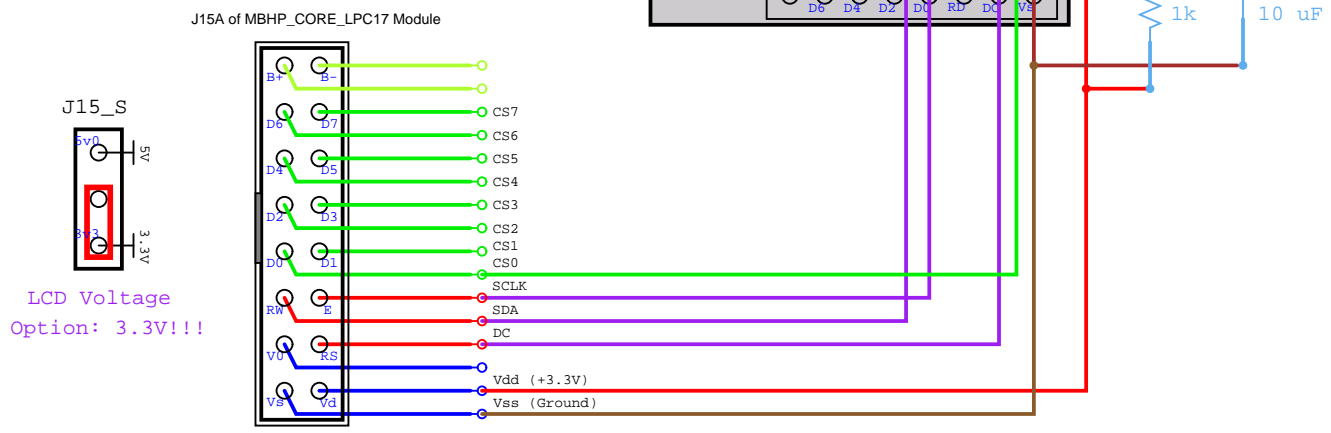


NOTE: The frontside of the LCD is shown here!
 The display has to be flipped for soldering.
 X=0 is the leftmost position.



BS0, BS1 and BS2 at backside
 of LCD have to be soldered to GND!!!



MIDibox Hardware Platform
 MIOS32 SSD1306 --- Connection to ALIENTEK Module!
 (C) T. Klose 2011-05-08