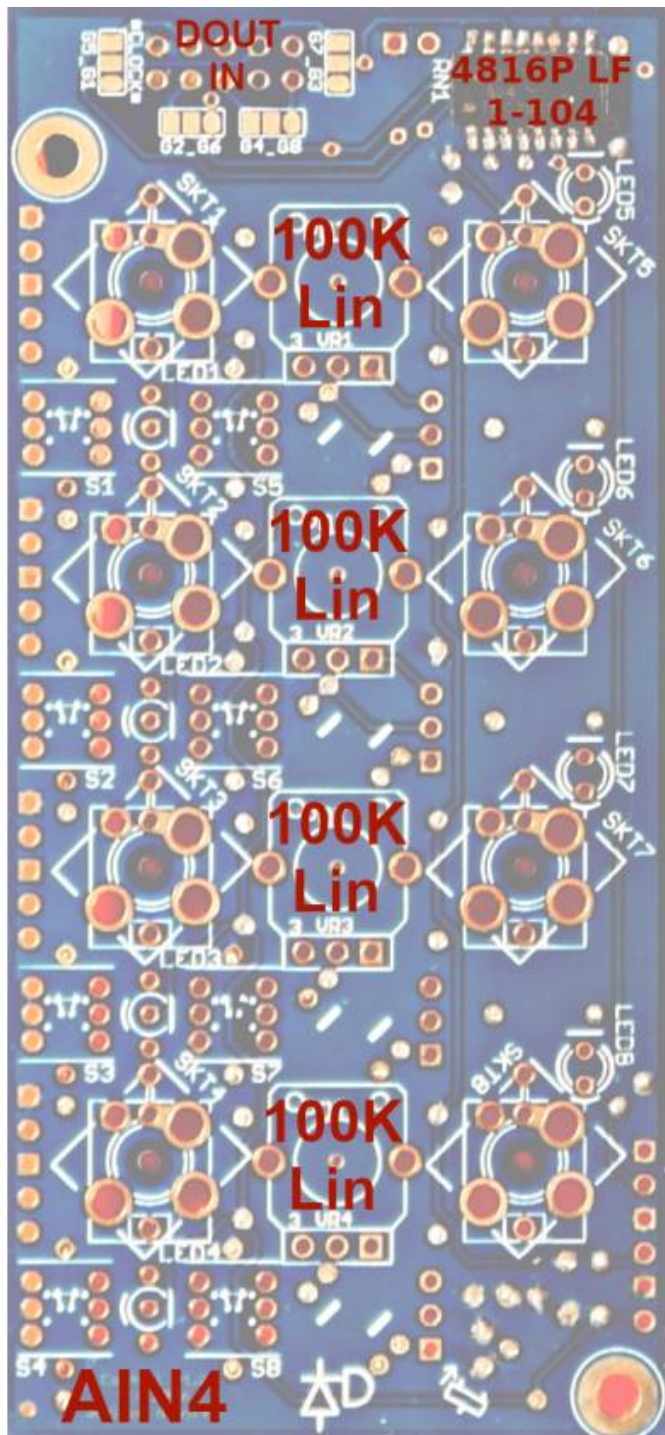
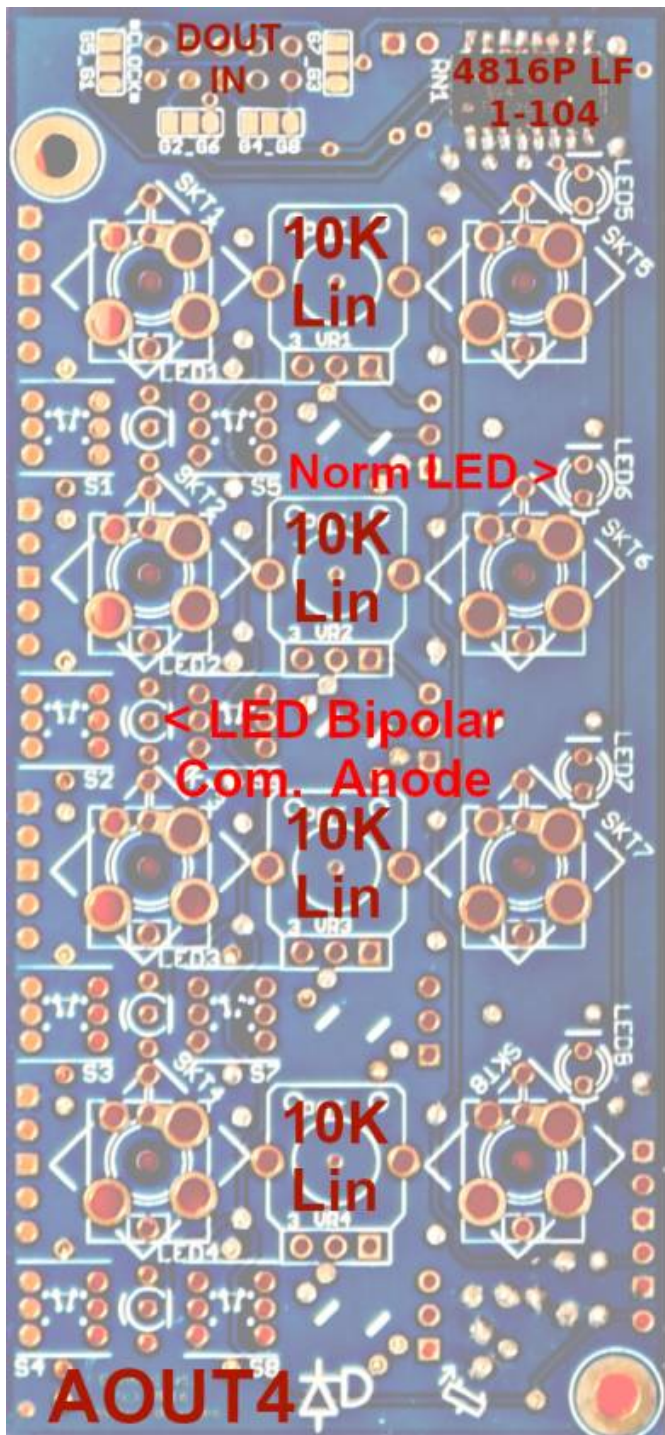
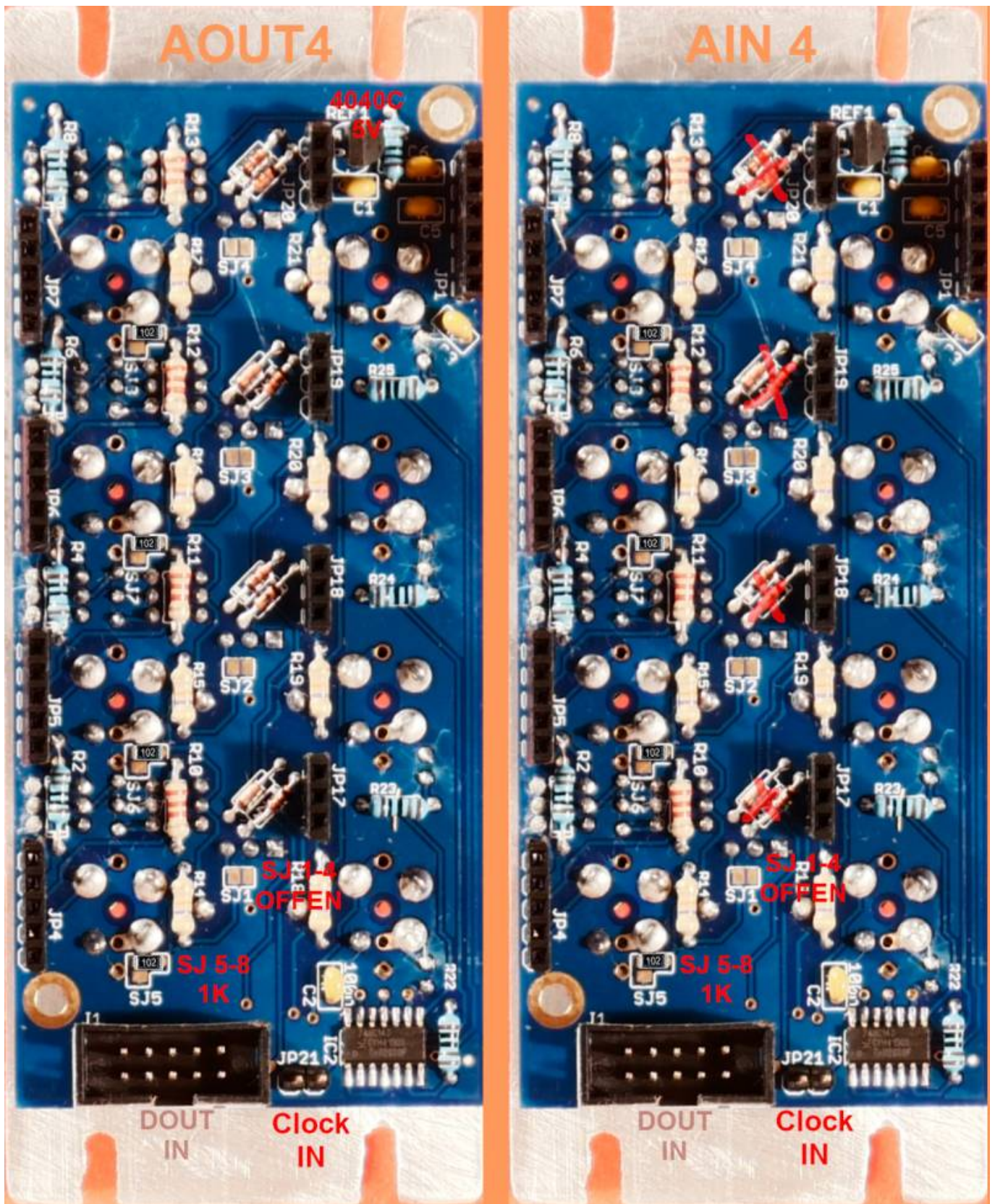


Control Panel for AIN_4 v1.2

AIN_4 v1.2 TOP

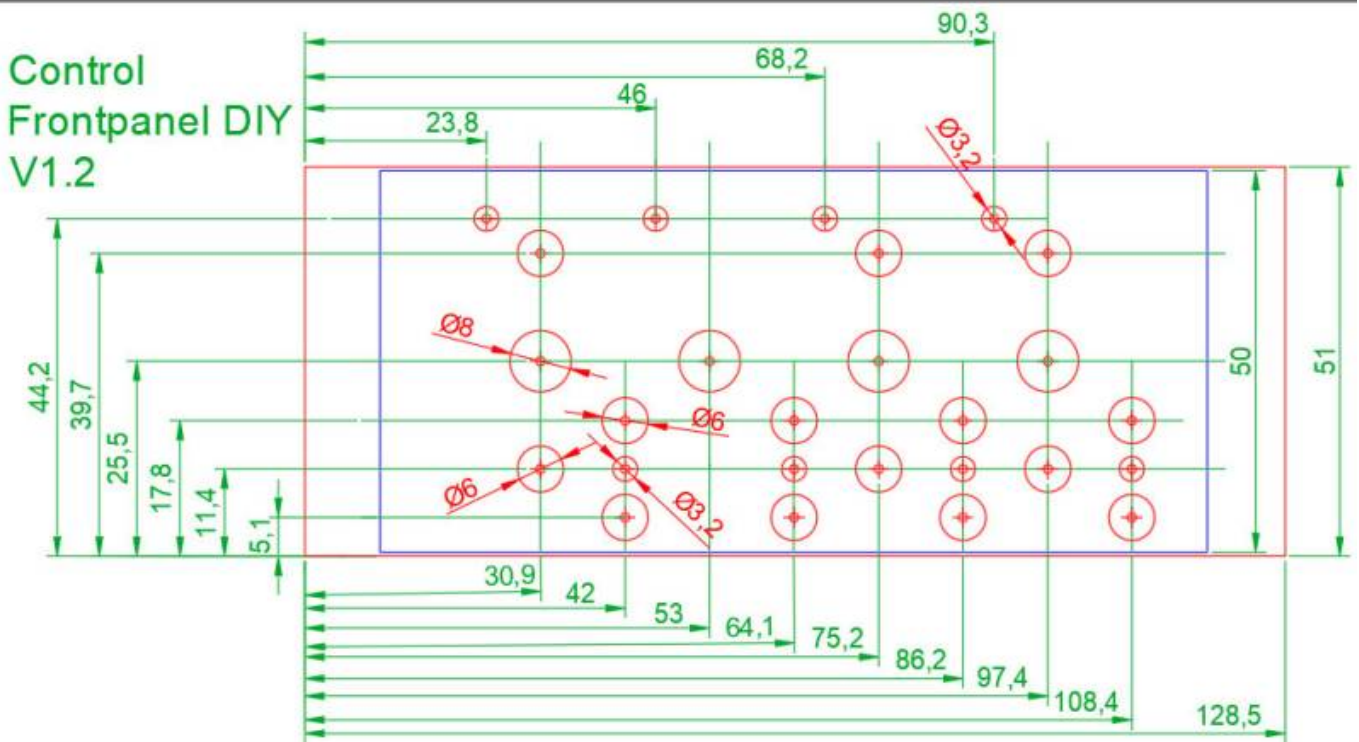
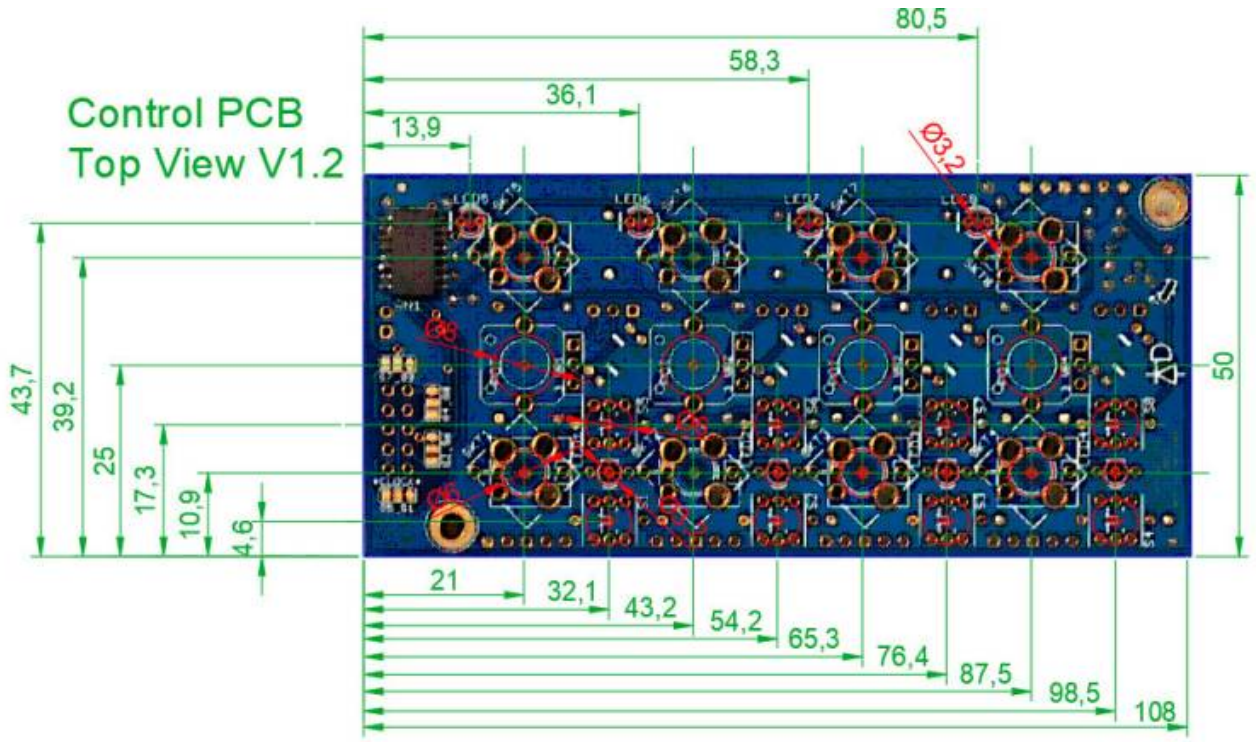


AIN_4 v1.2 BACK



Front-Panel for AIN_4 v1.2

i measured the PCB, and made a drawing in order to create a hand-drilled Frontpanel... so dont take the values as 100% true...:





From:
<https://wiki.midibox.org/> - **MIDIbox**

Permanent link:
https://wiki.midibox.org/doku.php?id=control_board&rev=1641435862

Last update: **2022/01/06 02:24**

