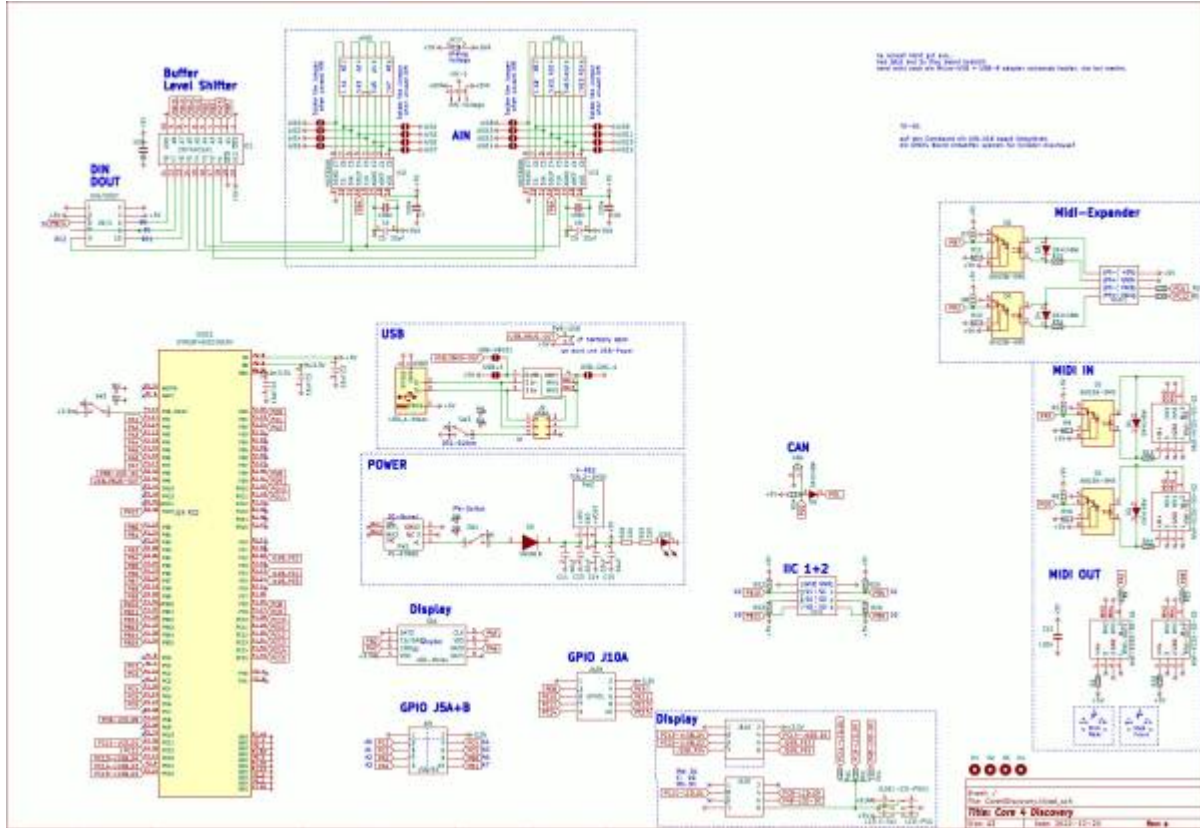


Schematic

[core4disc-schematic.pdf](#)



i think there is a error - PB2 is not connected to the CORE MODULE



Building and BOM

parts off it is pick and place the other part is handsolder

BOM

the LCSC Parts are done with the Pick and place - so no need to order...

Comment	Designator	LCSC	Lot
SN74HC541	IC1	C116811	1
1K	Ra1,Rb1,Rc1,R5,R6,R7,R8,R24	C11702	8
J10B	GPIO1	C124391	1
AIN	J5A/B1	C124391	1
DIN/DOUT	J8/1	C124391	1
MCP3208	IC2,IC3	C16939	2
10	R17	C17902	1

Comment	Designator	LCSC	Lot
6N138-SMD	O1,O2,O3,O4	C188666	4
Pin-Header-2x4-SMD	AIN0,AIN1	C192300	2
J4A+B	IIC1	C192300	1
J15A	JA15	C192300	1
J10B	JB10	C192300	1
-	Midi1	C192300	1
LED	LED1	C2286	1
220	R1-4,R13-21	C25091	12
2K2	R22,R23,R25,R26	C25879	4
4K7	R9,R10,R11,R12	C25900	4
100n	C4,C6,C7,C8,C10,C12	C307331	6
10uF	C1-5,C9,C11,C13-15	C440198	9
uSD-Molex	SD1	C585350	1
1N4148W	D1,D2,D3,D4,D6	C81598	5

The Mouser parts that have to be soldered by hand - you have to order them on your own...:

Comment	Designator	MouserNumber	Lot
PW2	TSR_2-2450	495-TSR2-2450	1
USB1	USB-B-Socket	538-67068-8000	1
D5	1N5818	583-1N5818-T	1
Midi1	-	649-1012938390801ALF	1
Midi-IN1-2, Midi-OUT1-2	Midi-KCDX-5S-S2	806-KCDX-5S-S2	4
DISC1	STM32F4DISCOVERY	511-STM32F407G-DISC1	1
PW1	PJ-079BH	490-PJ-079BH	1
SW1-3	Power	611-1101M2S4AV2BE2	3
USB3	USB_A-Molex	538-89485-8000	1

Order-List

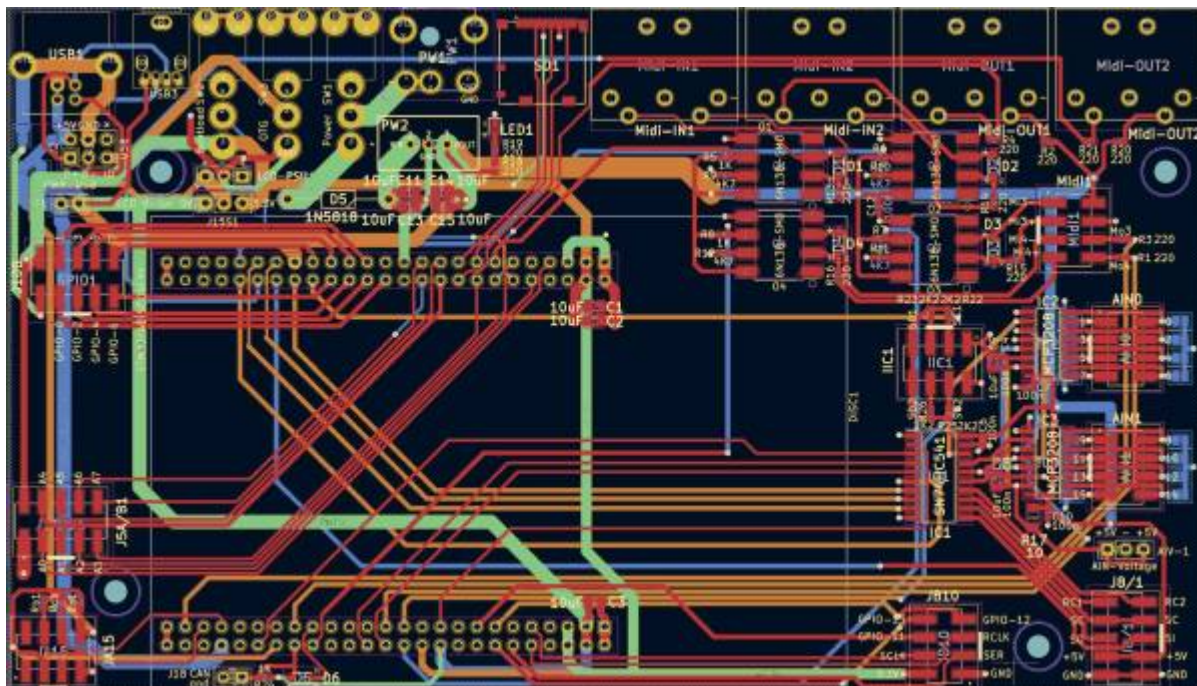
copy following list into this [mouser.com-Link](https://www.mouser.com)

```
495-TSR2-2450|1
538-67068-8000|1
583-1N5818-T|1
649-1012938390801ALF|1
806-KCDX-5S-S2|4
511-STM32F407G-DISC1|1
490-PJ-079BH|1
611-1101M2S4AV2BE2|3
538-89485-8000|1
```

Order from Reichelt:

2x [2x25Pin Female 2,54mm Heades](#)

- 1x 1x20Pin Male 2,54mm Header
- 1x 2x10Pin Male 2,54mm Header
- 5x 2x5Pin FeMale 2,54mm Header
- 4x 2x4Pin Female 2,54mm Header



Software

1. If the Discoveryboard is a virgin-one then upload the bootloader [via stm-utility](#)
2. Upload the [Bootloader](#)
3. Disconnect and Reconnect the USB-Cable to your PC, then type "help" into the MIOS-Terminal, this should print out the actual Board-Configuration, if this happens then:
4. Type following commands:

```
set lcd_type 0x84\\  
set lcd_num_x 26\\  
set lcd_num_y 1\\  
set lcd_width 128\\  
set lcd_height 64\\  
store\\
```

at least this has to be done when using this core for [Triggermatrix5](#)

To Do

It works! next variant will be, without Discoveryboard and the STM32F407vgt6 directly soldered to the board...

Community users working on it

- **Phatline** = PCB & Schematic, UI-Programming, Documentation...

Just let a Private message on the forum to user already involved.
or join the forum: [Triggermatrix 5](#)

From:

<https://wiki.midibox.org/> - **MIDIbox**

Permanent link:

<https://wiki.midibox.org/doku.php?id=core4disc&rev=1676209342>

Last update: **2023/02/12 13:42**

