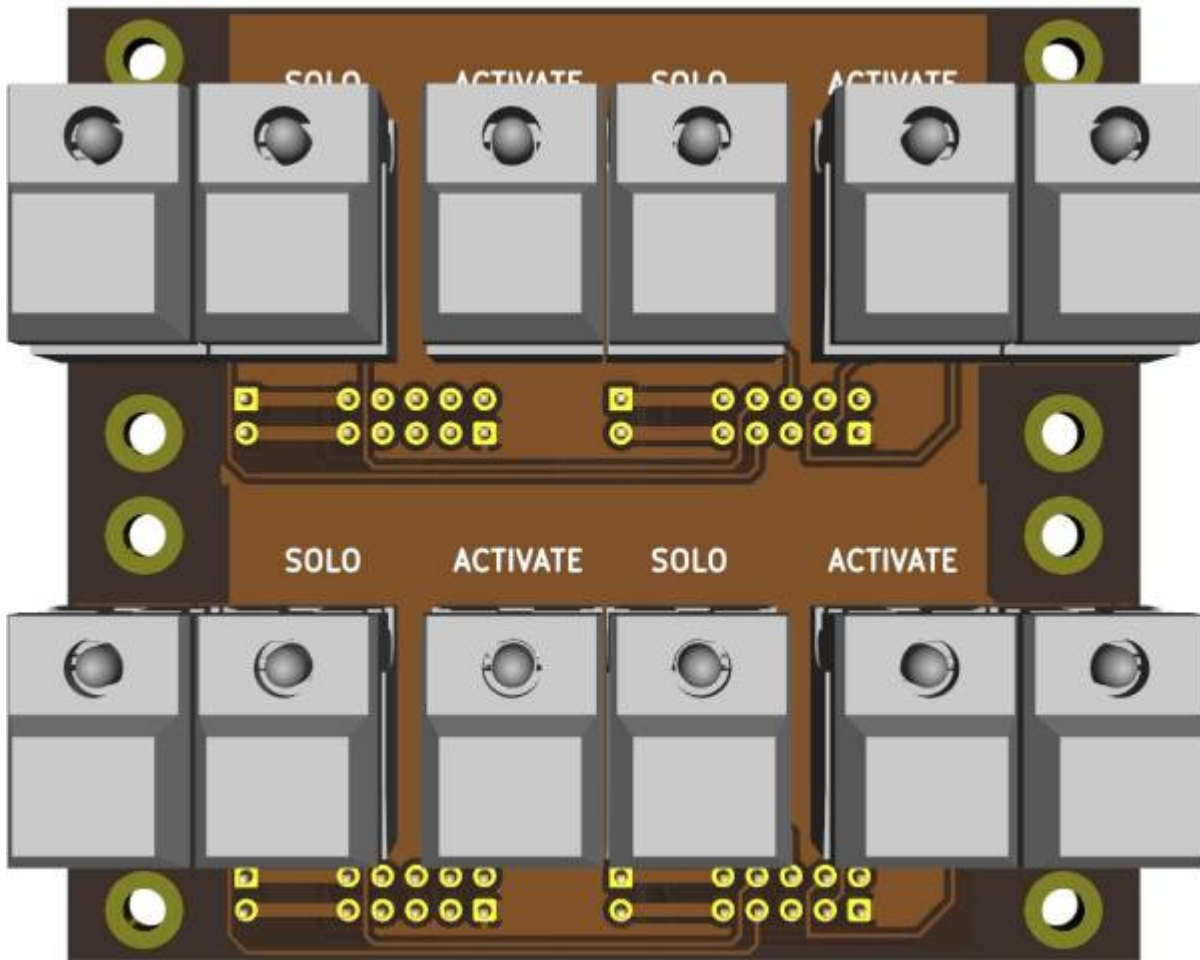
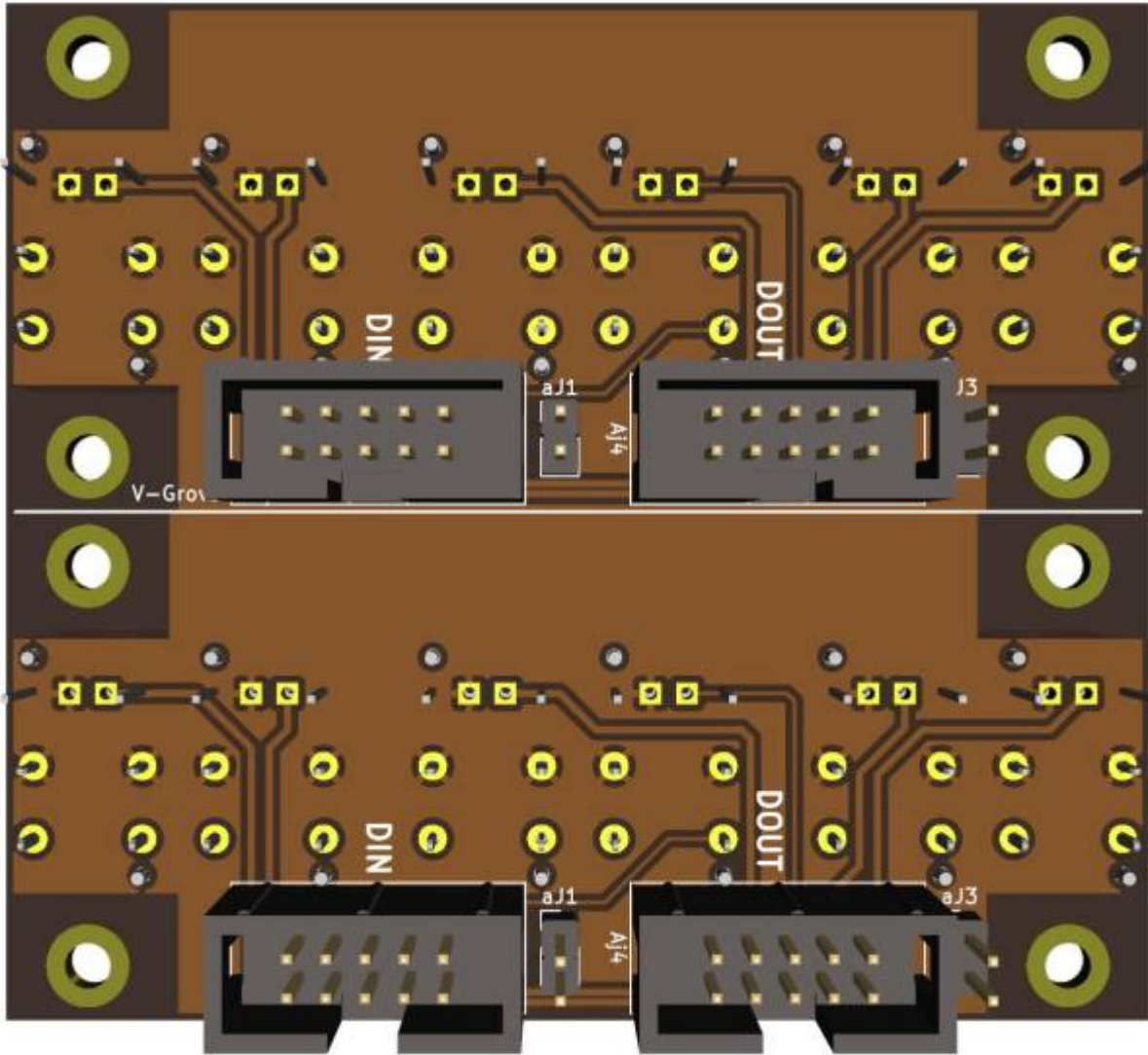


DAW-BTN - Board



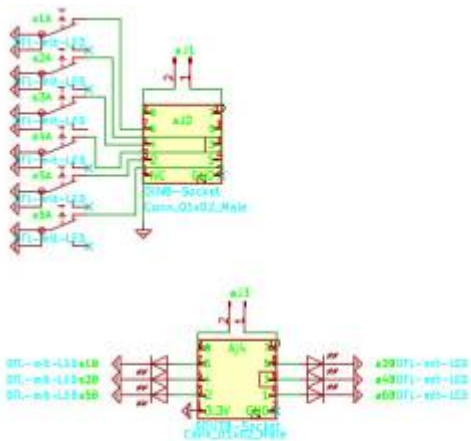


It is one part to build a DAW-controller, it can be used multiple times
it needs external din and dout modules (doutx4,dinx4 for example)

Here are the gerberfiles for production - i made it with [JLCPCB](#)
[daw-encoder-display-gerber.zip](#)

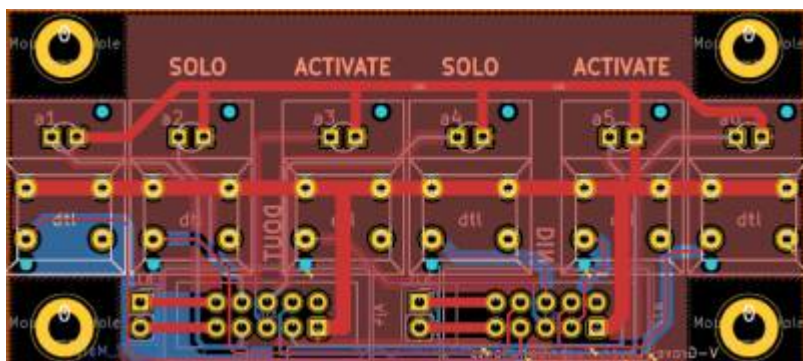
They are not testet at the moment, i am waiting for the PCBs...

Schematic



Michael Sigl
 www.sigl.at
 Sheet: /
 File: DAW-BTN.kicad_sch
Title: DAW-Buttons
 Size: A5 Date: 2022-07-02 Rev: a

Building and BOM



To Do

Waiting for the PCBs, Test them, make a Frontpanel.

Community users working on it

- **Phatline** = PCB & Schematic, UI-Programming, Documentation...

Just let a Private message on the forum to user already involved.
 or join the forum: [daw-controller-ableton](https://www.midi-boards.com/forum/10-daw-controller-ableton/)

From:

<https://wiki.midibox.org/> - **MIDIbox**

Permanent link:

<https://wiki.midibox.org/doku.php?id=daw-btn&rev=1656801648>

Last update: **2022/07/02 22:40**

