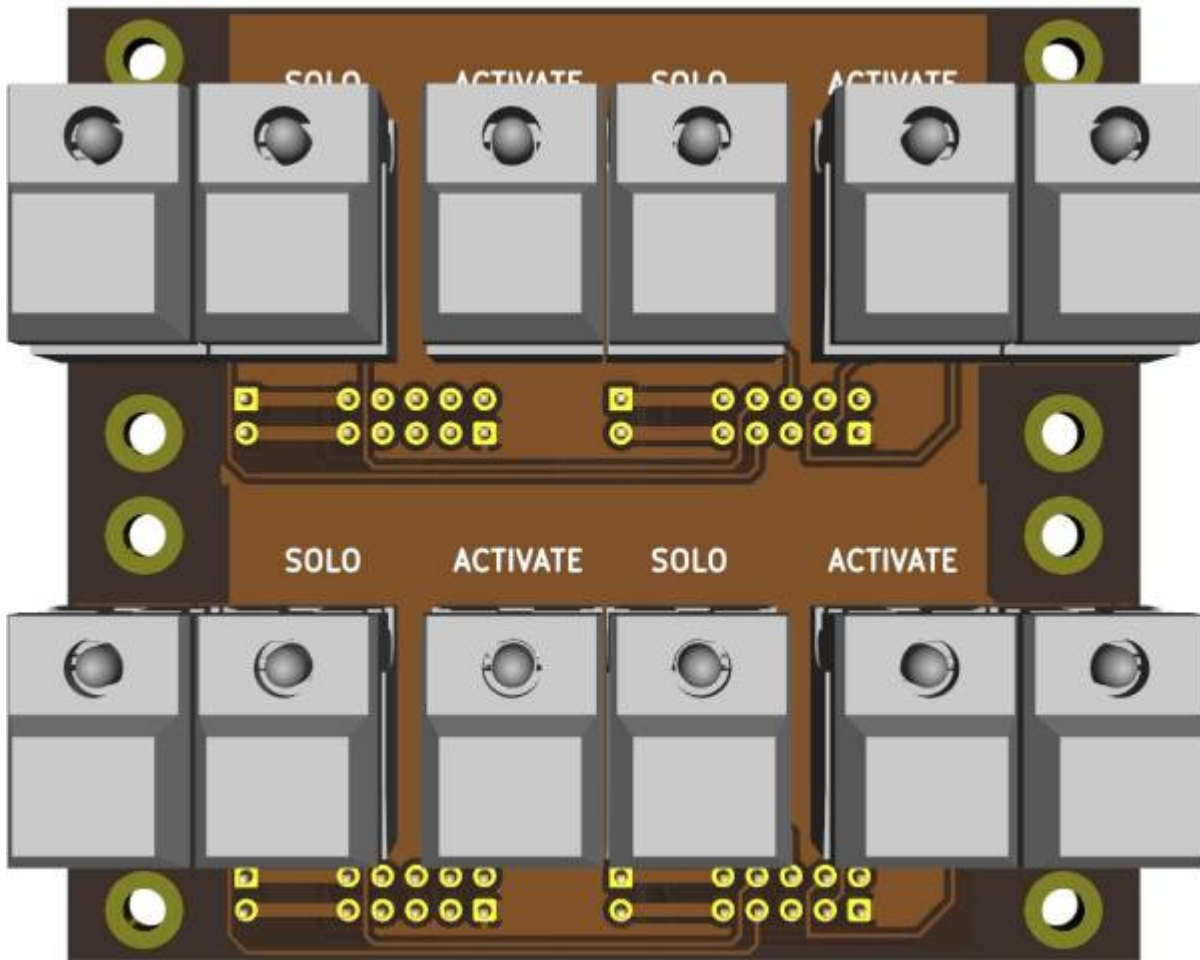
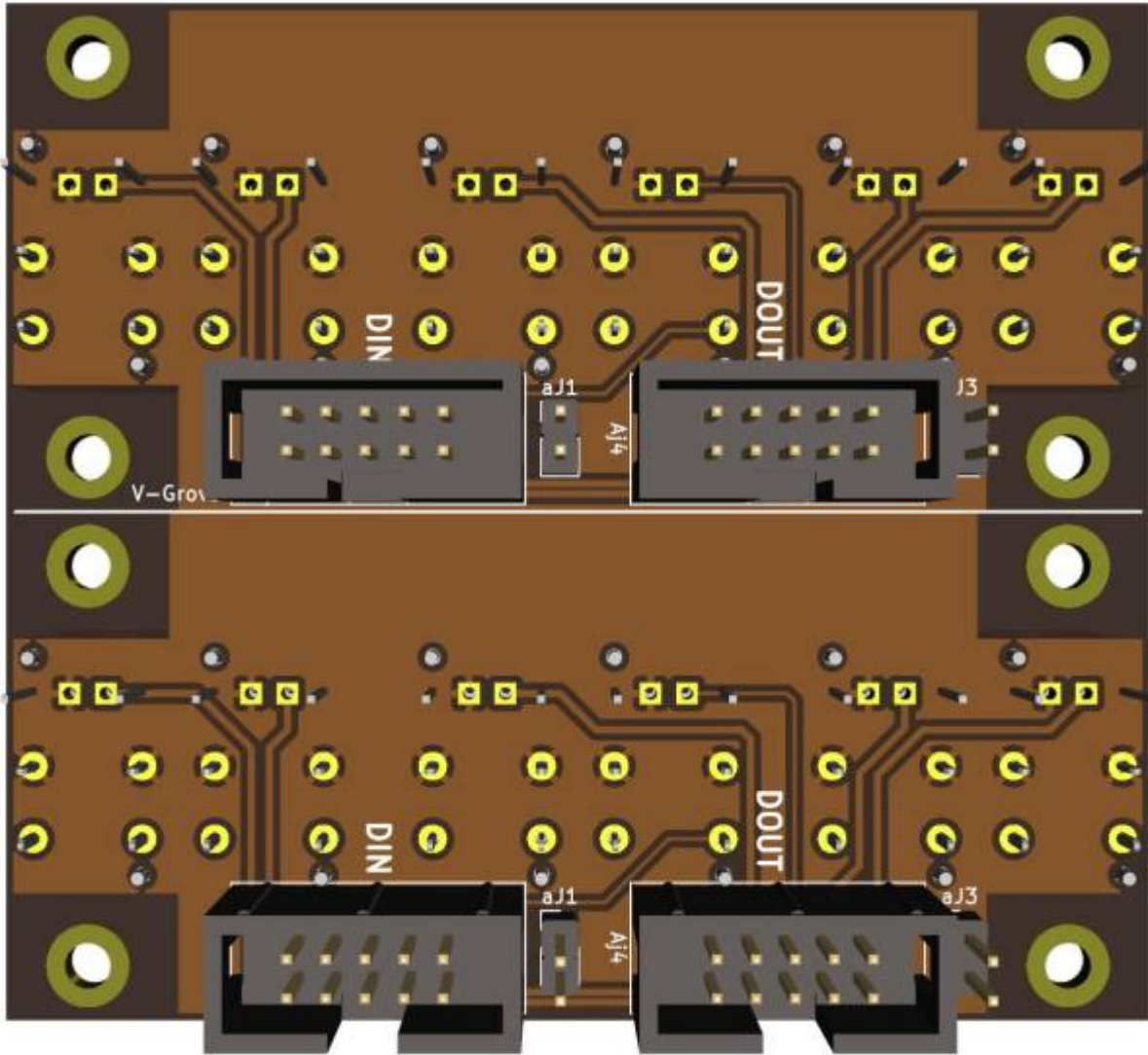


# DAW-BTN - Board



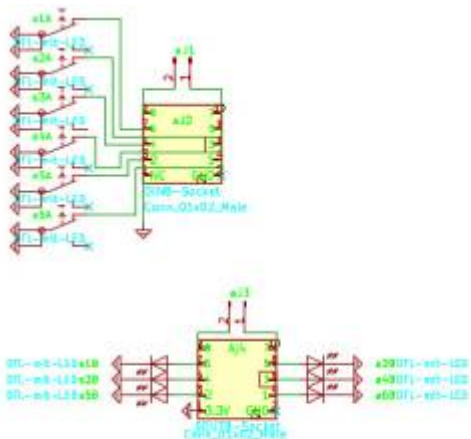


**It is one part to build a DAW-controller, it can be used multiple times**  
it needs external din and dout modules (doutx4,dinx4 for example)

Here are the gerberfiles for production - i made it with [JLCPCB](#)  
[daw-btn-gerber.zip](#)

They are not testet at the moment, i am waiting for the PCBs...

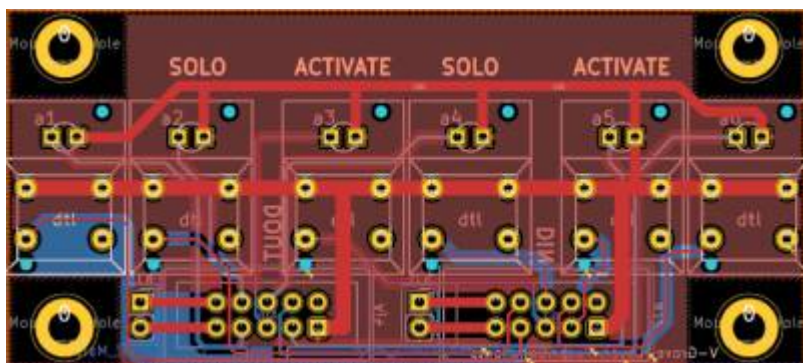
## Schematic



Michael Sigl  
www.sigl.at

Sheet:	
File:	DAW-BTN.kicad_sch
<b>Title:</b>	<b>DAW-Buttons</b>
Size:	A5
Date:	2022-07-02
Rev:	a

## Building and BOM



## To Do

Waiting for the PCBs, Test them, make a Frontpanel.

## Community users working on it

- **Phatline** = PCB & Schematic, UI-Programming, Documentation...

Just let a Private message on the forum to user already involved.  
or join the forum: [daw-controller-ableton](https://www.midiwiki.com/forum/10-daw-controller-ableton)

From:

<https://wiki.midibox.org/> - **MIDIbox**

Permanent link:

<https://wiki.midibox.org/doku.php?id=daw-btn&rev=1656801724>

Last update: **2022/07/02 22:42**

