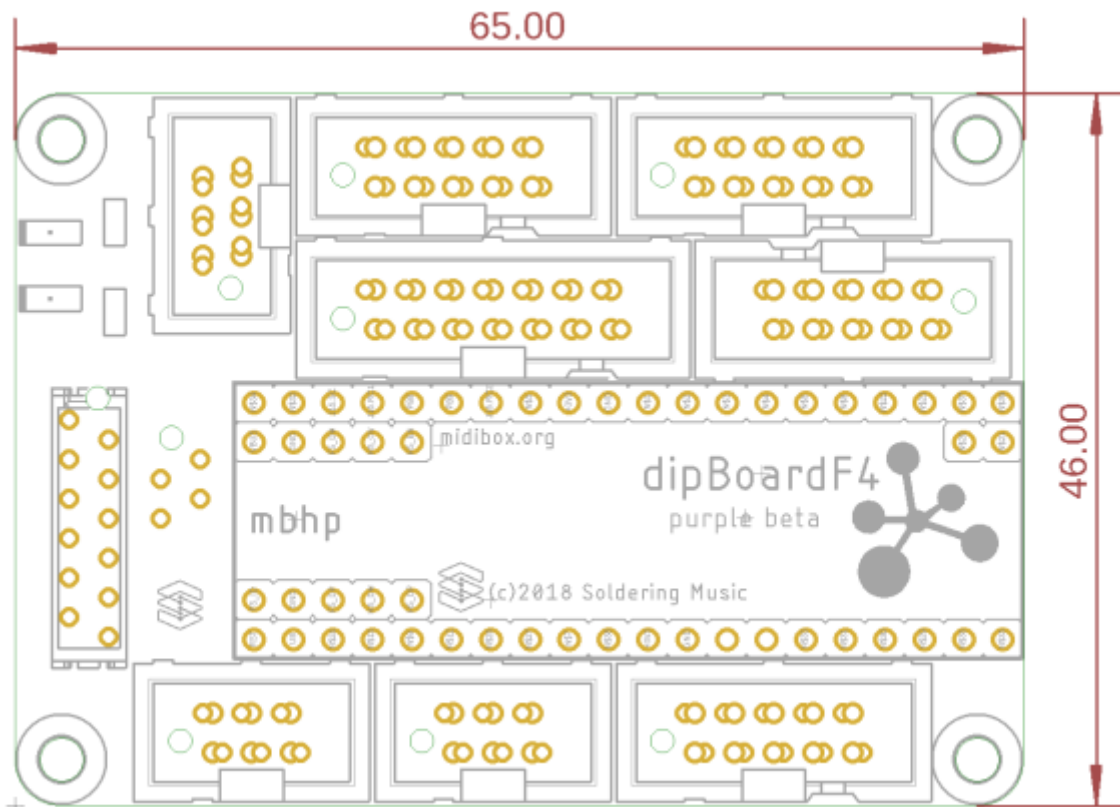


# dipBoard32

MIDIbox Hardware Platform extension for dipCore32.

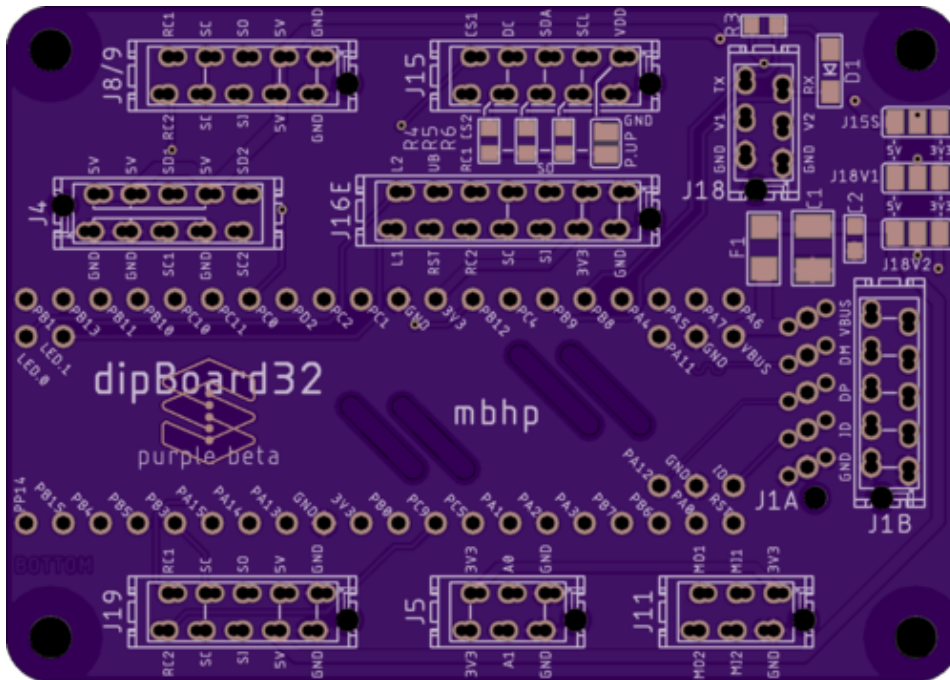
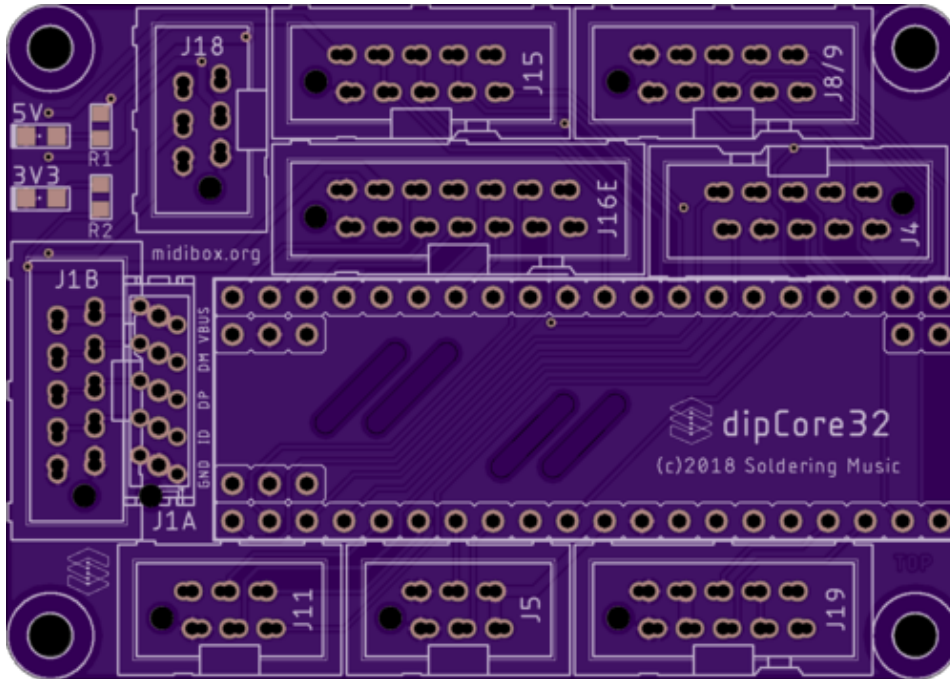
## features

## dimension

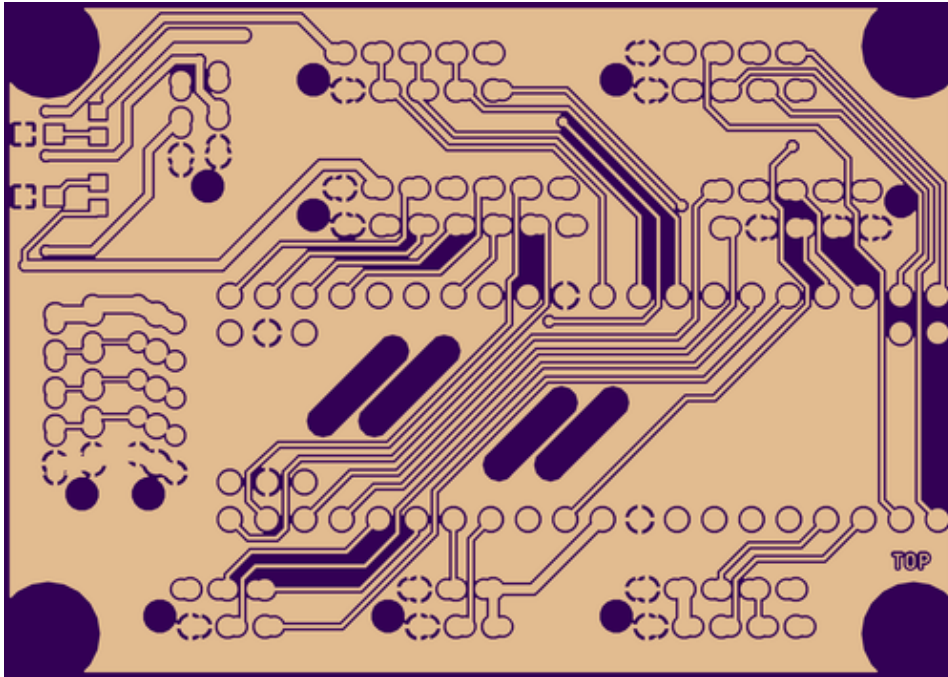


## PCB

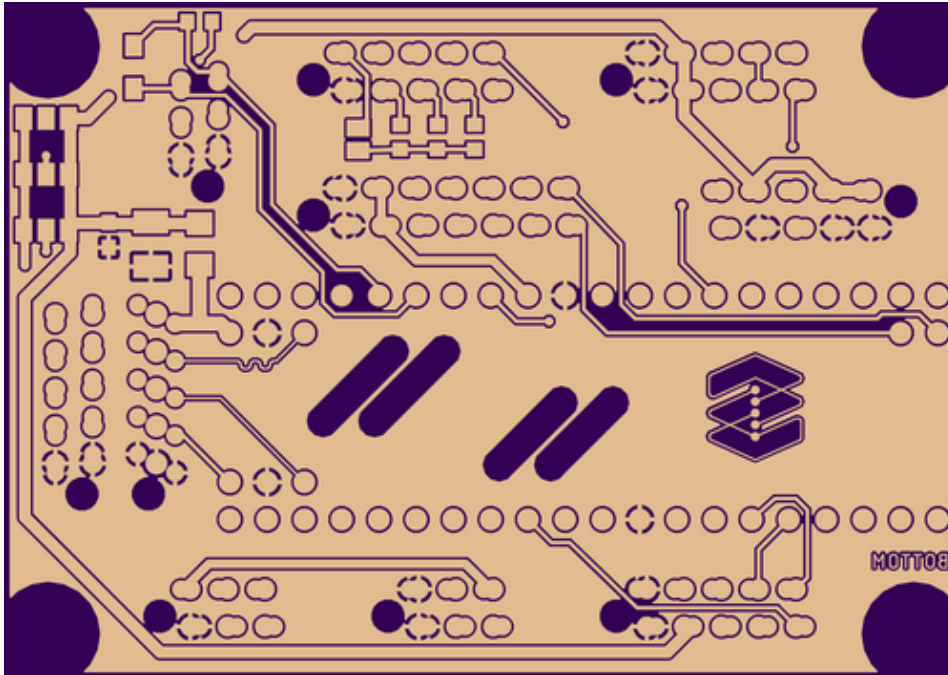
todo



Top copper



Bottom



From:

<https://wiki.midibox.org/> - **MIDIbox**

Permanent link:

<https://wiki.midibox.org/doku.php?id=dipboard32&rev=1535627629>

Last update: **2018/08/30 11:13**

