

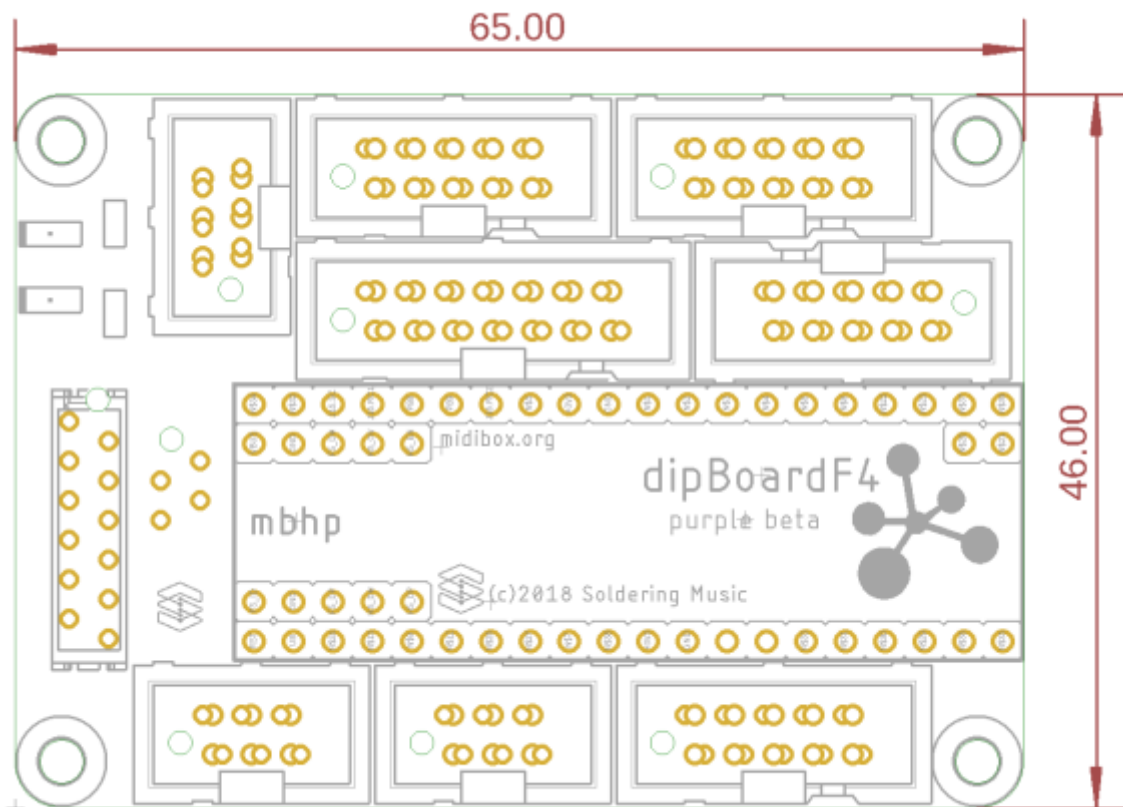
dipBoard32

MIDIbox Hardware Platform extension for dipCore32.

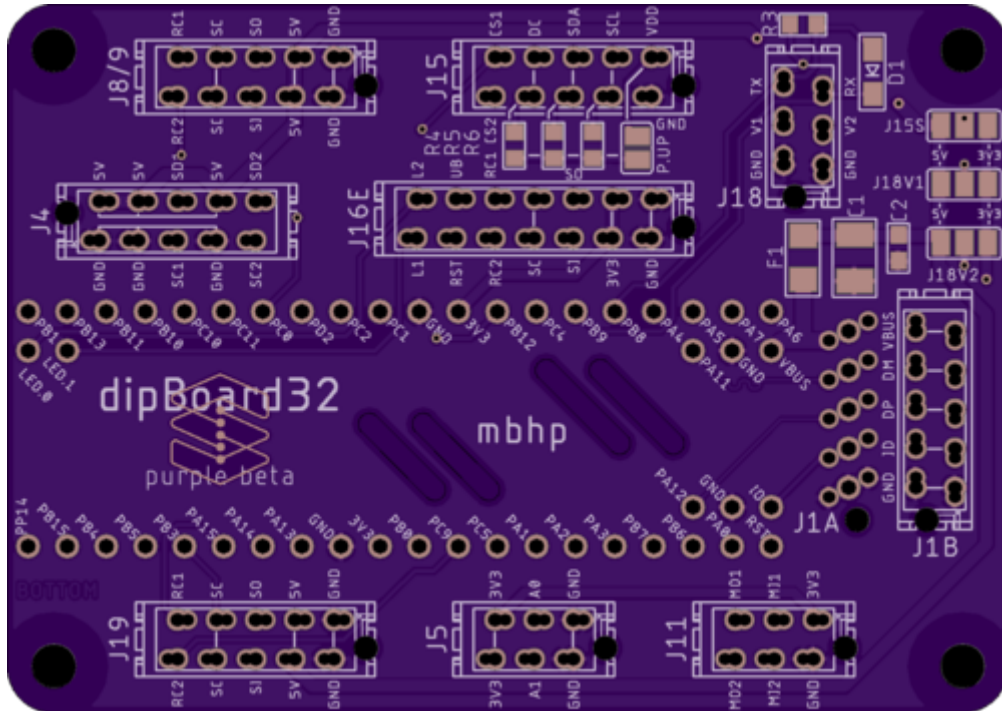
features

- Very small size 65x46mm(less than your credit card).
- Very low profile.
- Your application board can be stacked on bottom with 'Micro-match' connectors.
- The [dipCore32](#) can be installed on the two side.
- Provides all the most important MIOS32 regular and legacy ports.
- Compatible with Andy's USB and SD cards.

dimension



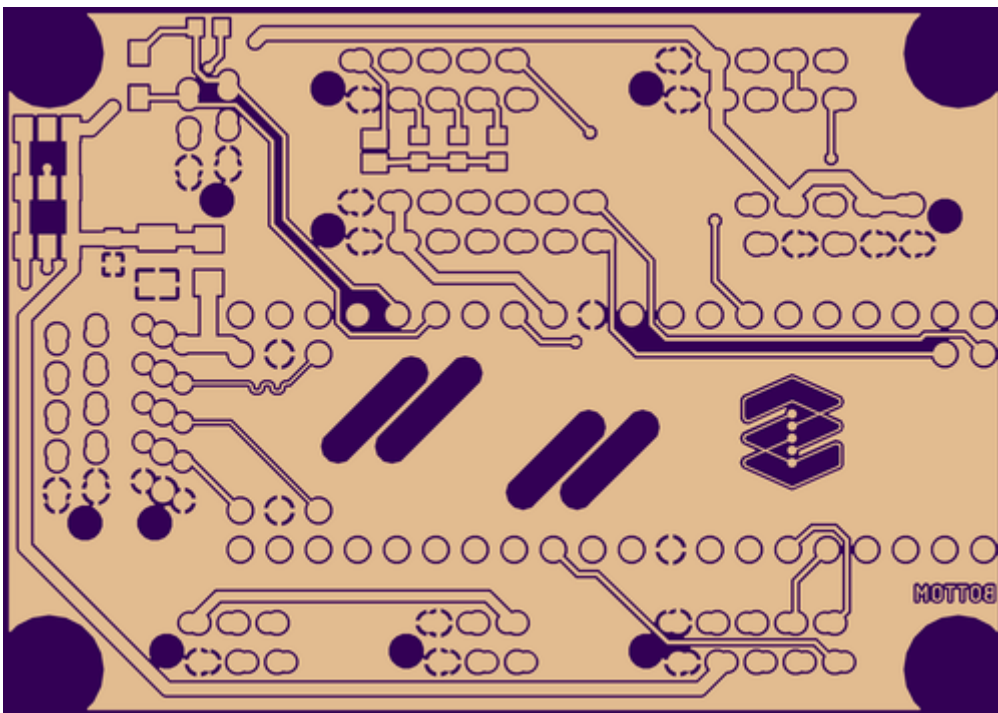
PCB



Top copper



Bottom



ToDo

From: <https://wiki.midibox.org/> - **MIDIbox**

Permanent link: <https://wiki.midibox.org/doku.php?id=dipboard32&rev=1535628232>

Last update: **2018/08/30 11:23**

