

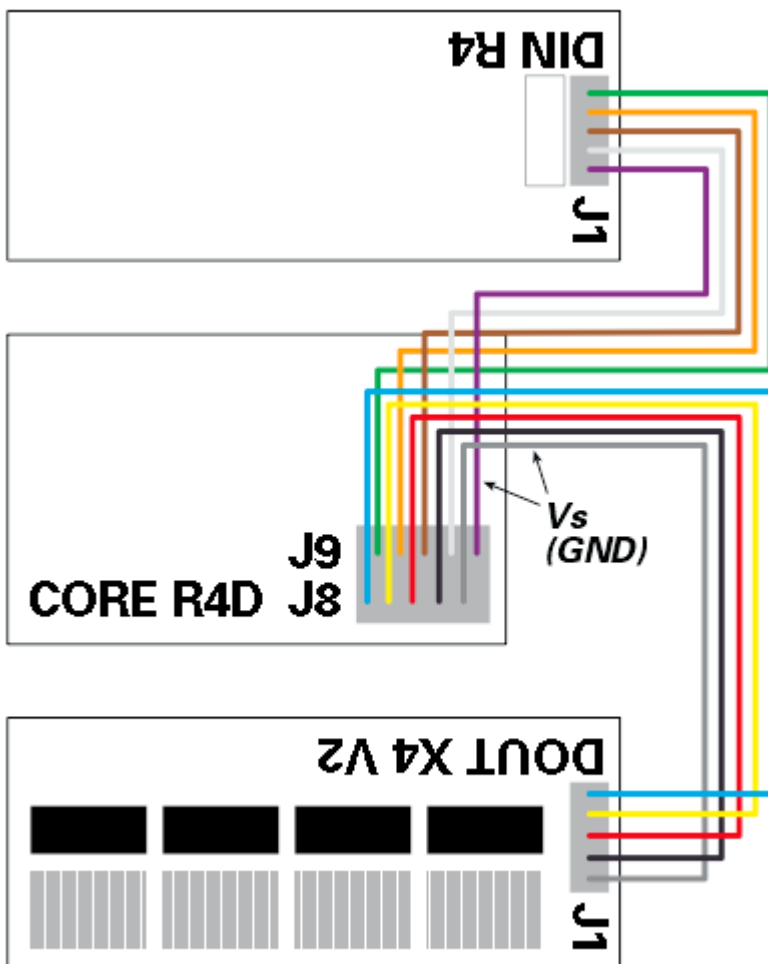
# General Informations

A DOUT module is a digital output module, usually used to drive LEDs with a Midibox.

- [DOUT Module](#) uCApps
- [DIN & DOUT Pintable](#)

## Connection to Core Module

Check the version of your Boards; if you're using SmashTV's Core that's equipped with double rows, you can build a split-cable to connect J8/J9 to a DIN and a DOUT:



From:

<https://wiki.midibox.org/> - **MIDIbox**

Permanent link:

[https://wiki.midibox.org/doku.php?id=dout\\_module\\_digital\\_output&rev=1195399621](https://wiki.midibox.org/doku.php?id=dout_module_digital_output&rev=1195399621)



Last update: **2008/11/23 16:29**