

# General Informations

A DOUT module is a digital output module, usually used to drive LEDs with a Midibox.

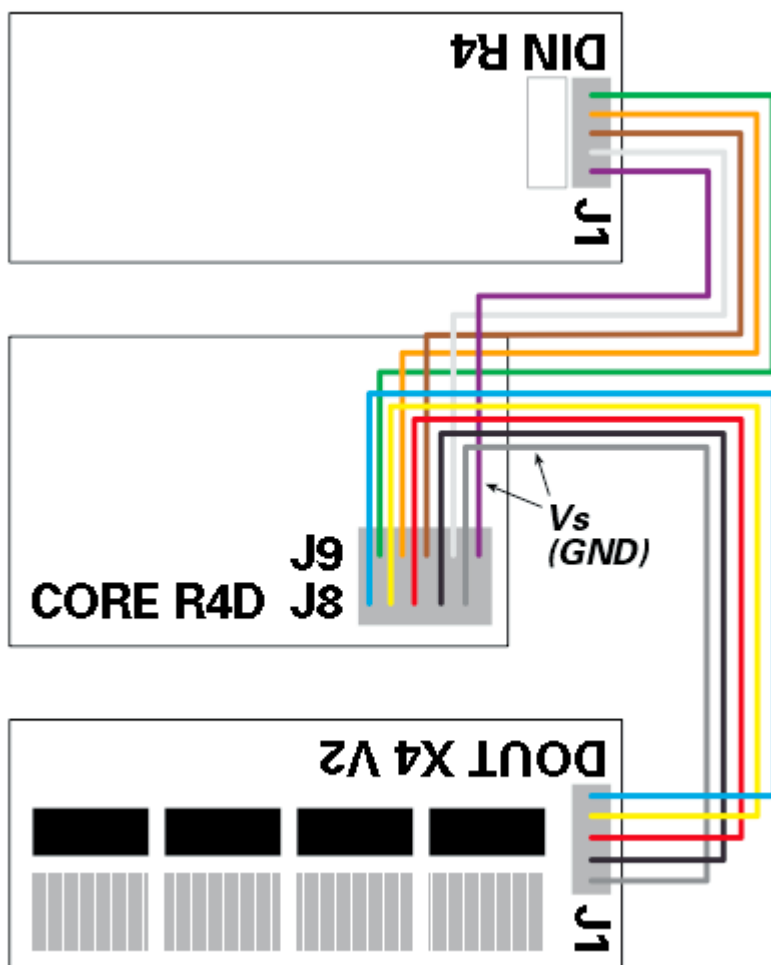
- [DOUT Module](#) <sup>uCApps</sup>
- [DIN & DOUT Pintable](#)

Note that hardware pin's will be counted D7 - D0 / O7 - O0 / QH - QA. In contrast, pins for DIN modules will be counted D0 - D7.

Refer the DIN & DOUT Pintable to see the relation between software pin numbers and hardware pins.

## Connection to Core Module

Check the version of your Boards; if you're using SmashTV's Core that's equipped with double rows, you can build a split-cable to connect J8/J9 to a DIN and a DOUT:



From:  
<https://wiki.midibox.org/> - **MIDIbox**

Permanent link:  
[https://wiki.midibox.org/doku.php?id=dout\\_module\\_digital\\_output&rev=1227457747](https://wiki.midibox.org/doku.php?id=dout_module_digital_output&rev=1227457747)

Last update: **2008/11/23 16:29**

