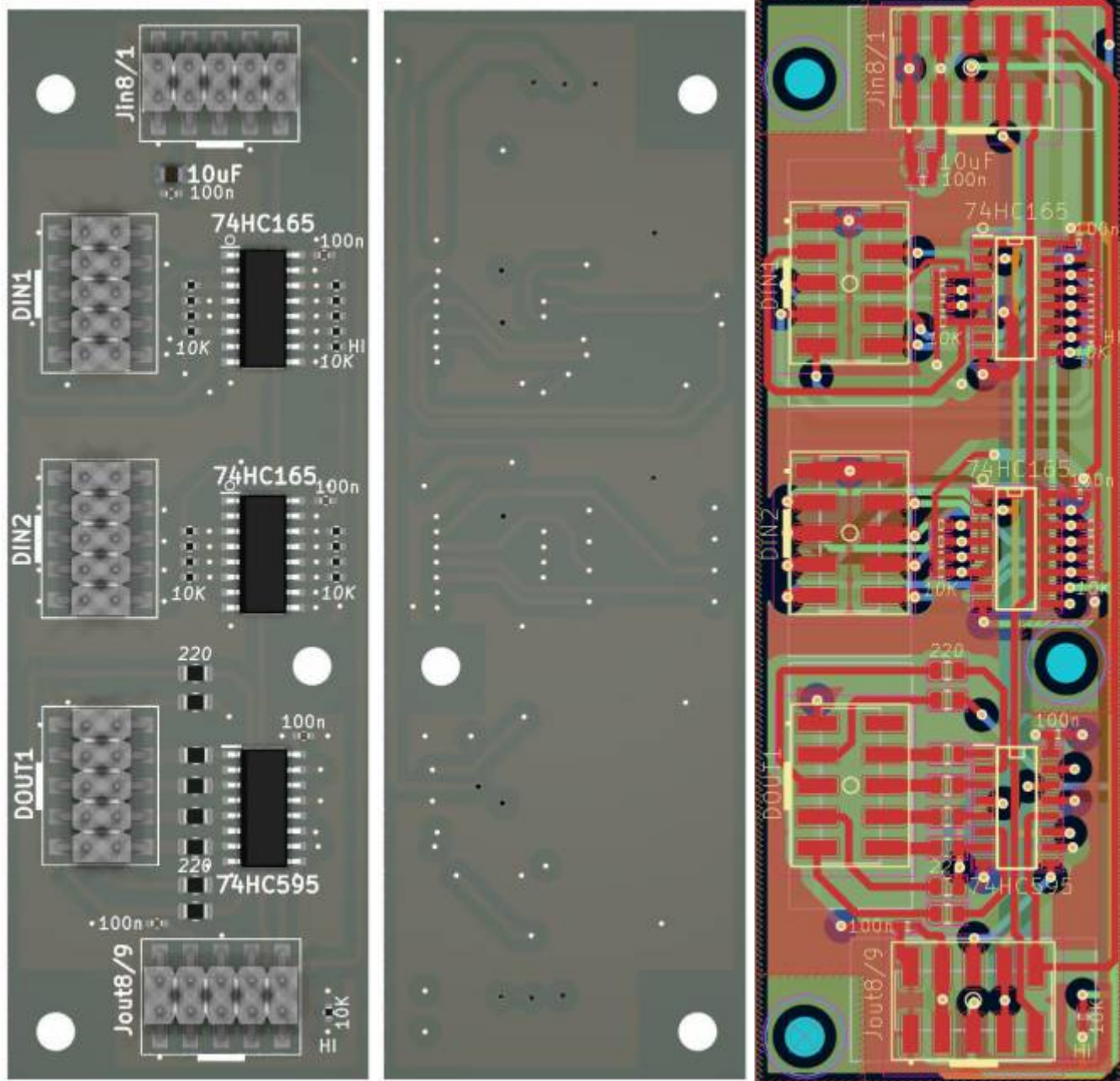


DinX2DoutX1



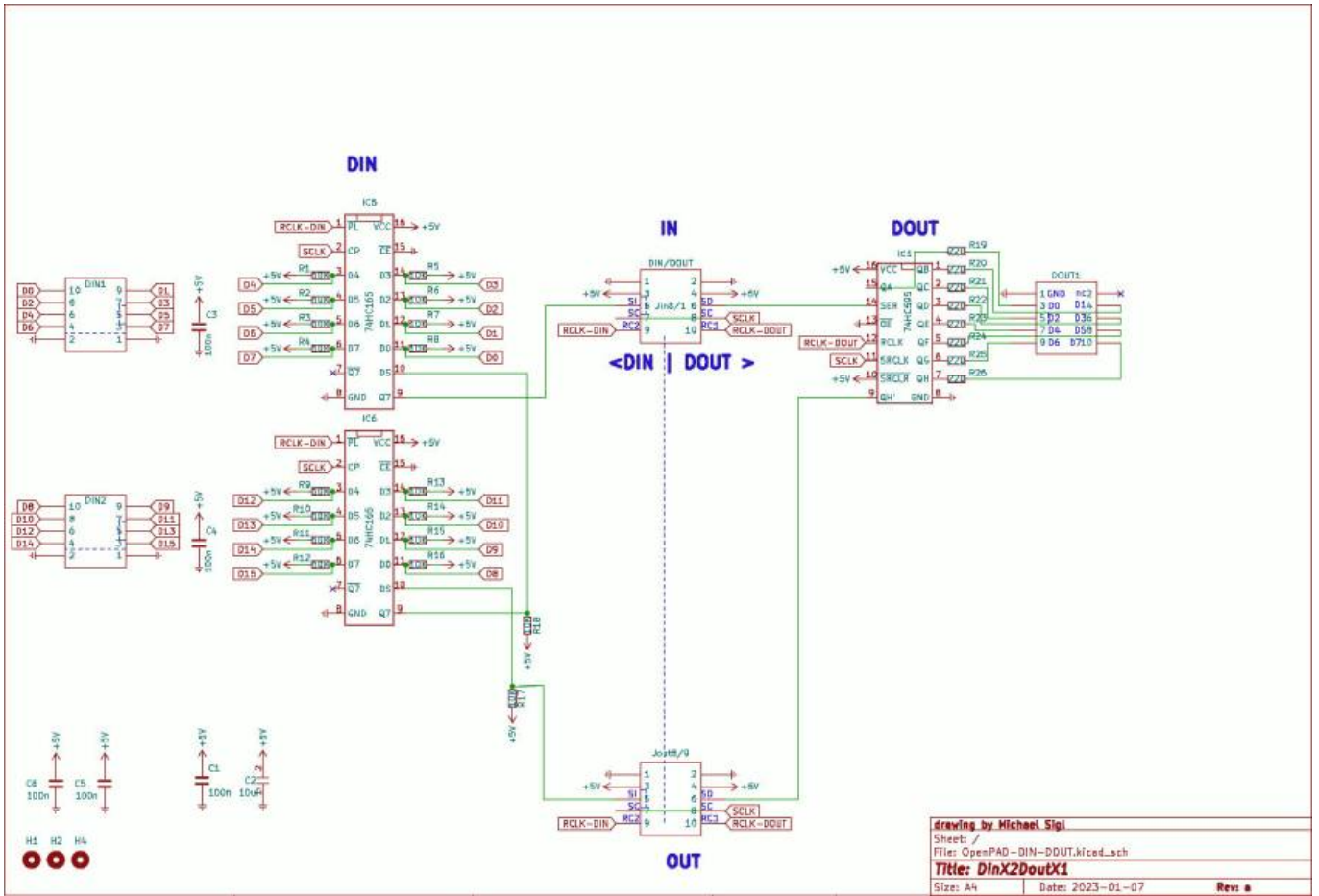
it gives;

16 Digital Inputs

8 Digital Outputs

The Board is fully SMD, and made for pick and place - so no soldering required!

Schematic



Building and BOM

Its build by pick and place robots... so no need to build, or order any component you need this PCB 1x for [OpenPAD](#)

Production Files

open for real! [dinx2doutx1-gerber.zip](#)
[dinx2doutx1-bomandposi.zip](#)

BOM

Follwing list is for reference, and debugging only, **no need to order them!** all the parts are already soldered on the PCB!

| qty | reference | value | jlc | |
|-----|--------------------|-------|---------|----------------------|
| 5 | C1, C3, C4, C5, C6 | 100n | C307331 | 81-GRM155R61E104KA7J |
| 1 | C2 | 10uF | C440198 | 81-GRM21BR61H106KE3K |

| qty | reference | value | jlc | |
|-----|------------------------|----------|---------|----------------------|
| 2 | DIN1,DIN2 | Gates | C124391 | 649-1012938391001ALF |
| 3 | DOUT1, Jin8/1, Jout8/9 | DIN/DOUT | C124391 | 649-1012938391001ALF |
| 1 | IC1 | 74HC595 | C5947 | 595-SN74HC595DR |
| 2 | IC5, IC6 | 74HC165 | C5613 | 595-SN74HC165DRG3 |
| 18 | R1-R18 | 10K | C25744 | 303-0402WGF1002TCE |
| 8 | R19-R26 | 220 | C25294 | |

To Do

waiting for the assembled Prototype

Community users working on it

- **Phatline** = PCB & Schematic, UI-Programming, Documentation...

Just let a Private message on the forum to user already involved.

or join the forum: [Triggermatrix 5](#)

From:

<https://wiki.midibox.org/> - **MIDIbox**

Permanent link:

<https://wiki.midibox.org/doku.php?id=doutx2dinx1&rev=1673227025>

Last update: **2023/01/09 01:17**

