

Fantoms PCBs

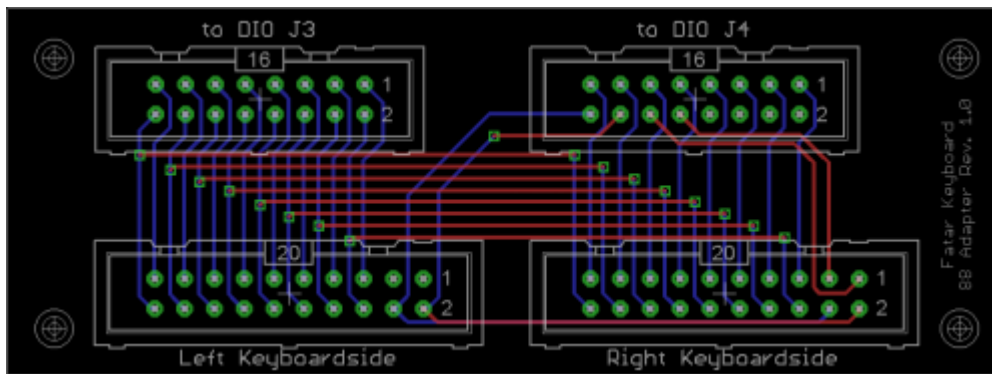
On this page I will list pcb designs I made. Some are tested, some are not. I will add a note to every PCB.

Fatar keybed adapter

This is a adapter which is made for connect a FATAR keybed directly to the DIO-matrix without soldering. The rest should be self explaining.

Status: **tested**

Eagle *.brd: [Fatar adapter](#)



LED Ring

This is a LED ring which contains 15 LEDs arranged in a ring and the last LED as indication-led for the switch of an encoder. The LEDs are 0805 SMD type.

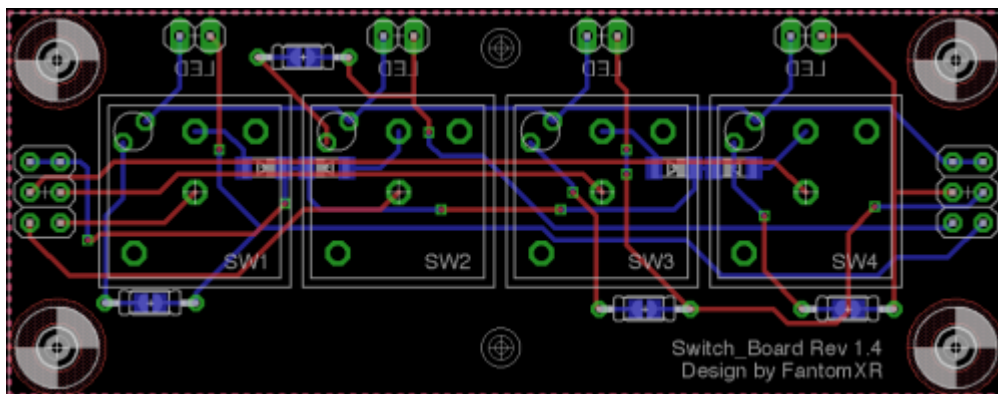
Status: **untested**

Eagle *.brd: not released yet

the LEDs.

Status: **tested**

Eagle *.brd: [4x Switchboard](#)

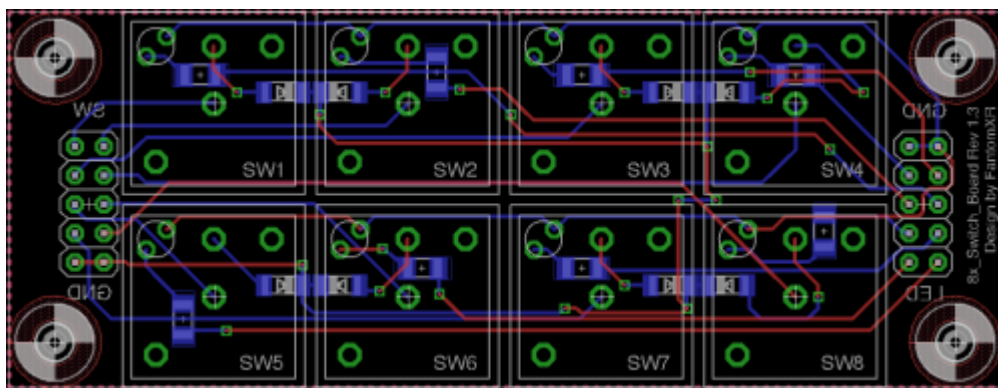


8x Switchboard

SMD resistors and diodes are used here to use this board in a matrix. If you want to connect it directly to a DIN, just bridge the soldering pads of the diode... or add a diode...

Status: **untested**

Eagle *.brd: [8x Switchboard](#)



From: <https://wiki.midibox.org/> - **MIDIbox**

Permanent link: <https://wiki.midibox.org/doku.php?id=fantomxr&rev=1421840927>

Last update: **2015/01/21 11:48**

