

This page lists the know errors on the gm5x5x5 PCBs.

Prototype Run

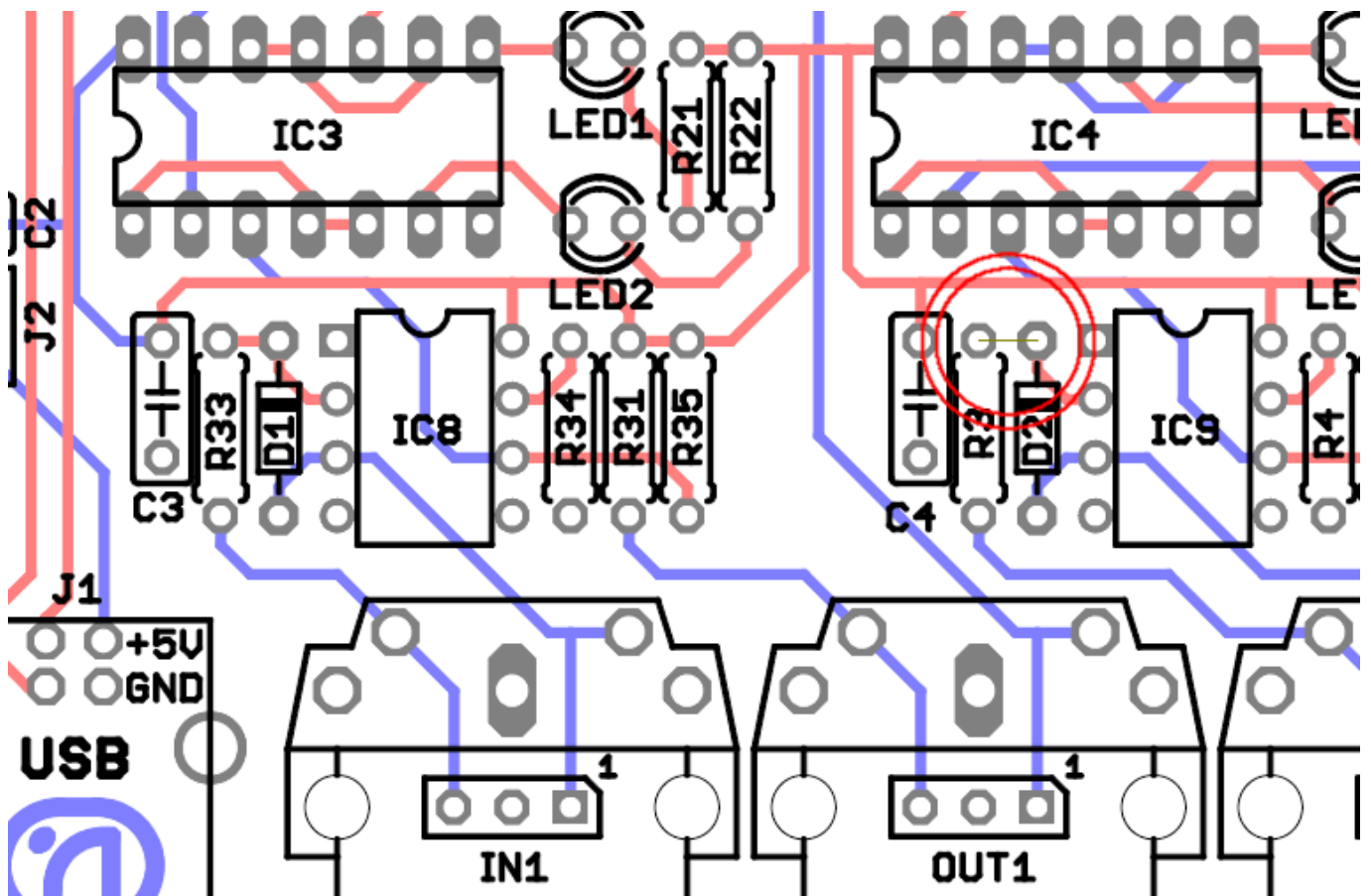
#1 MIDI IO pins

Problem: The MIDI IO pins of the midi sockets (Pin 4 + 5) are switched.

Solution: Either (1) use the pin-headers if you use sockets that are not mounted on the pcb or (2) break the traces to pins 4 + 5 of the sockets and solder wires to them or (3) solder the midi sockets on the other side of the pcb.

#2 MISSING TRACK

Problem: A track between D2 and R3 is missing.



Solution: Bridge the pins.

From:
<https://wiki.midibox.org/> - MIDibox

Permanent link:
https://wiki.midibox.org/doku.php?id=gm5x5x5_errata&rev=1227726089

Last update: 2008/11/26 19:01



