

This page lists the known errors on the gm5x5x5 PCBs. There are no known issues with the bulk order run (white pcbs), the following information is valid **only** for the prototype run (green pcbs).

## Prototype Run

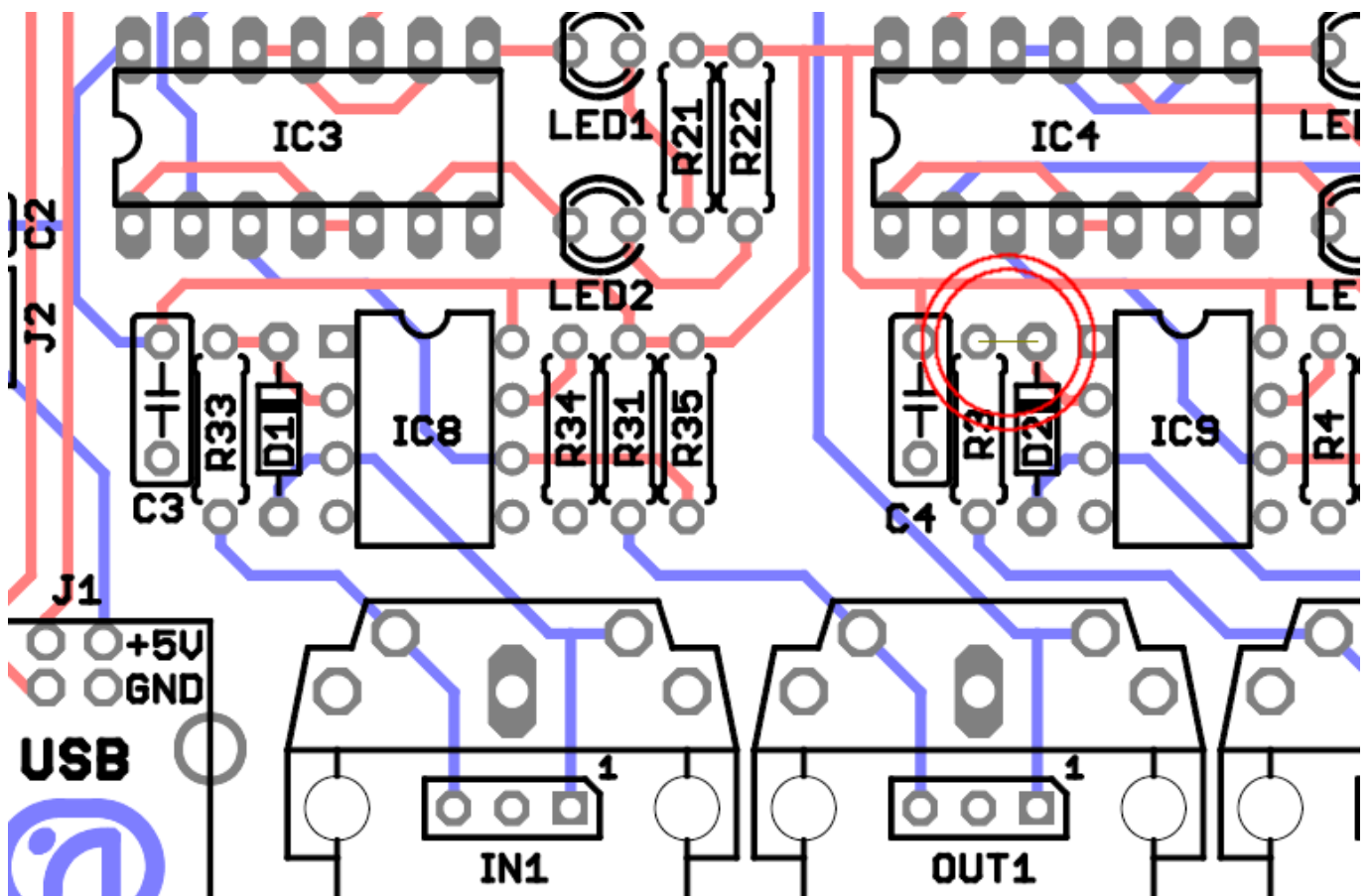
### #1 MIDI IO pins

**Problem:** The MIDI IO pins of the midi sockets (Pin 4 + 5) are switched.

**Solution:** Either (1) use the pin-headers if you use sockets that are not mounted on the pcb or (2) break the traces to pins 4 + 5 of the sockets and solder wires to them or (3) solder the midi sockets on the other side of the pcb.

### #2 MISSING TRACK

**Problem:** A track between D2 and R3 is missing.



**Solution:** Bridge the pins.

From:

<https://wiki.midibox.org/> - **MIDIbox**

Permanent link:

[https://wiki.midibox.org/doku.php?id=gm5x5x5\\_errata&rev=1236037202](https://wiki.midibox.org/doku.php?id=gm5x5x5_errata&rev=1236037202)

Last update: **2009/03/02 23:40**

