

# LRE8x2 096 SSD1306-BAR for Eurorack V2



Eurorackpanel;  
 LRE-OLED-BAR & LRE8x2 V2.5 This Design is planned for SMD-LEDs - and Screens, - It only will work for transparent Plates - else it must be adaptiel (mor drill holes) designed by Michael Sigi > www.siggut.at



Eurorackpanel;  
 LRE-OLED-BAR & LRE8x2 V2.5 This Design is planned for SMD-LEDs - and Screens, - It only will work for transparent Plates - else it must be adaptiel (mor drill holes) designed by Michael Sigi > www.siggut.at



I made this PCBs to use it with Fairlightii´s [mb-lre8x2cs\\_pcb](#)

## PCB

I didnt panalize it, so you have to do this when ordering the PCB online  
 you will need 4 PCBs per LRE8x2... normally you want to order 8 PCBs (using 2x LRE8x2)



Here are the gerberfiles for production - i made it with [JLCPCB](#)  
[lre-oled-bar2-gerber.zip](#)



Home / My Account / Order history / W20220



Submitted

2022-01-13



Paid

2022-01-13



Reviewed



In Production



Shipped

**Shipping Information**

Shipping Address:

michael

Oberösterreich, [Innsbruck, Innsbrucker Platz 11, 6020 Innsbruck, Austria](#)

Shipping Method: Standard Global Direct Line

**Payment Information**

Payment method: paypal

Payment received: 2022-01

Order total: €6.77

**Item Details**

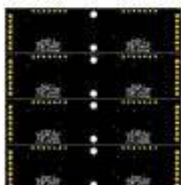
LRE-OLED €1.75 5 pcs  
 Order Number: Y12-2436262A  
 Order Status: Reviewing  
 Gerber file: [LRE-OLED](#)  
 Build Time: 3 days

**MERCHANDISE TOTAL: €1.75**

**SHIPPING CHARGE: €4.59**

**PAYPAL FEE: €0.44**

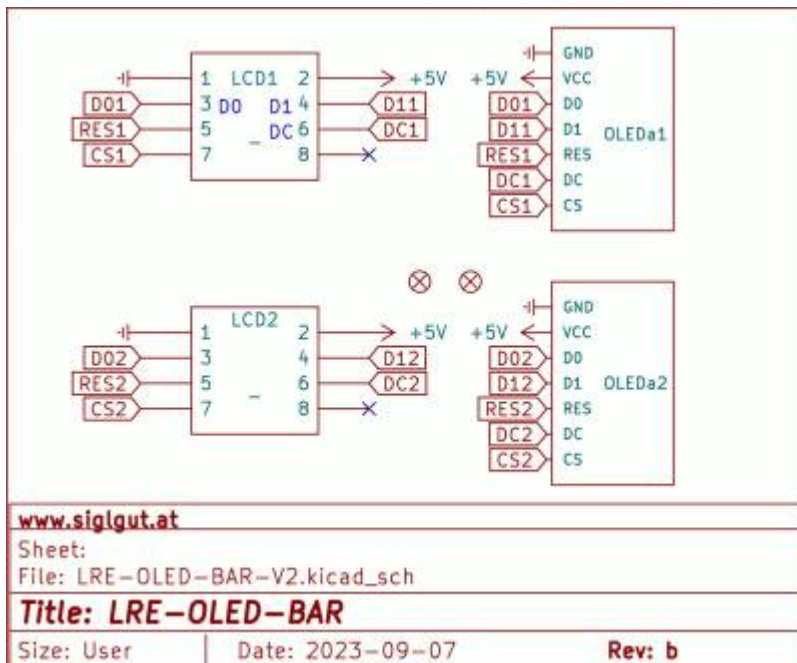
**ORDER TOTAL: €6.77**



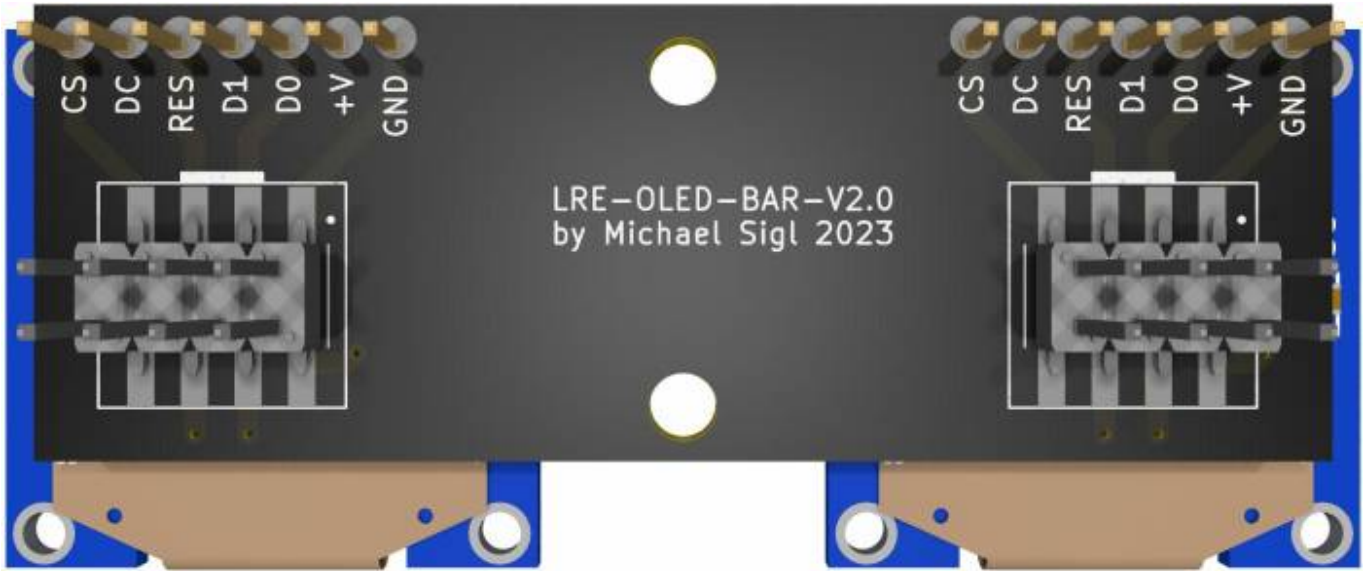
# Hardware Requirements

- [http://www.ucapps.de/mbhp\\_core\\_stm32f4.html](http://www.ucapps.de/mbhp_core_stm32f4.html) MIOS32 Core to connect too
- [DisplayDriver-SMD](#) which buffers the Displays
- Soldering Iron - with a Dip that can Handle Thruhole-Parts, solder Paste...
- [mb-lre8x2cs\\_pcb](#) for its nature use
- [LRE5-LCD2](#) as UI to handle Patch management and automation (if you want to use my code...)

## Schematic



## Building and BOM



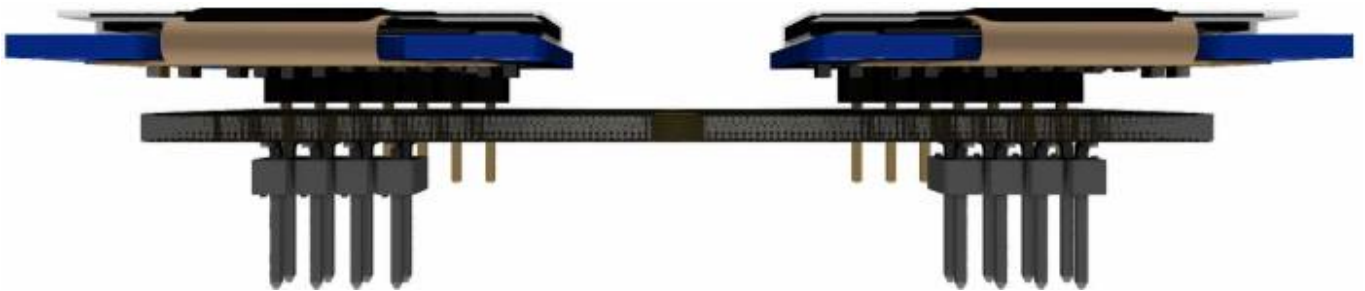
**Following Quantity is for 1 PCB (you may need this up to 8 times!):**

2x 1Row 7Pin Male headers (2.54mm pitch) - normally delivered with the Displays!

2x 8PIN Ribbon Connectors (2x4Pin Female) + Cables [mouser](#)

2x 8PIN Ribbon Terminals (2x4Pin Male) SMD Variant [at JLCPCB](#)

2x 0.96" SSD1306 Screens 7Pin Variant! i recommend white ones [at Ali express](#)



## Frontpanel



I made a DXF File which you can send to [Formulor in Germany](#)

i panalized it so there are 2 Plates in it

I payed 40€ summed for booth plates incl shipping from Germany to Austria

[lre-oled-bar2-fp-formular.zip](#)

**Recommend Material from Formulor:**

3mm Acrylglas GS 384x384mm, mittelgrau transparent(7C83)

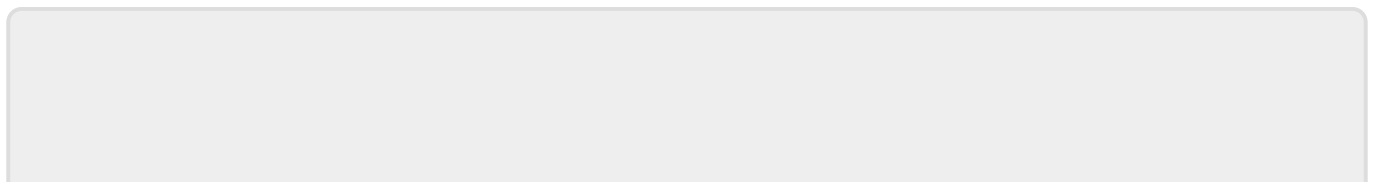
## To Do

The LRE-OLED-Bar & The Frontpanel are a Part of my [MSQ-CC-LRE-V2](#)  
so look there for more information....

## Community users working on it

- **Phatline** = PCB & Schematic, UI-Programming, Documentation...

Just let a Private message on the forum to user already involved.



From:

<https://wiki.midibox.org/> - **MIDIbox**

Permanent link:

<https://wiki.midibox.org/doku.php?id=lre-oled-bar2&rev=1694118876>

Last update: **2023/09/07 20:34**

