

LRE8x2 096 SSD1306-BAR for Eurorack V2



Eurorackpanel;
 LRE-OLED-BAR & LRE8x2 V2.5 This Design is planned for SMD-LEDs - and Screens, - it only will work for transparent Plates - else it must be adaptiel (mor drill holes) designed by Michael Sigi > www.siggut.at



Eurorackpanel;
 LRE-OLED-BAR & LRE8x2 V2.5 This Design is planned for SMD-LEDs - and Screens, - it only will work for transparent Plates - else it must be adaptiel (mor drill holes) designed by Michael Sigi > www.siggut.at



I made this PCBs to use it with Fairlightii´s [mb-lre8x2cs_pcb](#)

PCB

I didnt panalize it, so you have to do this when ordering the PCB online
 you will need 4 PCBs per LRE8x2... normally you want to order 8 PCBs (using 2x LRE8x2)



Here are the gerberfiles for production - i made it with [JLCPCB](#)
[lre-oled-bar2-gerber.zip](#)



Home / My Account / Order history / W20220

Submitted (2022-01-13) → Paid (2022-01-13) → Reviewed → In Production → Shipped

Shipping Information

Shipping Address:
 michael
 Oberösterreich, [https://www.gps-coordinates.com/26.79,43.27](#)
 Shipping Method: Standard Global Direct Line

Payment Information

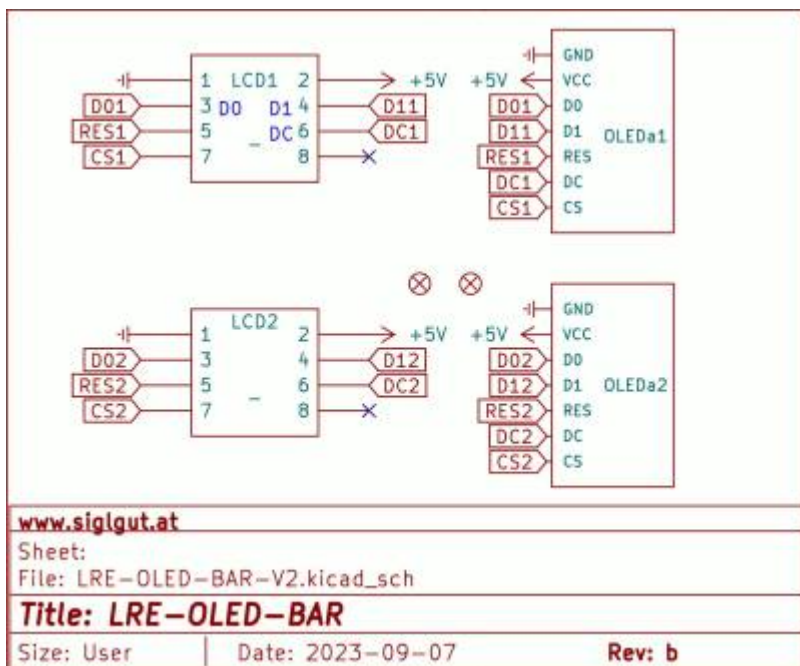
Payment method: paypal
 Payment received: 2022-01
 Order total: €6.77

Item Details	Price	Qty	Operate
 LRE-OLED	€1.75	5 pcs	MERCHANDISE TOTAL: €1.75 SHIPPING CHARGE: €4.59 PAYPAL FEE: €0.44 ORDER TOTAL: €6.77
Order Number: Y12-2436262A			
Order Status: Reviewing			
Gerber file: LRE-OLED			
Build Time: 3 days			

Hardware Requirements

- http://www.ucapps.de/mbhp_core_stm32f4.html a MIOS32 Core to connect too
- [DisplayDriver-SMD](#) which buffers the Displays
- Soldering Iron - with a Dip that can Handle Thruhole-Parts, solder Paste...
- [mb-lre8x2cs_pcb](#) for its nature use
- [LRE5-LCD2](#) as UI to handle Patch management and automation (if you want to use my code...)
- You may need a [DINX4](#) Module, in order to get the encoders inbuilt Pushbotton to work

Schematic

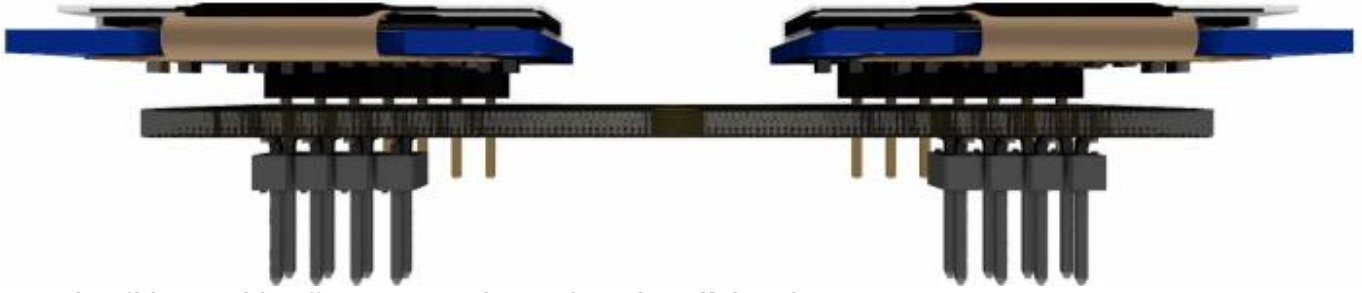


Building and BOM



Following Quantity is for 1 PCB (you may need this up to 8 times!):

- 2x 1Row 7Pin Male headers (2.54mm pitch) - normally delivered with the Displays!
- 4x 8PIN Ribbon Connectors (2x4Pin Female) + Cables [mouser](#)
- 2x 8PIN Ribbon Terminals (2x4Pin Male) SMD Variant [JLCPCB](#)
- 2x 0.96" SSD1306 Screens 7Pin Variant! i recommend white ones, order 2 extras because you might have faulty ones because of Heat-Soldering Damage and replacement for later repair.. [Ali express](#)



2x 8Pin Ribbon Cables (i recommend to order a lot off them)

Frontpanel



I made a DXF File which you can send to [Formulor in Germany](#)

i panalized it so there are 2 Plates in it

I payed 40€ summed for booth plates incl shipping from Germany to Austria

[lre-oled-bar2-fp-formular.zip](#)

Recommend Material from Formulor:

3mm Acrylglas GS 384x384mm, mittelgrau transparent(7C83)

To Do

The LRE-OLED-Bar & The Frontpanel are a Part of my [MSQ-CC-LRE-V2](#)
so look there for more information....

Community users working on it

- **Phatline** = PCB & Schematic, UI-Programming, Documentation...

Just let a Private message on the forum to user already involved.

From:

<https://wiki.midibox.org/> - **MIDIbox**

Permanent link:

<https://wiki.midibox.org/doku.php?id=lre-oled-bar2&rev=1694119290>

Last update: **2023/09/07 20:41**

