

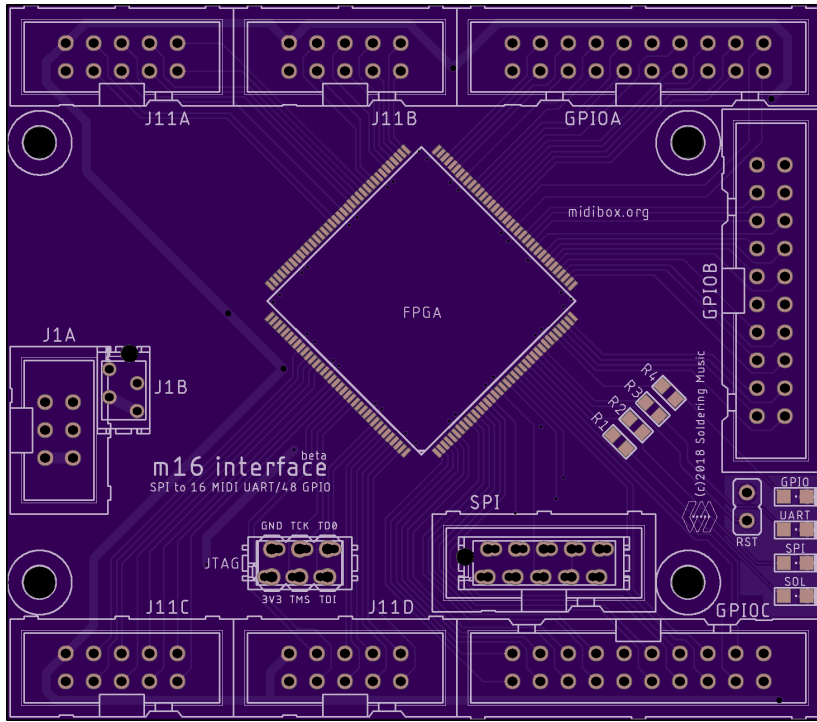


M16 MIDI Interface

Add 16 MIDI I/O to your Core, SPI Slave Interface with up to 16 UARTs(MIDI I/O), based on low-cost FPGA...

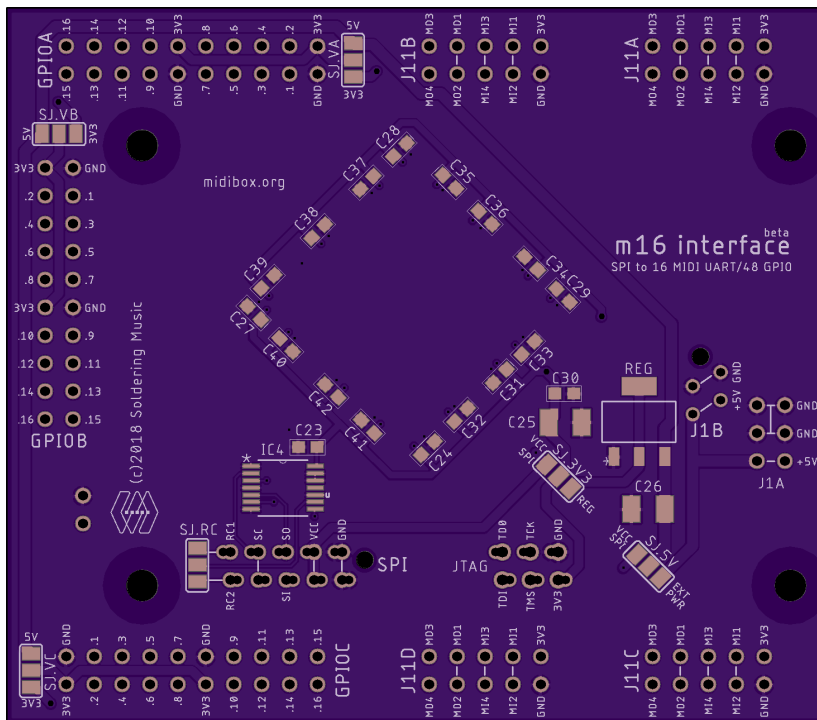
Features

- The FPGA internal clock works @88.67MHz.
- Fast 4 wires SPI in slave mode to control the board, 10Mb/s, 5V tolerant.
- Uses the default MIOS32_SPI_MIDI protocol, MIOS32 is ready-to-use with it.
- 16 UARTs on board, it's 16 MIDI ports.
- Each MIDI output has its own FIFO buffer of 1024 bytes, to queue the incoming MIDI from the SPI.
- Each MIDI output has its independent "Running Status", with Disable/Enable Command from SPI.
- There's a 64 word(32bits) FIFO for out-coming messages from the board.
- 3 independents groups of 16 GPIOs, configurable and settable by SPI Command.
- Can be stacked under a [dipBoardF4](#)

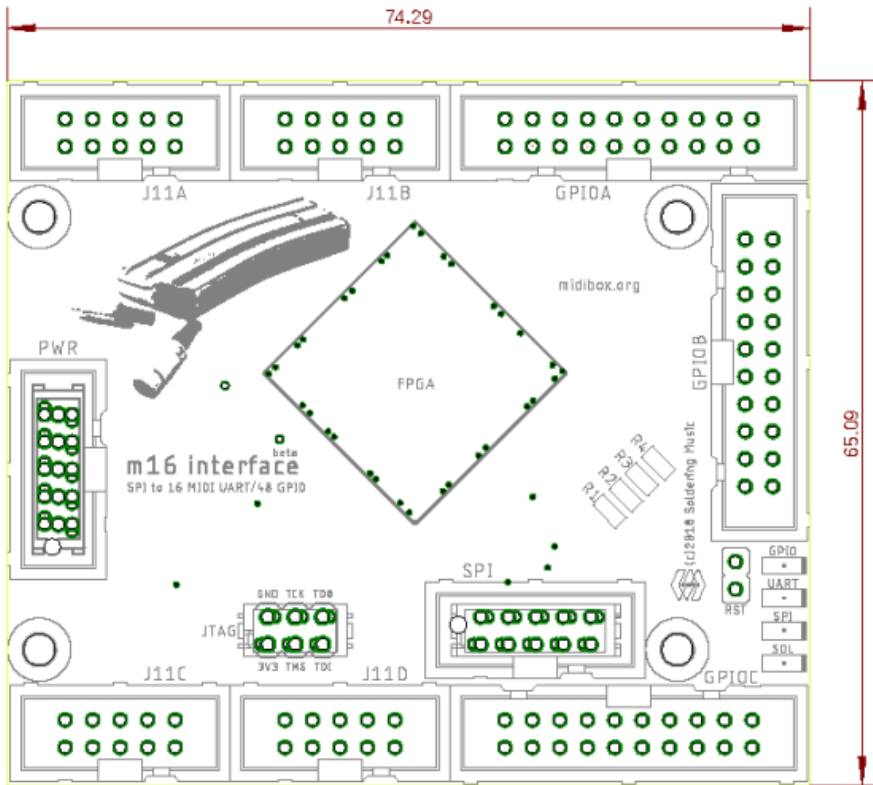


Fits 2 layer mostly common design rules.

- min. drill 10mil
- min. width 6mil



Dimension



BOM

version 1. Mouser BOM: [ToDo](#)

Qty	Value	Package	Parts	Mouser	Reichelt	Conrad	Other	Notes
Resistors								
4	680R 5%	0603	R1, R2, R3, R4					Depends on Leds
Capacitors								
3	10n	0603	C27, C29, C30					

Qty	Value	Package	Parts	Mouser	Reichelt	Conrad	Other	Notes
Resistors								
15	100n	0603	C23, C24, C28, C31, C32, C33, C34, C35, C36, C37, C38, C39, C40, C41, C42					
2	10u	SMC_B	C25, C26					
LEDs								
4	-	0805	LED.1, LED.2, LED.31, LED.4					
ICs								
1	LCMX02-7000	TQFP144	FPGA	842-27000HC6TG144I				Speed grade 4 to 6, 3.3V!
1	74LVC125	TSSOP-14	IC4	595-SN74LVC125APWR				
1	LD1117AS33TR	SOT223	REG	511-LD1117AS33				
Connector								
1	micro-match 2x2	Male	J1B	571-215464-4				for stack
1	2x3	Male	J1A	710-61200621621				
1	micro-match 2x3	Female	JTAG	571-215079-6 or 571-2178710-6 (value line)				
5	2x5	Male	J11A, J11B, J11C, J11D, SPI	710-61201021621				
1	micro-match 2x5	Male	SPI	571-8-215464-0				for stack
5	2x10	Male	GPIOA, GPIOB, GPIOC	710-61202021621				

SPI Communication and protocol

This protocol is already implemented in MIOS32 as MIOS32_SPI_MIDI functions.

This is a SPI slave interface.

Host communication protocol is based on MMA Specification for USB communication.

MIDI data is carried in the packet in 32 bit MIDI Event. Most common MIDI messages are 2 or 3 bytes packed into one MIDI Event.

Longer messages, generally System Exclusive messages are carried in multiple MIDI Events. These MIDI Event provide a method to transfer MIDI messages with 32 bit fixed length messages to help memory allocation. This also makes parsing MIDI events easier by packetizing the separate bytes of a MIDI message into one parsed MIDI Event.

The first byte in each 32-bit MIDI Event is a sub-header containing a Port Index Number (4 bits) followed by a Code Index Number (4 bits). The remaining three bytes contain the actual MIDI event. Most typical parsed MIDI events are two or three bytes in length. Unused bytes are reserved and must be padded with zeros (in the case of a one- or two-byte MIDI event) to preserve the 32-bit fixed length of the MIDI Event.

The Code Index Number (CIN) indicates the classification of the bytes in the and the number of bytes in the message. The following table summarizes these classifications.

```
#!/ this global array is read from MIOS32_MIDI to
#!/ determine the number of MIDI bytes which are part of a package
const u8 mios32_midi_pcktype_num_bytes[16] = {
    0, // 0: invalid/reserved event
    0, // 1: local command
    2, // 2: two-byte system common messages like MTC, Song Select, etc.
    3, // 3: three-byte system common messages like SPP, etc.
    3, // 4: SysEx starts or continues
    1, // 5: Single-byte system common message or sysex sends with following
single byte
    2, // 6: SysEx sends with following two bytes
    3, // 7: SysEx sends with following three bytes
    3, // 8: Note Off
    3, // 9: Note On
    3, // a: Poly-Key Press
    3, // b: Control Change
    2, // c: Program Change
    2, // d: Channel Pressure
    3, // e: PitchBend Change
    1 // f: single byte
};
```

MIDI messages

Running status is never used, so all the messages are formed of all bytes. But the interface supports

it, each MIDI Out can be individually set for that purpose.

Some examples

MIDI clock on port 7(SPIM0 to SPIM15)

MIDI message is 0xF8, cin = 0x5.

SPI message = 0x0000f875 (Less significant byte first)

```
mios32_midi_package_t package;
package.ALL = 0;
package.cin = 0x5; // Single-byte system common message
package.evnt0 = 0xf8; // MIDI Clock event status
MIOS32_MIDI_SendPackage(SPIM7, package);
// or directly
MIOS32_MIDI_SendClock(SPIM7);
```

Note On on port 11

MIDI message is 0x90 0x2A 0x40, cin = 0x9.

SPI message = 0x402A90b9

```
mios32_midi_package_t package;
package.ALL = 0;
package.cin = 0x9; // Single-byte system common message
package.evnt0 = 0x90; // MIDI Note On event, channel 1
package.evnt1 = 0x2A; // Note Number
package.evnt2 = 0x40; // Velocity
MIOS32_MIDI_SendPackage(SPIM11, package);
// or directly
MIOS32_MIDI_SendNoteOn(SPIM11, Chn1, 0x2A, 0x40)
```

System Exclusive on port 0

MIDI message is 0xF0 0x01 0x02 0x03 0x04 0x05 0xF7.

The stream will be divided in 3 packages:

SPI messages = 0x0101f004(SYSEX start), 0x05040304(SYSEX continues), 0x0000f705(SYSEX ends with one byte)

```
mios32_midi_package_t package;
package.ALL = 0;
package.cin = 0x4; // Single-byte system common message
package.evnt0 = 0xf0; // Start of Exclusive
package.evnt1 = 0x01; // Data
package.evnt2 = 0x02; // Data
MIOS32_MIDI_SendPackage(SPIM0, package);
package.evnt0 = 0x03; // Data
package.evnt1 = 0x04; // Data
package.evnt2 = 0x05; // Data
MIOS32_MIDI_SendPackage(SPIM0, package);
```

```

package.ALL = 0;
package.cin = 0x4; // Single-byte system common message
package.evnt0 = 0xf7; // End of Exclusive
MIOS32_MIDI_SendPackage(SPIM0, package);
// or directly
u8 stream[7]={0xF0, 0x01, 0x02, 0x03, 0x04, 0x05, 0xF7};
MIOS32_MIDI_SendSysex(SPIM0, (u8*)stream, 7);
    
```

Special command messages

The **m16** can receive some specifics commands and send back some status messages. when **CIN=0x1**(local command), the **m16** will parse the message as a command and apply the requested change.

- Port(Cable)value becomes Group Command Code(GCC).
- evnt0 is the command number(CMD).
- evnt1 and evnt2 are the value bytes.

List of the commands:

GCC(bit7-4)	byte(0) CIN(bit 3-0)	byte(1) evnt0(CMD)	byte(2) evnt1	byte(3) evnt2	Command	Status
0x0(system config)	always 0x1 (local command)	0x01	0xXXXX		UART fifo source. 0x0000: SPI is the source else UART(loopback)	
		0x02	0xXXXX		SPI fifo source. 0x0000: UART is the source else SPI(loopback)	
		0x03	0xXXXX		SPI miso send MIDI In Activity status. 0x0000: Off else On	0xXXXX are the 16 status bits(sent on change every poll)
		0x04	0xXXXX		SPI miso send MIDI Out Activity status. 0x0000: Off else On	0xXXXX are the 16 status bits(sent on change every poll)
		0x05	0xXXXX		SPI miso send MIDI Out Overload status. 0x0000: Off else On	0xXXXX are the 16 status bits(sent on change every poll)
0x1(MIDI config)	always 0x1 (local command)	0x01	0xXXXX		MIDI Running Status Enabler(1 bit by MIDI Out port), default is 0xffff(all enabled)	
0xa(GPIOA params)	always 0x1 (local command)	0x01	0xXXXX		GPIOA Mode(default is 0x00). -- 0x00: group is MIDI In Activity -- 0x01: group is MIDI Out Activity -- 0x02: group is MIDI Out Overload -- 0x03: group is 16 General Purpose Outputs -- 0x04: group is 16 General Purpose Inputs	when in mode=0x04(GPI) 0xXXXX are the 16 GPI value bits(sent on change every poll) and inverted depending on Inverter buffer.
		0x02	0xXXXX		Inverter buffer(1 bit for each pin). If 1 value is inverted. Default is 0xffff(all inverted)	
		0x03	0xXXXX		buffer for the 16 General Purpose Outputs when Mode=0x03(GPO)	
0xb(GPIOB params)	always 0x1 (local command)	0x01	0xXXXX		GPIOB Mode(default is 0x01). -- 0x00: group is MIDI In Activity -- 0x01: group is MIDI Out Activity -- 0x02: group is MIDI Out Overload -- 0x03: group is 16 General Purpose Outputs -- 0x04: group is 16 General Purpose Inputs	when in mode=0x04(GPI) 0xXXXX are the 16 GPI value bits(sent on change every poll) and inverted depending on Inverter buffer.
		0x02	0xXXXX		Inverter buffer(1 bit for each pin). If 1 value is inverted. Default is 0xffff(all inverted)	
		0x03	0xXXXX		buffer for the 16 General Purpose Outputs when Mode=0x03(GPO)	
0xc(GPIOC params)	always 0x1 (local command)	0x01	0xXXXX		GPIOC Mode(default is 0x02). -- 0x00: group is MIDI In Activity -- 0x01: group is MIDI Out Activity -- 0x02: group is MIDI Out Overload -- 0x03: group is 16 General Purpose Outputs -- 0x04: group is 16 General Purpose Inputs	when in mode=0x04(GPI) 0xXXXX are the 16 GPI value bits(sent on change every poll) and inverted depending on Inverter buffer.
		0x02	0xXXXX		Inverter buffer(1 bit for each pin). If 1 value is inverted. Default is 0xffff(all inverted)	
		0x03	0xXXXX		buffer for the 16 General Purpose Outputs when Mode=0x03(GPO)	

With System commands, you will be able to

- Put SPI or UARTs in loopback for testing purpose.
- Enable MIDI activity status messages over SPI(MISO).

There's only one MIDI configuration command, dedicated to UARTs TX(MIDI Out) Running Status enabler.

With GPIOx commands, you can configure and set the GPIO ports.

ToDo

Some connection examples\\

In MIOS32

datasheet

From:

<https://wiki.midibox.org/> - **MIDIbox**

Permanent link:

<https://wiki.midibox.org/doku.php?id=m16&rev=1538815884>

Last update: **2018/10/06 08:51**

