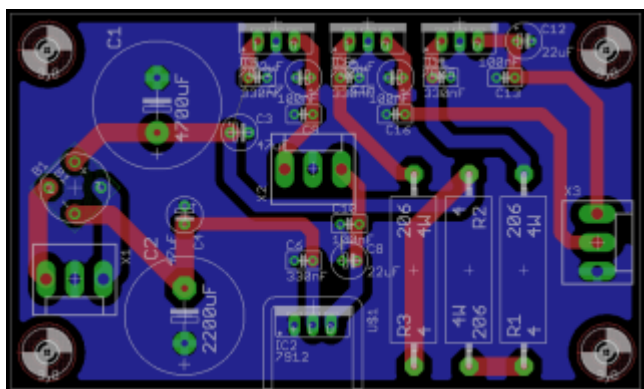


MB-MTRX Bulk Order



Overview

MB-MTRX is a printed board for the 8x8 modulation matrix commonly used with the MB-SID projects. This layout is in large part identical to the MB-6582 matrix layout and is really design to work with it, or any solution using the transistor-sink design found on the MB-6582. Note that the buttons share two of the LED pins because of this.

The board is designed with SIL headers in mind both for space and because it makes it easier to attach to the MB-6582 baseboard (or, as in my case, a jumper board that then attaches to the MB-6582).

You can find more information about the board [here](#).

Disclaimer

DISCLAIMER This board has not been tested. It looks like it should work as advertised but until someone puts on together and gives it a spin, be aware of this. I cannot and will not make any guarantees to success! If in doubt, do not participate or, at least, have a look at the board layout and schematics.

Where are the schematics? The design is still be ratified via the above forum post. Once it has been settled, the layout, schematics, and Eagle files will be available here and on the main MB-SIDR8TR page.

International Shipping

I live in the United States so those keep this in mind when considering the bulk order due to international shipping.

The purpose of the bulk order is to make things cheaper for everyone, but I cannot control the price of shipping, and I have never shipped international before. I will full well admit I could use some help

there. My thought is to ship to someone overseas willing to redistribute out to everyone else, in hopes to keep shipping down, and to generally make distribution easier for everyone.

I have not priced out these costs yet so, if you have any thoughts, please send me a [PM](#).

Costs

So far the cost seems to be around \$15 for the boards itself assuming 25 boards. This goes down based upon time and number of boards. If people don't mind waiting over a month to get boards, the cost drops to \$9.50 for 25. This is an estimate based upon a previous iteration of the board design so the costs may wiggle a bit by the time the bulk order is ready. I suspect the cost may drop ever so slightly if SMD diodes are used.

Bulk Order List

Put your name here only if seriously interested. However, it is not an obligation to buy anything at this point.

Username (Forums)	Qty	Board Color Preference
m00dawg	2	No Preference
rosch	3	
Flying Panther	1	Slight preference for 'standard' Green
Total	6	
Min Order	25	

From:
<https://wiki.midibox.org/> - **MIDIbox**

Permanent link:
https://wiki.midibox.org/doku.php?id=mb-sidr8tr:mb-mtrx_bulk&rev=1315406213

Last update: **2011/09/07 14:36**

