

# OLRE16



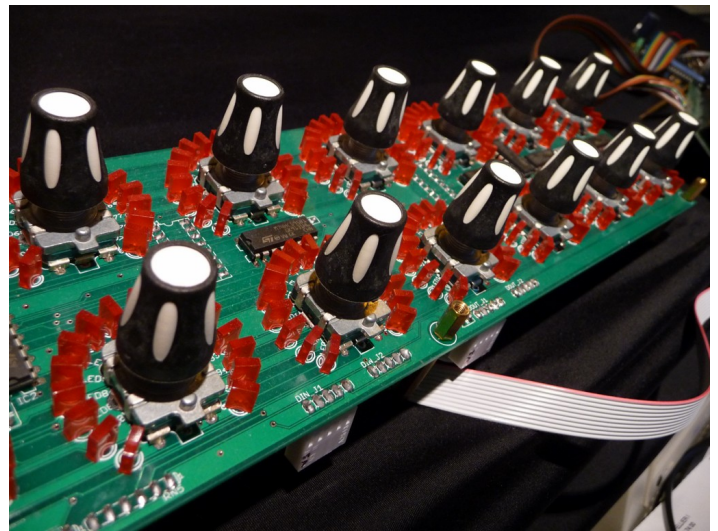
*Under Development*



## Introduction

The Start point was a search about a good LED-Ring for encoders [Forum thread](#) .  
2 existing solutions , but that could be improved :

- The [LED Ring Breakout Board from Sparkfun](#) Big, single blue color and only 16 segments.

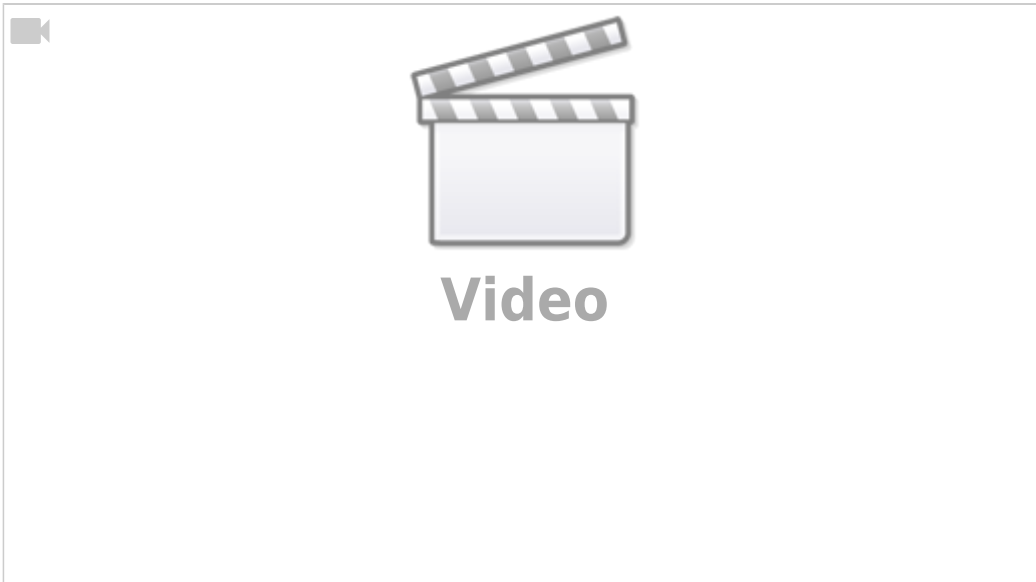


- Fairlightii [LRE8x2CS](#)..Monochrome, Only 16 segments

## Improvement Guidelines

1. **RGB LEDs** for enhanced user feedback and further possible interactions
2. **31 segments in a 270° open ring + 1 index/step segment.**
3. **A straight aligned 16 rings board would fit in a 19" rack**
4. **Small screen to display values like step#, name of the parameter**
5. PCB-mount under front panel has to be easy and should stack the other board which supports the encoders.
6. Interface with to mios32 core has to be easy.

## The Result



## LED Driving

### Sizing

We expect 16 RGB LED rings encoders. So let's do the math : **16 Encoders \* 32 LEDs \* 3 colors = 1536 lines**

Let's transpose this to a classical matrixed SRIO chain design:

$$\begin{aligned} & \mathbf{16 * 3 (cathodes) * 32 (anodes)} \\ & = \mathbf{48 inputs + 32 outputs} \\ & = \mathbf{6 * DIN + 4 * DOUT} \end{aligned}$$

### Core-External Driving Concept : TLC5958

In theory it's possible to drive such a SRIO setup but in fact buses and resistors/R networks are very hard to place and will consume a lot of process.

After a look on the different brands and models of LED driver IC **Texas Instruments TLC5958** appeared as a good compromise to drive a lot of RGB LEDs without overloading the core. Designed to be a LED Display driver, its original purpose and features would allow large-sized RGB-LED-based display setups

#### [TLC5958 Datasheet](#)

This Design note from Texas Instruments helps in understanding how to design around the TLC: [Build high density, high refresh rate, multiplexing LED panel with TLC5958](#)

### TLC5958 Features

1. **48 Channels Constant Current Sink Output**

2. **Global Brightness Control (BC) : 3-Bit (8 Step)**
3. **Color Brightness Control (CC) for Each Color Group: 9-Bit (512 Step), Three Groups.**
4. **Grayscale(GS) Control with Multiplexed Enhanced Spectrum(ES) PWM: 16bit**
5. **48K bit Grayscale Data Memory Support**
6. **32-multiplexing** ( *32 lines mux \* 48 channels = 1536!*)
7. **SPI Data Transfer Rate: 25MHz**
8. LED Open Detection (LOD)
9. Thermal Shut Down (TSD)
10. IREF Resistor Short Protection (ISP)
11. Delay Switching to Prevent Inrush Current
12. Pre-charge FET to Avoid Ghosting Phenomenon
13. Daisy-Chain!

## Mechanical Design

Initial goal was to fit 16 LED Rings + bottom OLEDs in a 19" rack.

**19" = 440mm.**

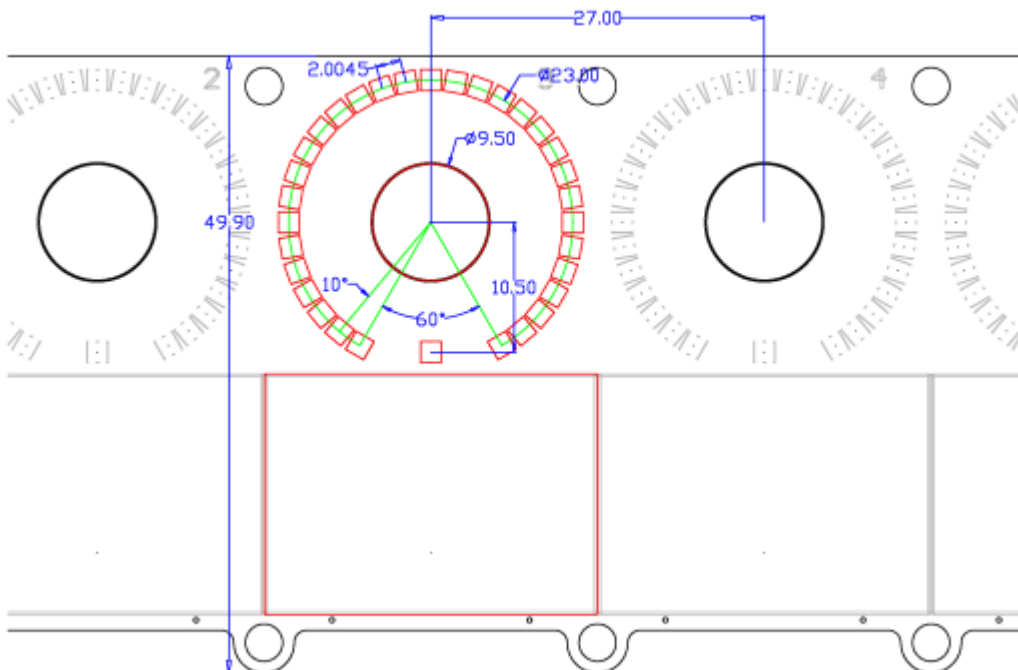
**440 - (4mm case side)\*2 = 432 mm.**

**432/16 LED-Rings = 27mm / LED-Ring**

Luckily an OLED 0.96" is exactly sized 27mm

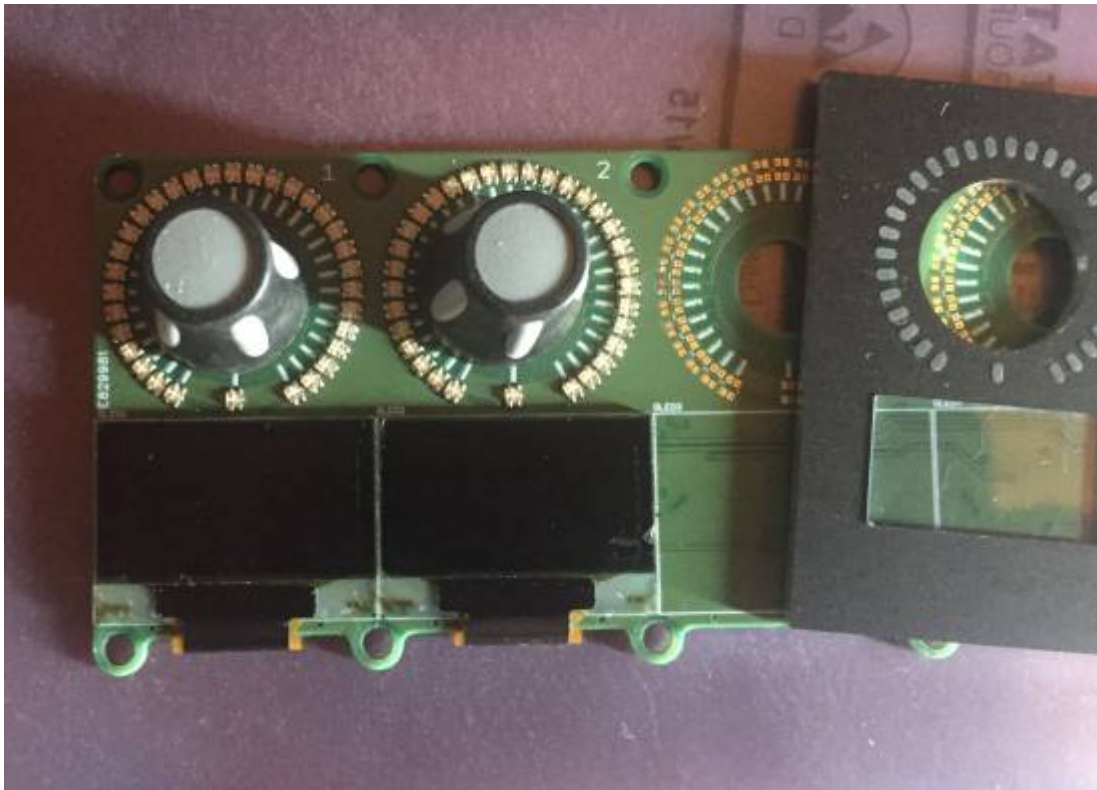
The total height is 50mm, with the mounting holes.

1 Rack Unit size height (44.5mm) was impossible with the OLED displays. Note that it's possible without.



By reversing OLED displays, the active area is closer to the ring.

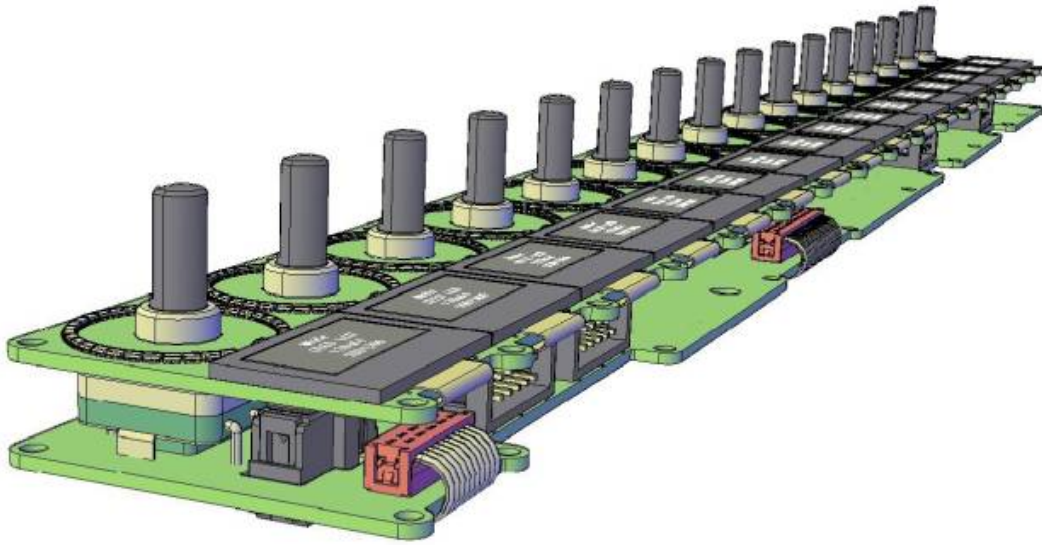
Distance between SMD LEDs center is somewhat close (2.0046mm) But not impossible, for proof:



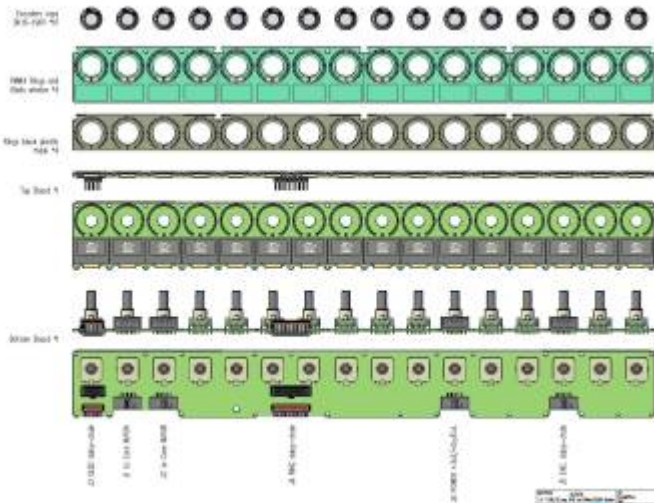
## Conceptual views

The module consists in a 2 pcbs sandwich, spaced 10mm .

**Global size is 432mm Width \* 50mm Height \* 22mm Depth**



ProjName	OLRE16	Rev	00000000000000000000
Proj #	OLRE16 rev. 00 (14 09/04/2025) v0001	Author	
ProjPath		Project	Projects\Conceptual\16
ProjDate		Sheet	01 of 01
ProjStatus		Sheet	01 of 01
ProjType		Sheet	01 of 01
ProjUnit		Sheet	01 of 01
ProjVer		Sheet	01 of 01
ProjRev		Sheet	01 of 01
ProjCmp		Sheet	01 of 01
ProjMfg		Sheet	01 of 01
ProjAsm		Sheet	01 of 01
ProjDoc		Sheet	01 of 01
ProjPrt		Sheet	01 of 01
ProjMtl		Sheet	01 of 01
ProjBom		Sheet	01 of 01
ProjItr		Sheet	01 of 01
ProjRpt		Sheet	01 of 01
ProjCst		Sheet	01 of 01
ProjMk		Sheet	01 of 01
ProjDel		Sheet	01 of 01
ProjArc		Sheet	01 of 01
ProjExp		Sheet	01 of 01
ProjImp		Sheet	01 of 01
ProjMk		Sheet	01 of 01
ProjDel		Sheet	01 of 01
ProjArc		Sheet	01 of 01
ProjExp		Sheet	01 of 01
ProjImp		Sheet	01 of 01
ProjMk		Sheet	01 of 01
ProjDel		Sheet	01 of 01
ProjArc		Sheet	01 of 01
ProjExp		Sheet	01 of 01
ProjImp		Sheet	01 of 01



ProjName	OLRE16	Rev	00000000000000000000
Proj #	OLRE16 rev. 00 (14 09/04/2025) v0001	Author	
ProjPath		Project	Projects\Conceptual\16
ProjDate		Sheet	01 of 01
ProjStatus		Sheet	01 of 01
ProjType		Sheet	01 of 01
ProjUnit		Sheet	01 of 01
ProjVer		Sheet	01 of 01
ProjRev		Sheet	01 of 01
ProjCmp		Sheet	01 of 01
ProjMfg		Sheet	01 of 01
ProjAsm		Sheet	01 of 01
ProjDoc		Sheet	01 of 01
ProjPrt		Sheet	01 of 01
ProjMtl		Sheet	01 of 01
ProjBom		Sheet	01 of 01
ProjItr		Sheet	01 of 01
ProjRpt		Sheet	01 of 01
ProjCst		Sheet	01 of 01
ProjMk		Sheet	01 of 01
ProjDel		Sheet	01 of 01
ProjArc		Sheet	01 of 01
ProjExp		Sheet	01 of 01
ProjImp		Sheet	01 of 01
ProjMk		Sheet	01 of 01
ProjDel		Sheet	01 of 01
ProjArc		Sheet	01 of 01
ProjExp		Sheet	01 of 01
ProjImp		Sheet	01 of 01
ProjMk		Sheet	01 of 01
ProjDel		Sheet	01 of 01
ProjArc		Sheet	01 of 01
ProjExp		Sheet	01 of 01
ProjImp		Sheet	01 of 01





## Prototyping

The first prototype was tested with an [LPC1769 Core](#). For testing purposes only 2 LED-rings were set up in order not to waste components for development. The first software module written was added in an app, but integration in the SEQ V4 app was not possible because a lack of Memory on the LPC17 Core...

Meanwhile the migration to [STM32F4 Core](#), an independent external clocking circuit for the GSCLK and the address lines was designed. STM32F4 Core will just have to provide a PWM a RESET signal and receive an interrupt from this circuit to get the End Of Frame.

## Data Transfer

A serialized design has been chosen to provide data to TLC. Prototype feature only 2 steps but the CORE works like there's 4 modules of 16 steps connected. In order to benchmark reactivity and Transfer time, Core send data for 4 modules ( $4 \times 16 \times 32 \times 3 \times 16 \text{bit} = 12 \text{KBytes}$ ). Through an emulated software SPI bus, for this 64 rings Data Sending takes less than 5ms . Different colors and patterns

like relative value(-64/63), keyboard(B&W keys) etc... were tested.





## GrayScale Clock

Design of External GrayScale Clock for the TLC was tricky.

**257 clock periods and halt for some 1.5~2.5 $\mu$ s are needed for each address line**

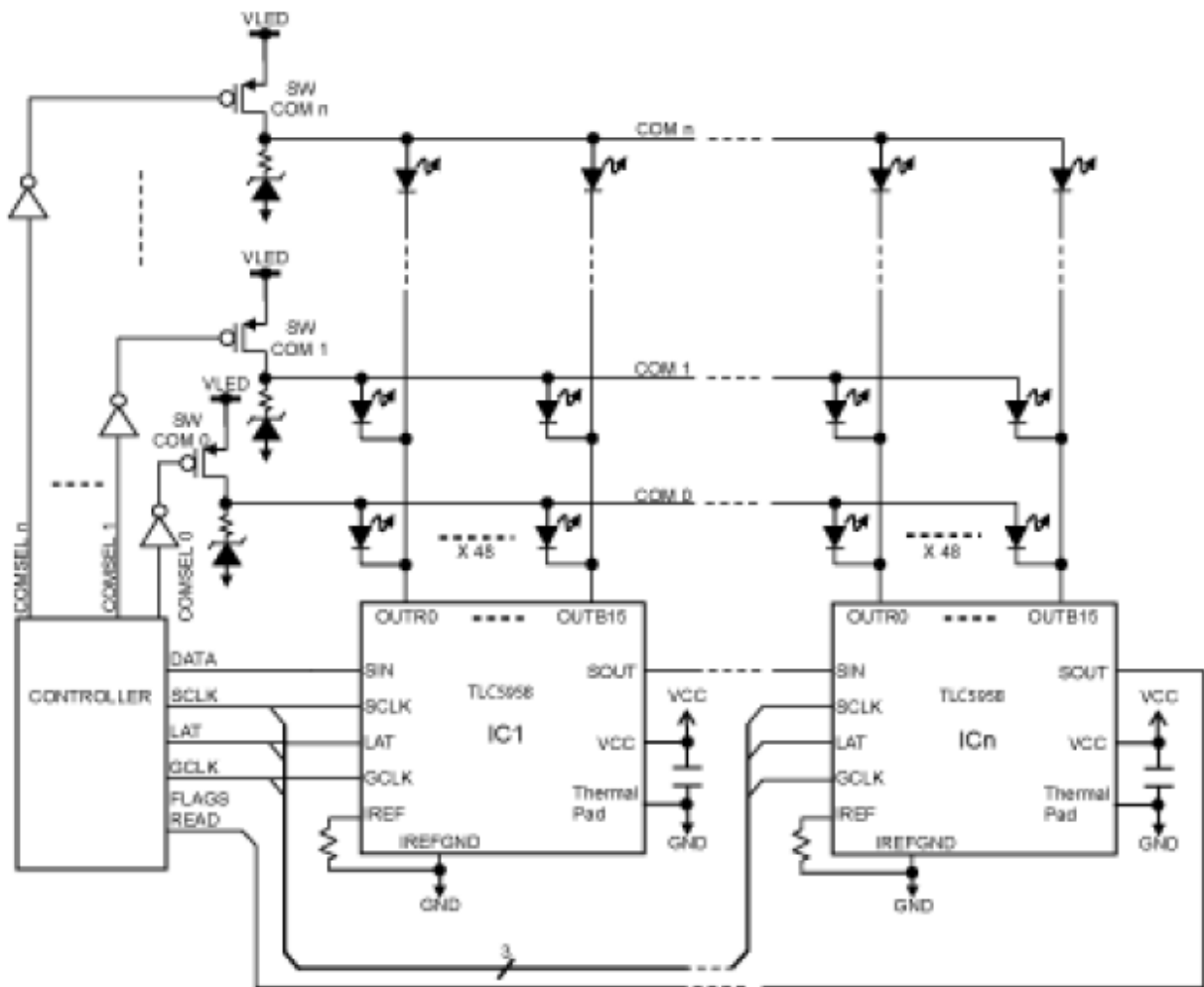
TLC would receive a VSYNC command at the end of the 32th address line to prepare the new frame datas.

The first approach was to provide a PWM at 800KHz and put it back to the LPC on a TMR CAP Input, use 2 MAT outputs to provide a line period and gate(NOR) the PWM with it.

*First issue, halting time after the 257 periods wasn't constant and dependent of PWM frequency.  
Second issue, much I/O used only for this purpose.*

## Electronic Design

### TLC related Design



**Figure 1. Typical Application Circuit (Multiple Daisy Chained TLC5958s)**

Example: 8+8 mode, Multiplexing ratio 1/32



**Figure 16. Controller Timing Sequence, 8+8 Mode, 32 Multiplexing**

TLC is wired like on an SPI bus to Core Board. Here are connections equivalences:

- SCLK ⇒ SC
- DATA ⇒ SO
- LAT ⇒ RC

- FLAGS READ ⇒ SI

### STM32F4 I/O Ports

Note: Command is coded by putting LAT active during a defined number of SCLK periods. For example for a VSYNC command, LAT must be high during 3 SCLK pulses.

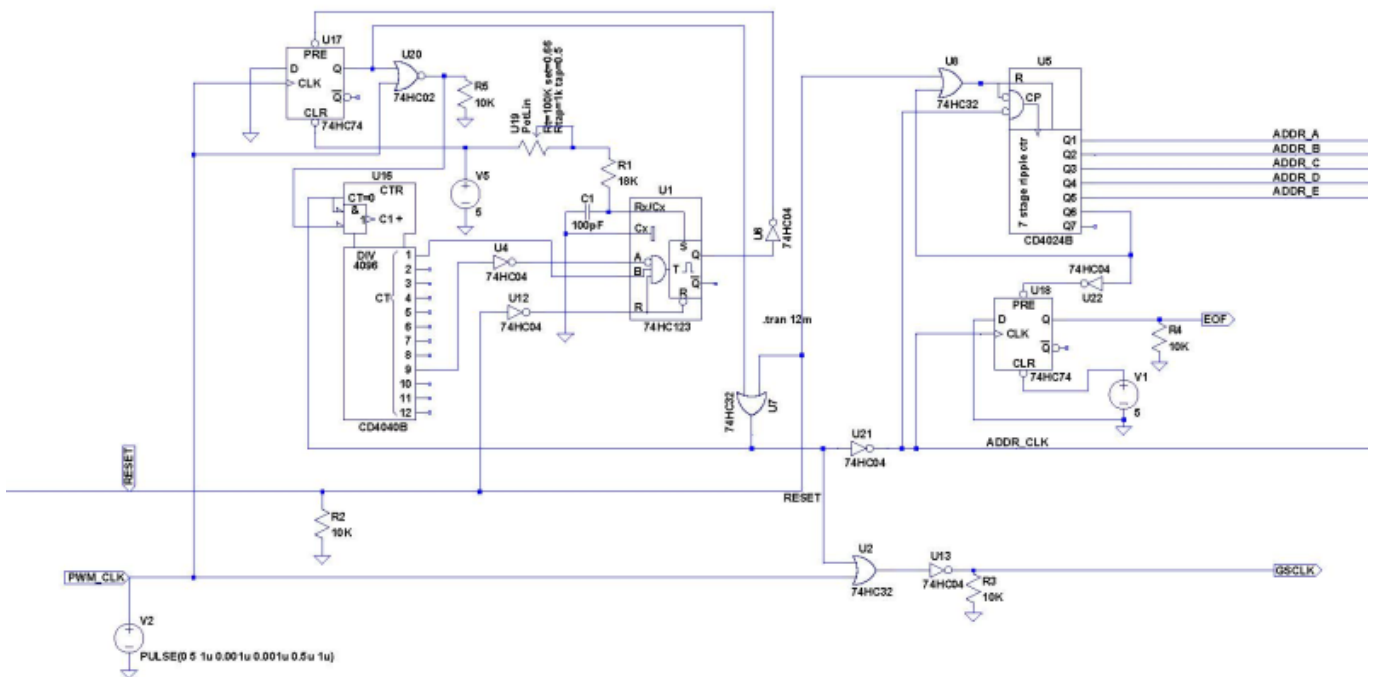
TLC5958 don't need to have data sent for each multiplex address like for the BLM.

**Frame update is needed only when a change occurs, TLC keep all the frame in memory and continue to distribute it to the 32 addresses lines and 16 rgb leds by address**

### GrayScale Clock

The TLC needs a GrayScale Clock(GSCLK) and additional control to multiplex 32 addresses (named COMSELx in diagram). The GSCLK signal should be 257 pulses + 1.5~2.5µs of interval between segments . COMSEL management needs 32 multiplexing adress lines for (5 bits coded and decoded directly on the top board).

### Clock Schematic



The external clock circuit was simulated on LTSpice first and tested on veroboard with the prototyped OLRE16.

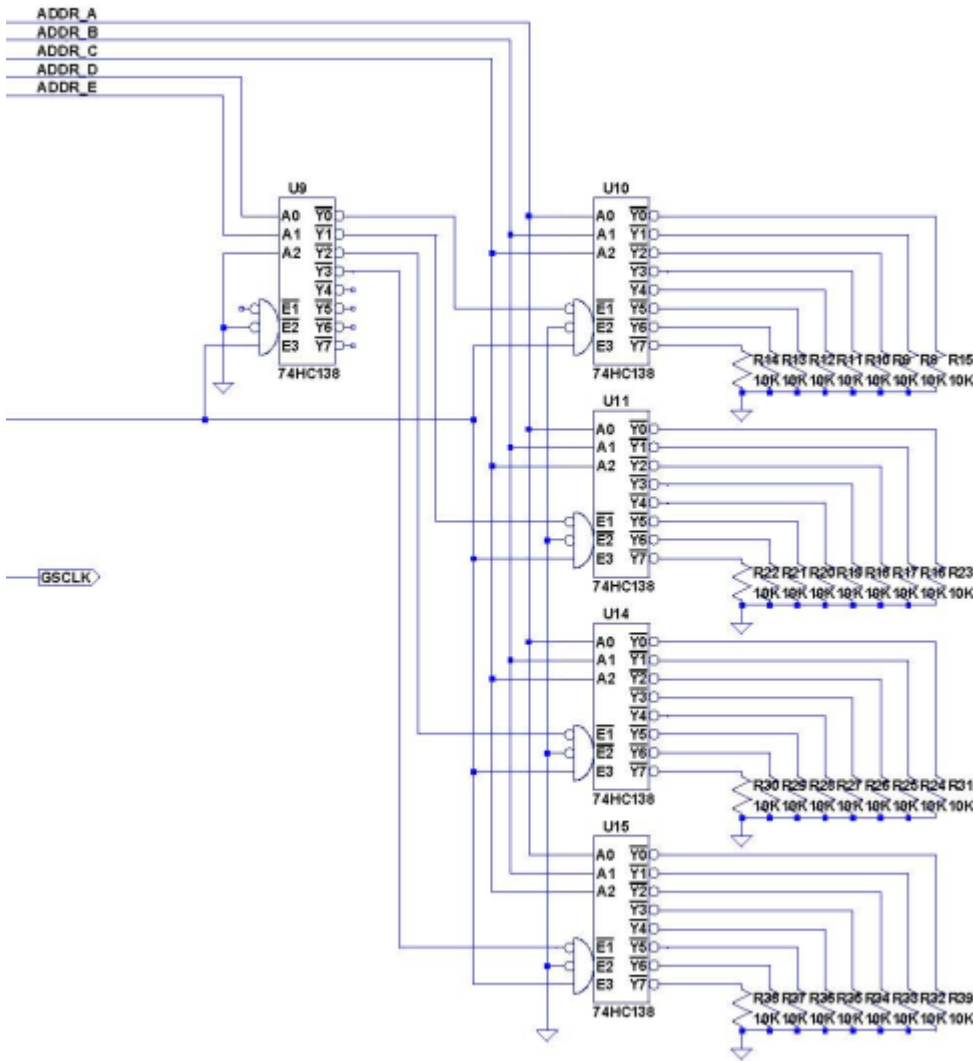
PWM\_CLK, RESET and EOF are connected to the CORE

CORE provides a regular Clock with PWM @2MHz .The 12bit counter U16 counts until 257 and trigs U1 wich is a monostable, U1 swichs, resets the counter and stops the clock counter CLK input by U17(D-Flipflop).

After a certain time given by the RC couple on U1, U1 switch back and restarts the counter. By this way we are sure to count the exact 257 Clocks needed and the interval between 2 segments is fixed by the trimpot U19.

**GSCLK signal is then high during the 257 clocks period and low during the interval**

### Multiplexing Schematic



ADDR\_x, ADDR\_CLK, GSCLK are connected to the top board...

ADDR\_CLK is the multiplexed lines clock . It's used to gate the PWM signal and obtain the GSCLK and of course, as a clock for the ADDR Counter U5. The counter U5 provides the coded ADDR\_x lines and an EOF(End Of Frame) when 32 is reached.

To be continued... 😊

From:

<https://wiki.midibox.org/> - **MIDIbox**

Permanent link:

[https://wiki.midibox.org/doku.php?id=mb\\_olre16&rev=1474734633](https://wiki.midibox.org/doku.php?id=mb_olre16&rev=1474734633)

Last update: **2016/09/24 16:30**

