

MB AY (YM) Boards

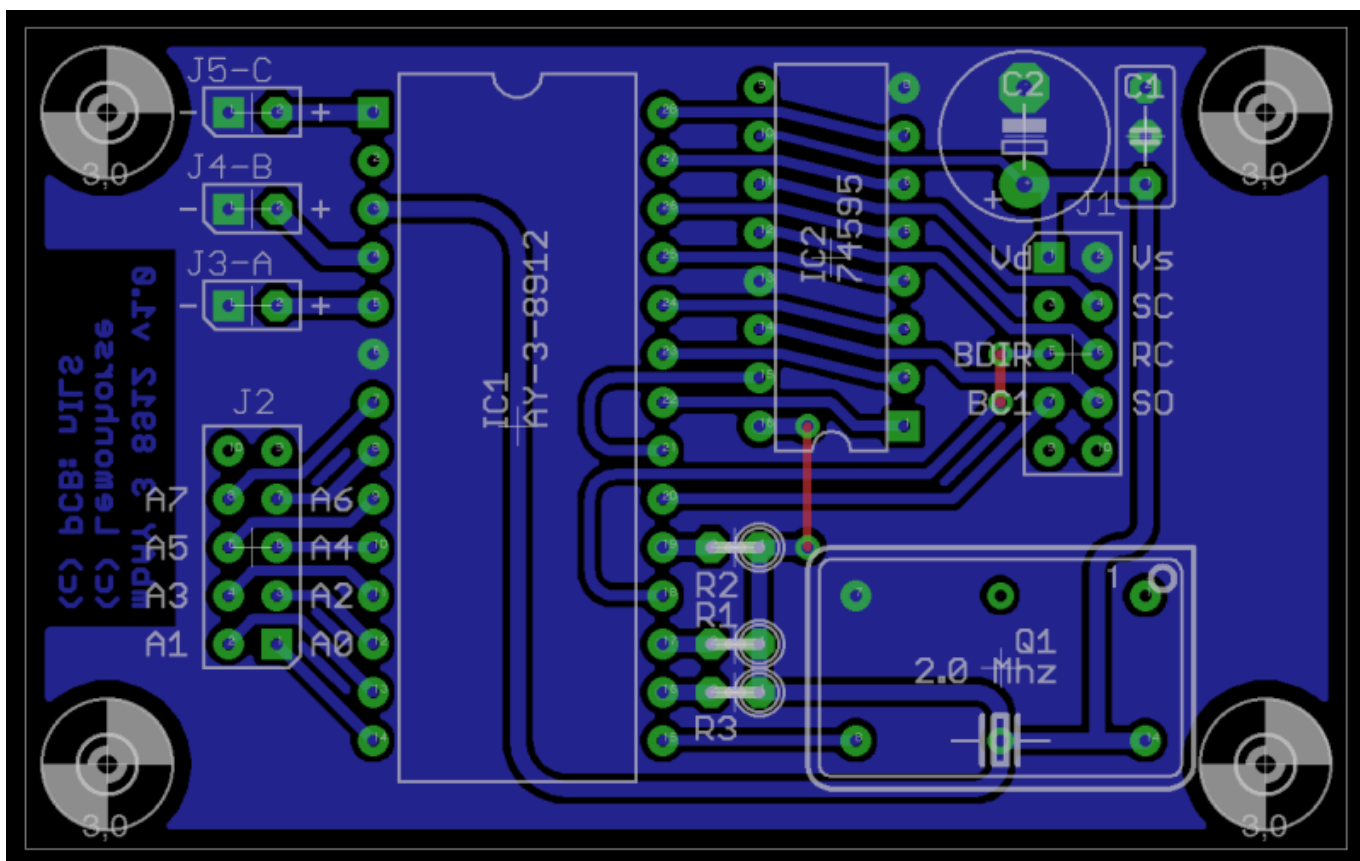
Obtain PCB's

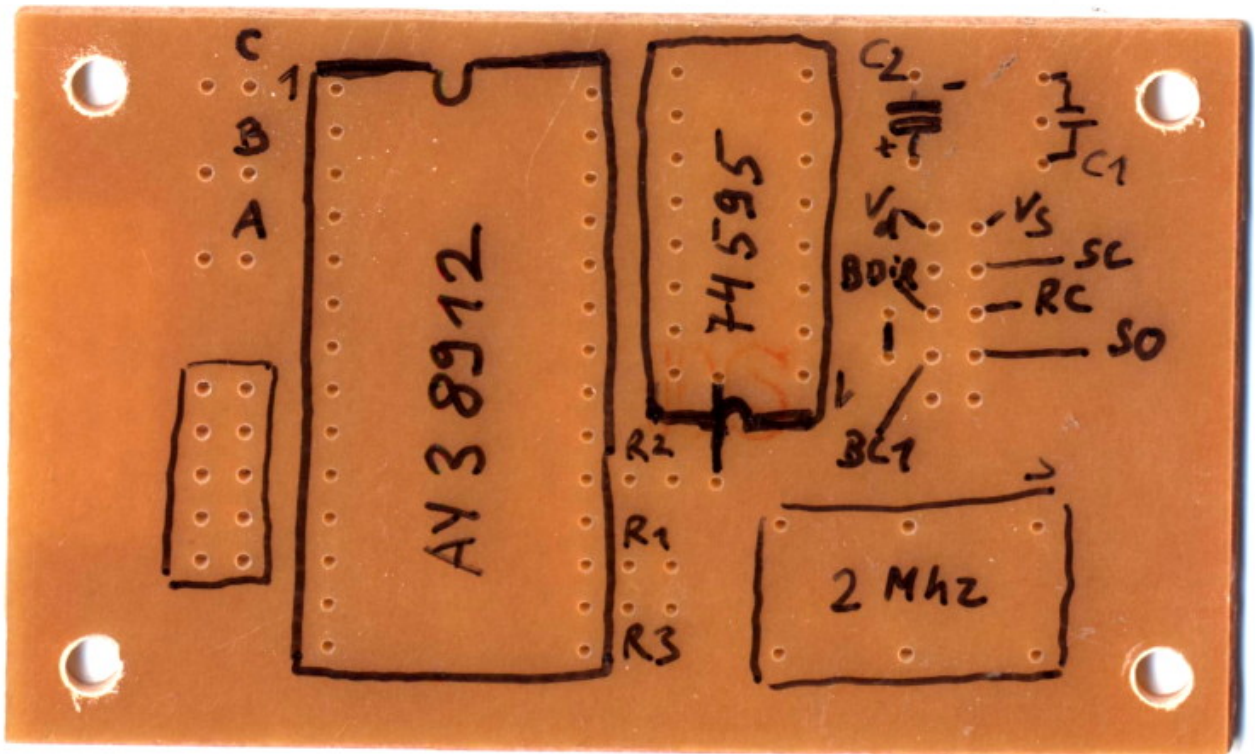
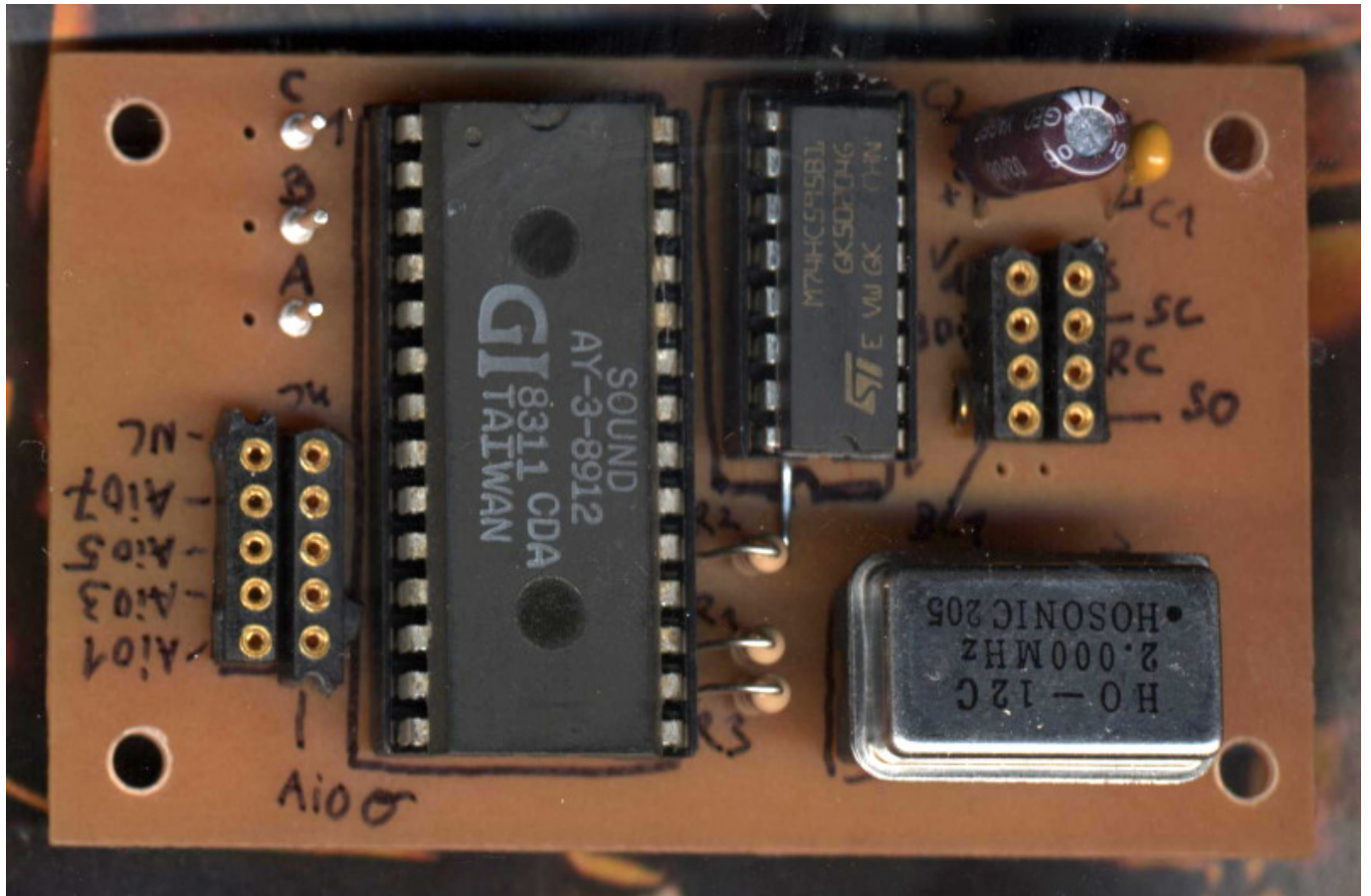
The AY 3 8912, YM 2149 and the Mixer PCB are available at Mikes Onlineshop

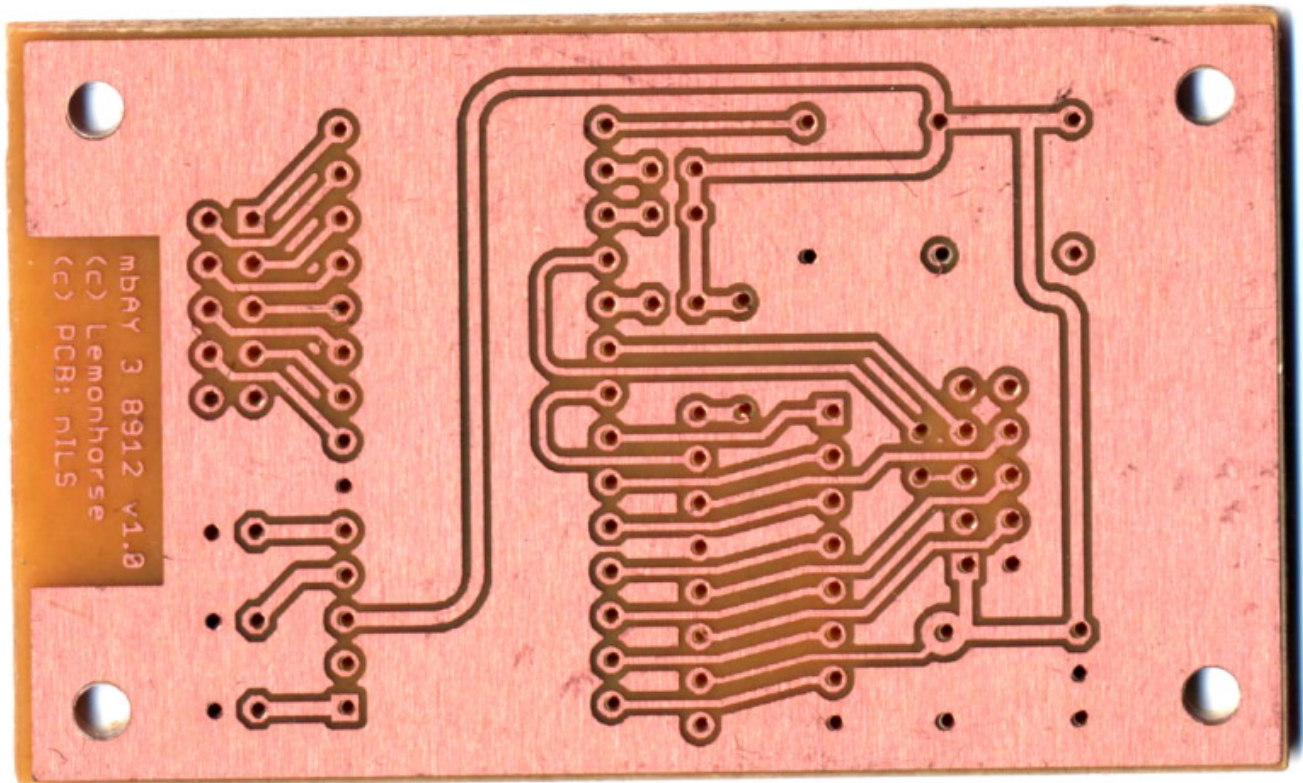
CORE8 <-> AY (YM) (pdf)

- [AY 3 8912 & YM2149 PCB Interconnections](#)

AY 3 8912 board



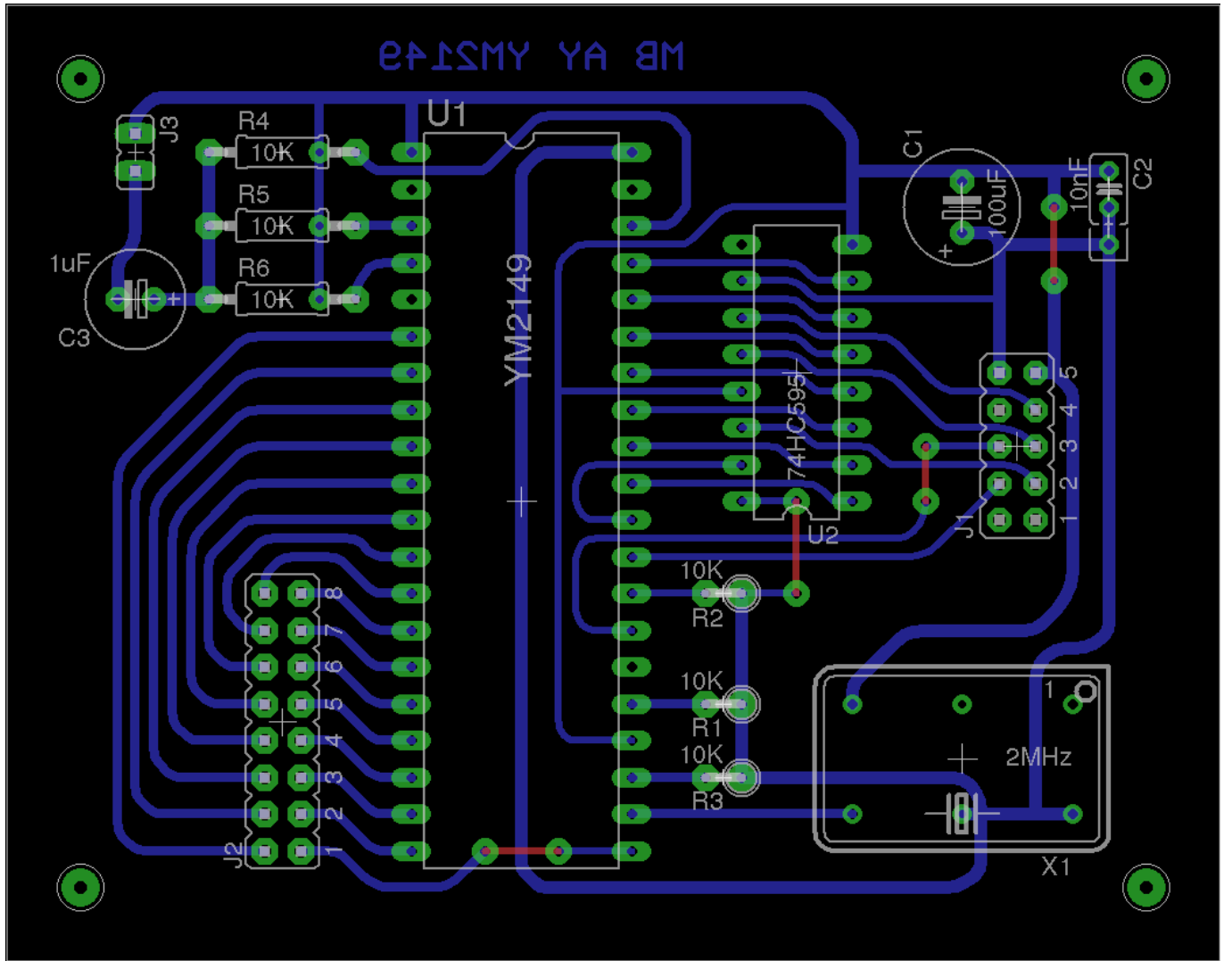




AY 3 8912 board PCB Layout+Parts List:

- [mbAY38912.pdf](#)
- [mbay38912pcbpartlistv1.txt](#)

YM2149 Board





YM2149 Board Parts list:

- [PartlistYM2149PCB.txt](#)

From: <https://www.midibox.org/dokuwiki/> - **MIDIbox**

Permanent link: https://www.midibox.org/dokuwiki/doku.php?id=midibox_ay_3_8912_board

Last update: **2016/06/14 13:25**

