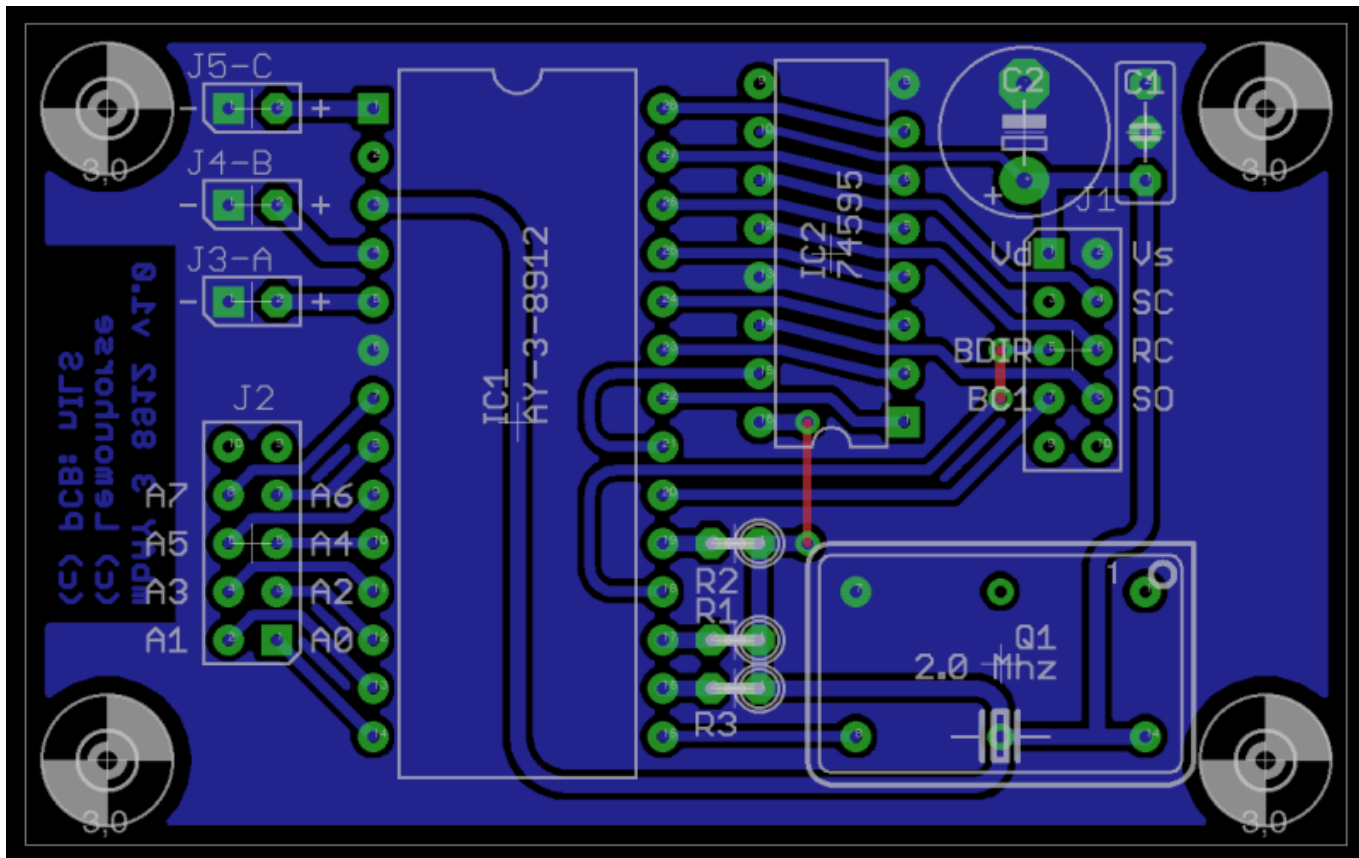


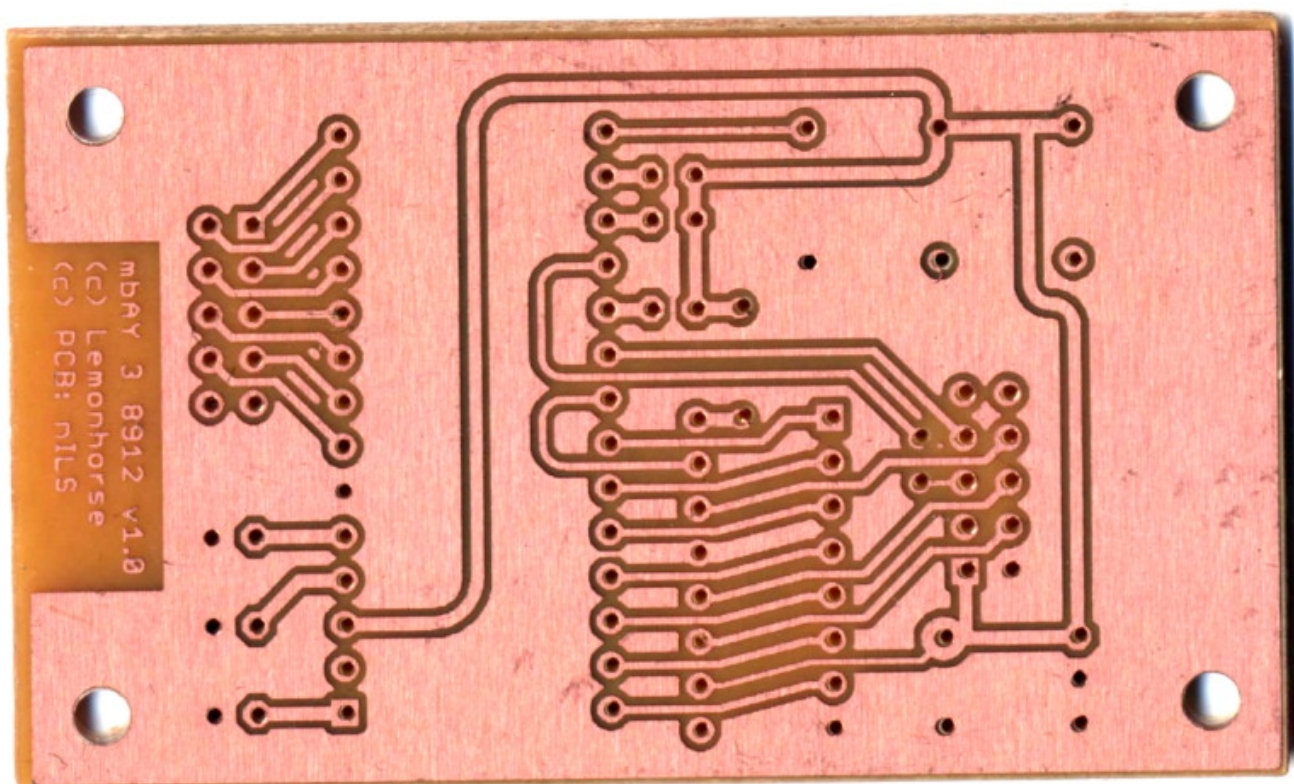
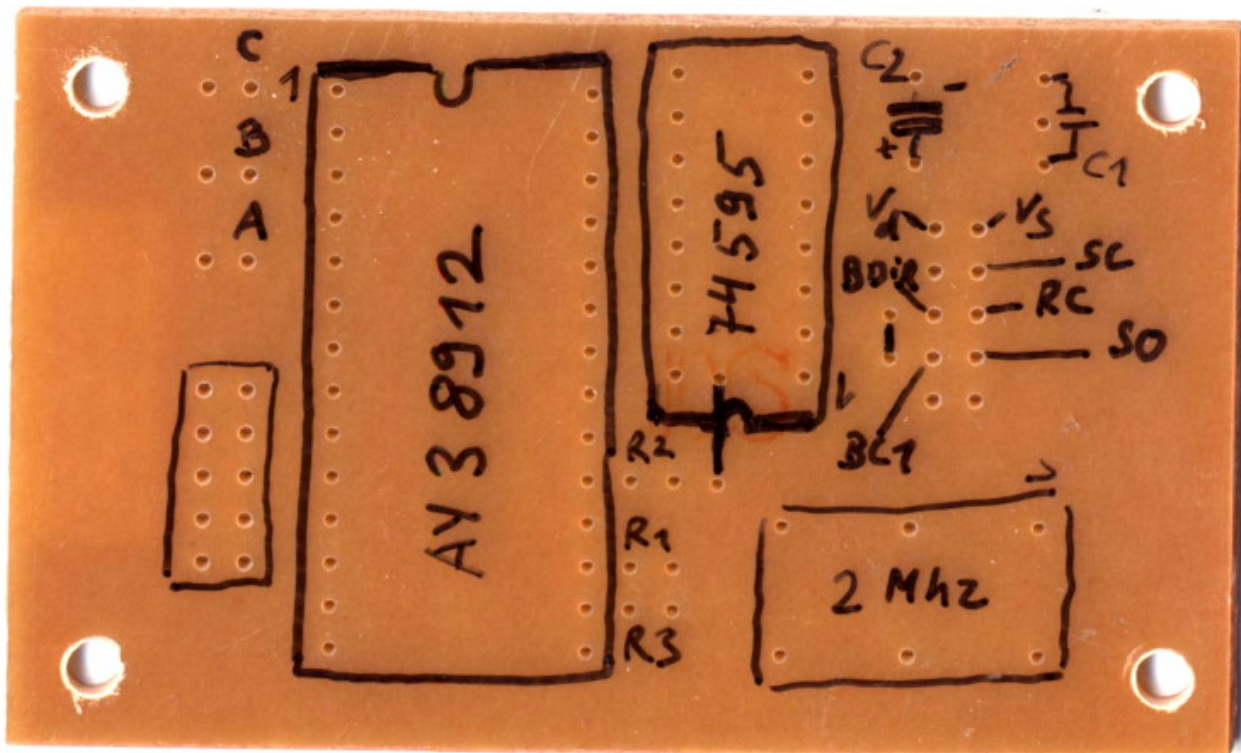
# MB AY (YM) Boards

## AY 3 8912 board



:

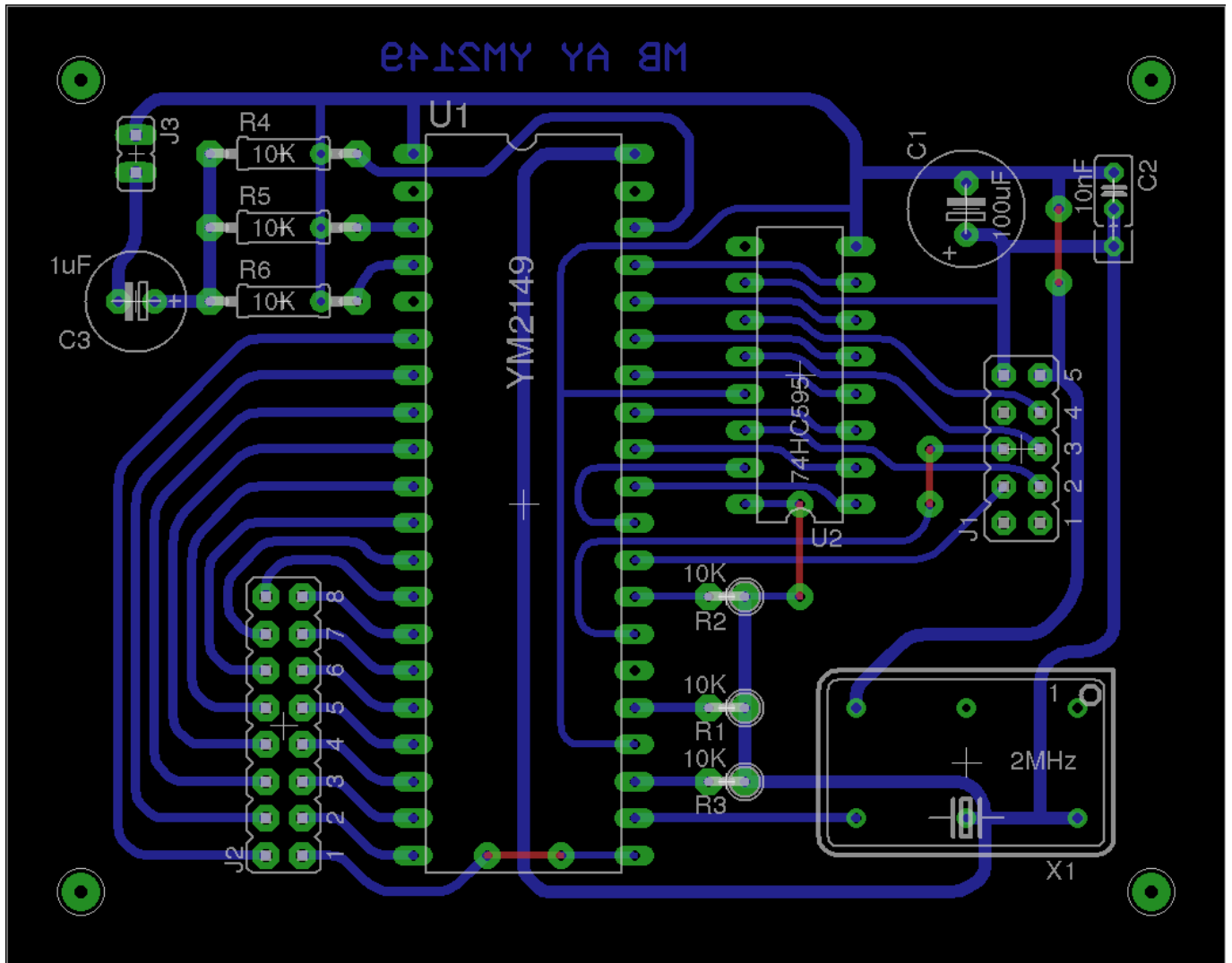




MB AY (YM) Interconnections: ⇒ <http://www.subfrequenz.net/midibox/mbayv2/mbayv2con.pdf>

::

# YM2149 Board





### PCB Layout (pdf)

[mbAY38912.pdf](#)

::

:

### Parts List

[mbay38912pcbpartlistv1.txt](#)

::

:

### PCB

The AY 3 8912 PCB and the AY 3 8912 OP-Mixer PCB are available at Mikes Onlineshop

[http://www.mikes-elektronikseite.de/shop\\_englisch/index.htm](http://www.mikes-elektronikseite.de/shop_englisch/index.htm)

[26.09.2008]

From:

<https://wiki.midibox.org/> - **MIDIbox**

Permanent link:

[https://wiki.midibox.org/doku.php?id=midibox\\_ay\\_3\\_8912\\_board&rev=1305306885](https://wiki.midibox.org/doku.php?id=midibox_ay_3_8912_board&rev=1305306885)

Last update: **2011/05/13 17:14**

