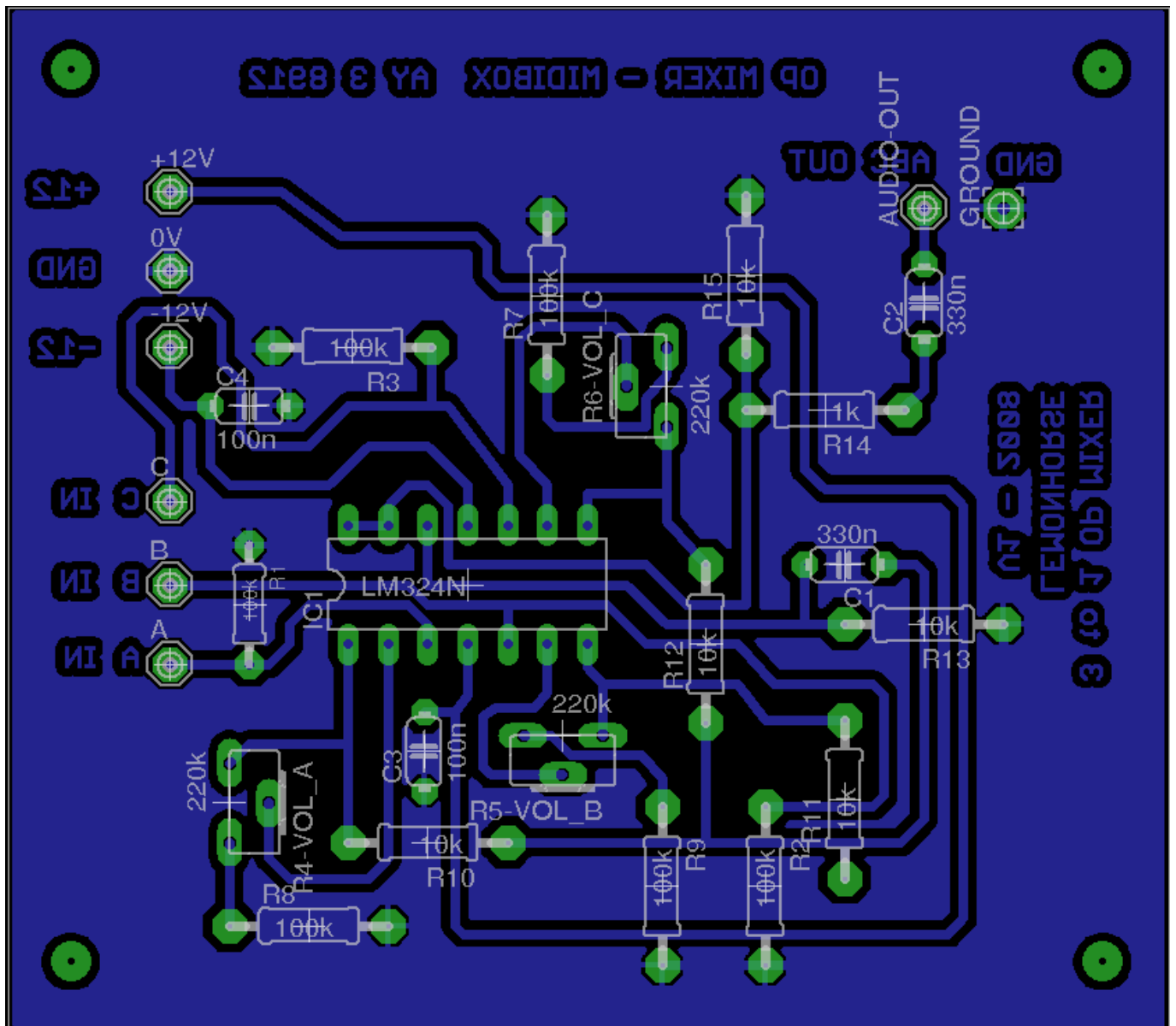
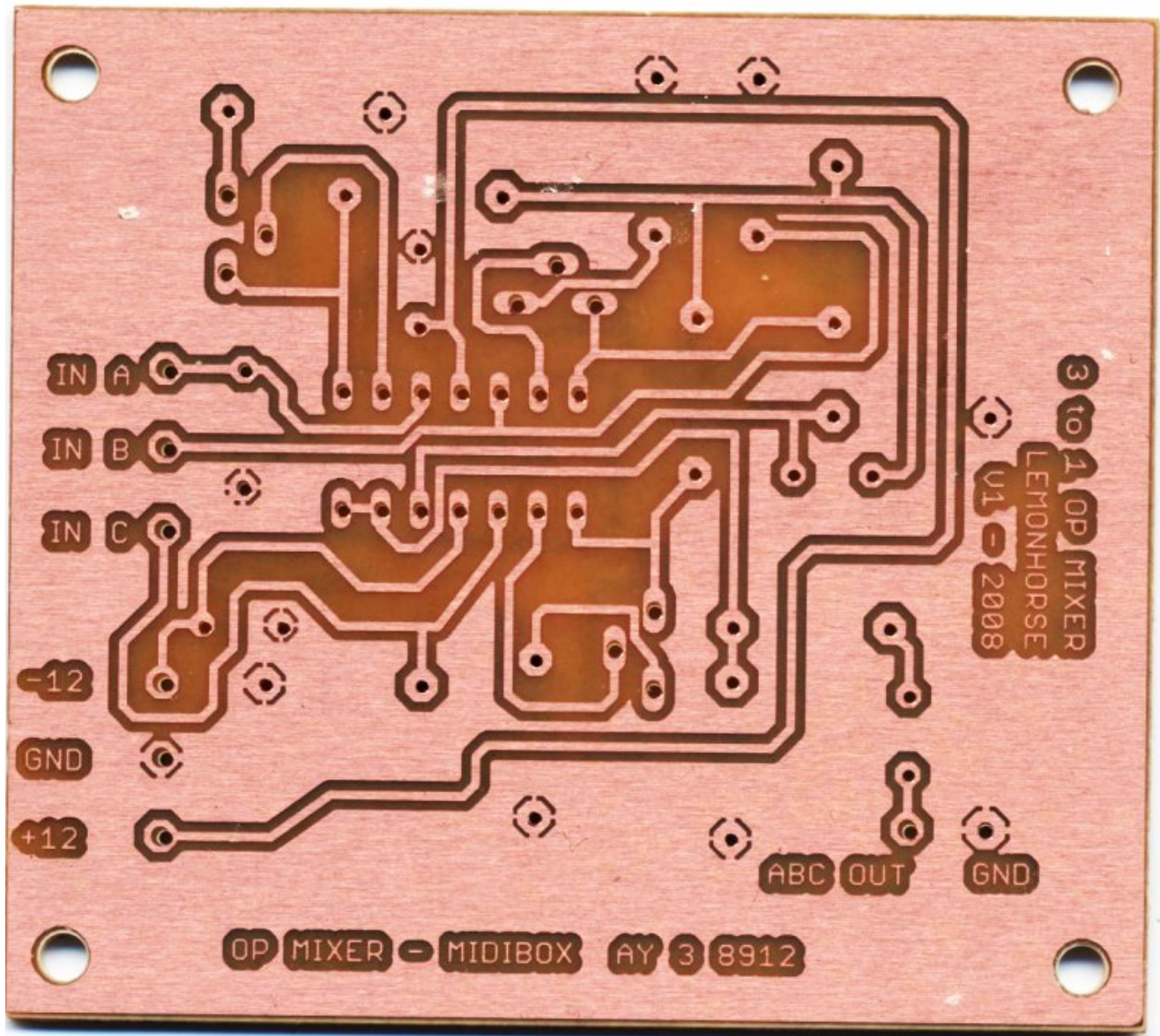
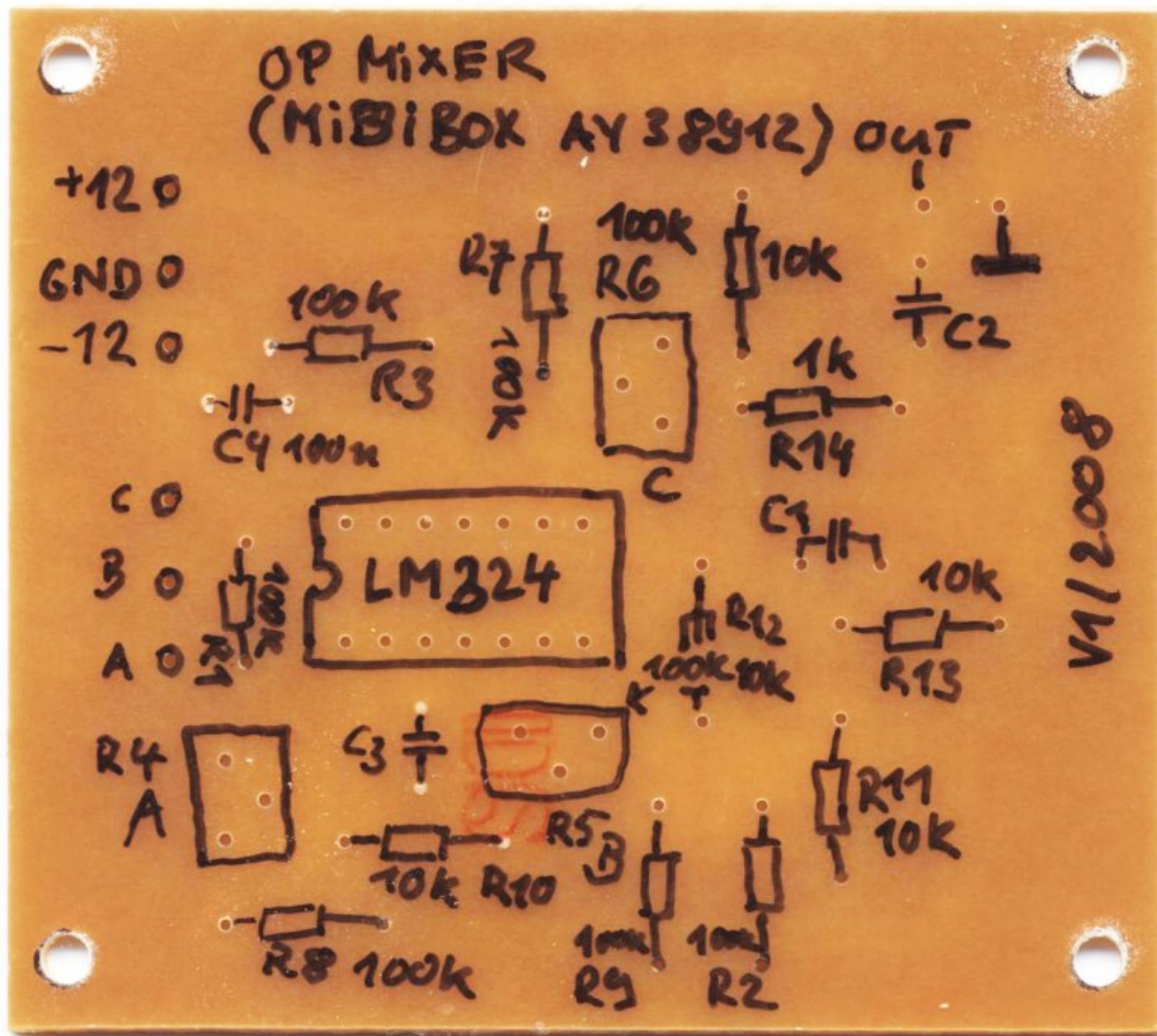


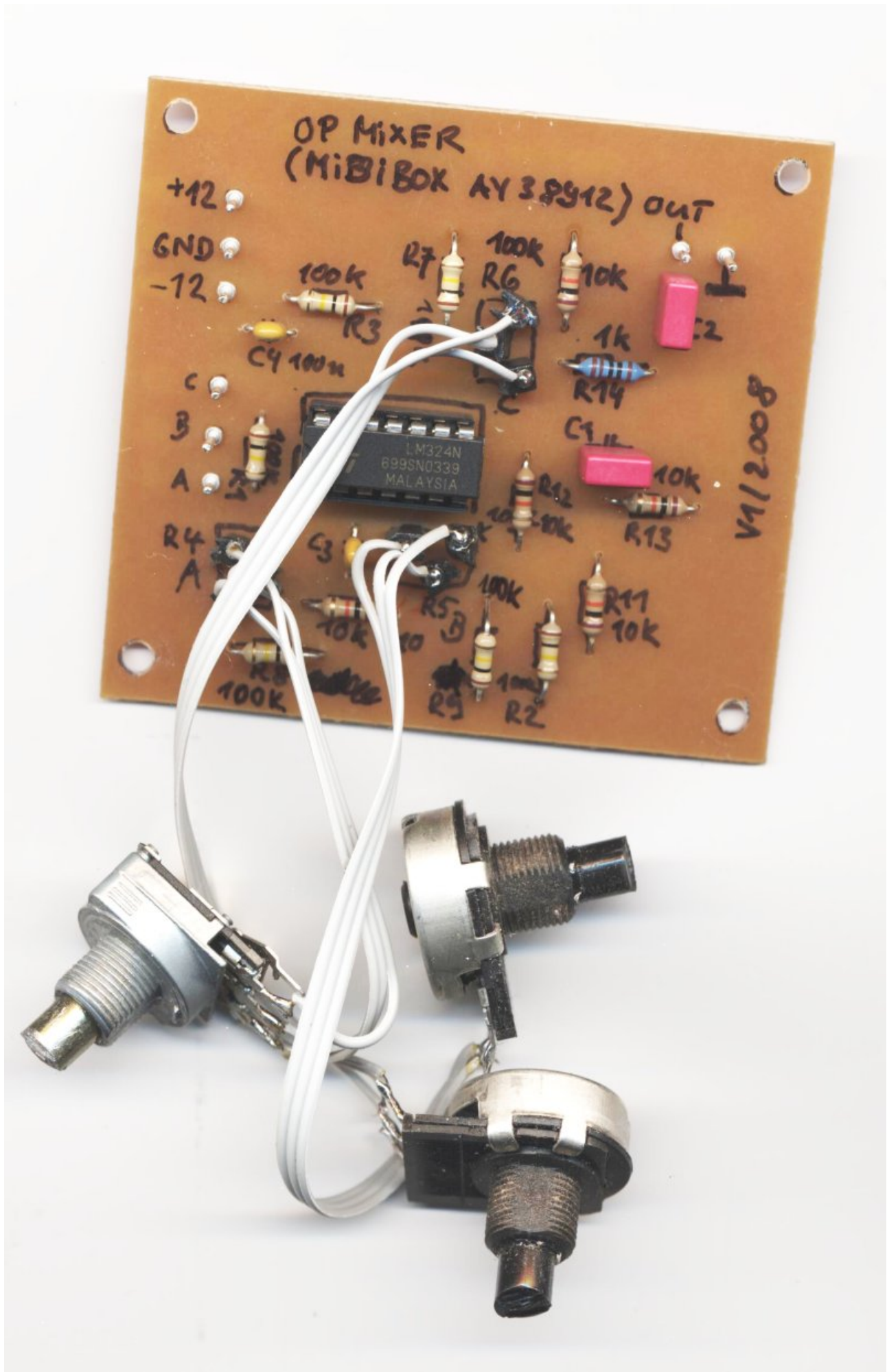
MIDIBox AY 3 8912 Mixer

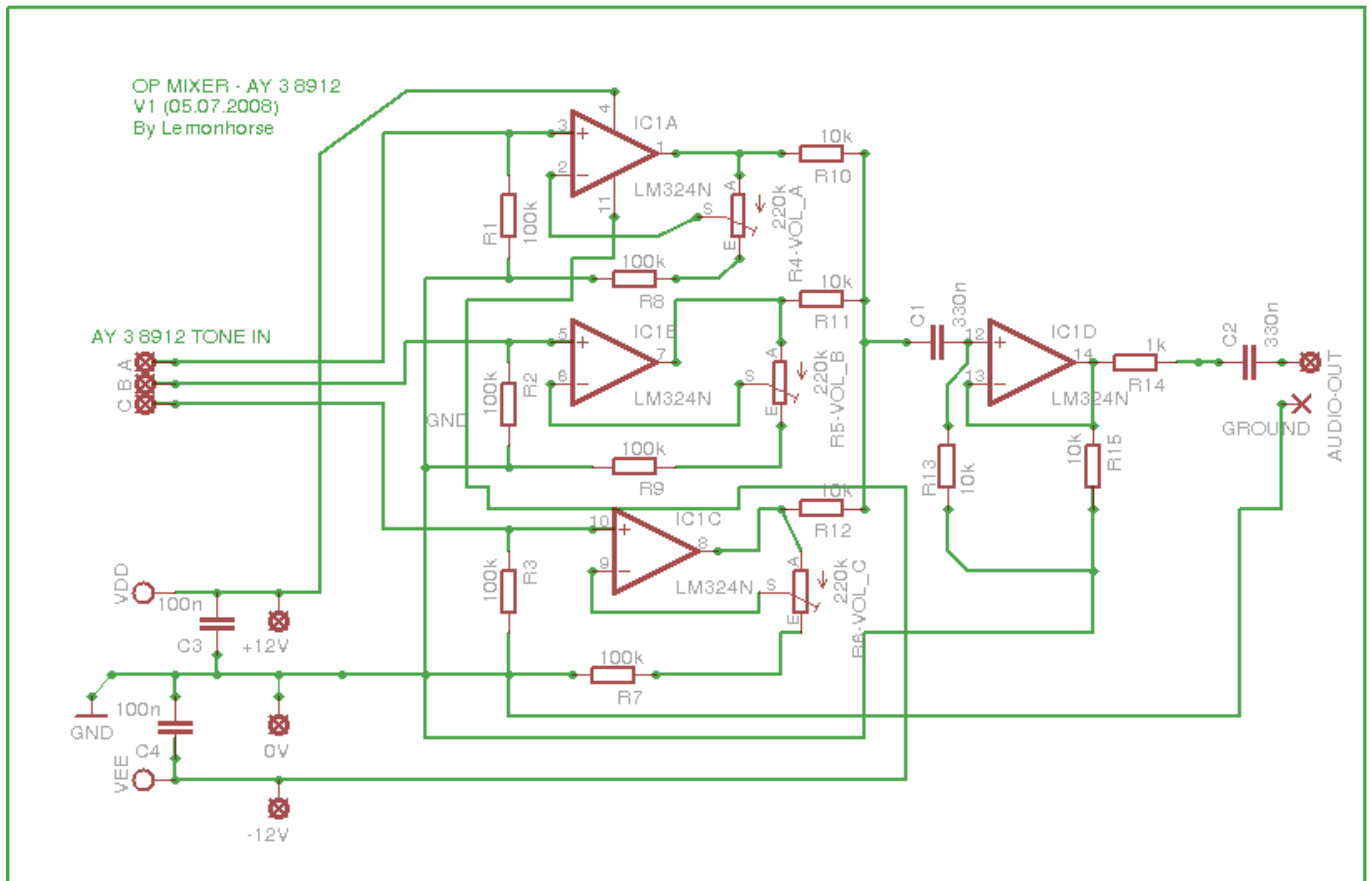
- OP AMP Mixer (Tone ABC) for the MIDIBox AY 3 8912 (Ver. 1a)











Notes:

- Pot R4 (Volume Tone A), R5 (Volume Tone B) and R6 (Volume Tone C) are designed for volume finetuning (not for turning off tone A/B/C)

Pot Options:

- R4, R5, R6 = 100k (less volume)
- R4, R5, R6 = 220k (more volume)

OP: LM324N (4xOP, +/-12V) - Datasheet:

- ⇒ [LM324N.pdf](#) /
- ⇒ [lm324.pdf](#)

Download: Eagle 5.1 Files + Partlist - MIDIBox AY 3 8912 Mixer (Ver.1a)

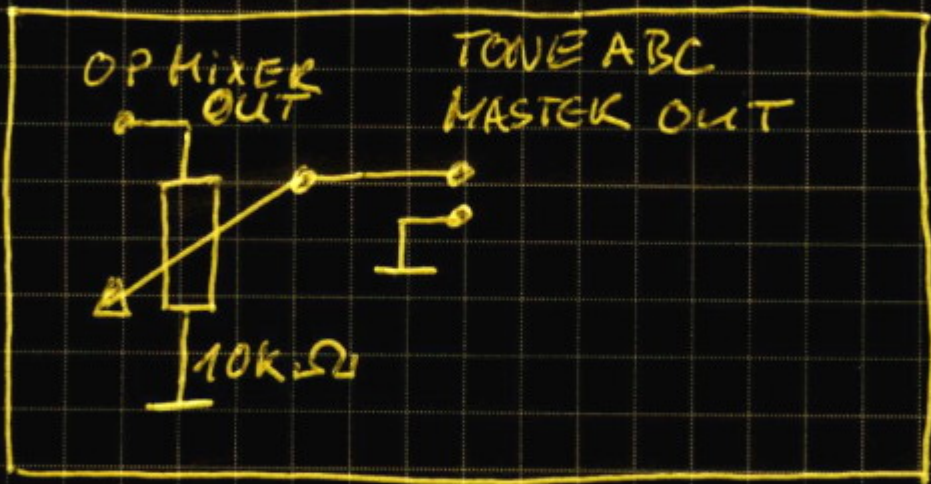
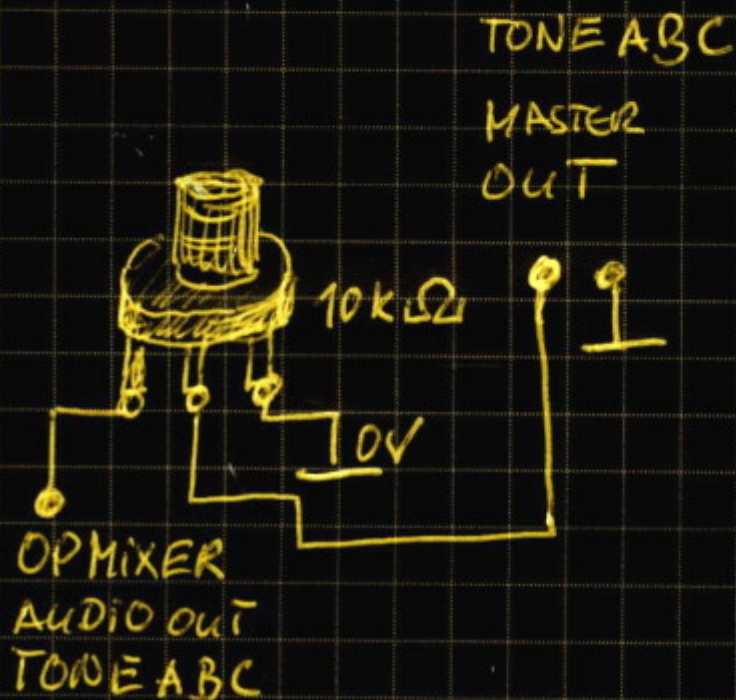
[mby_eagle.zip](#)

⋮ ⋮ ⋮

MASTER VOLUME POT

MASTER VOLUME POT

MIDiBOX AY 3 8912

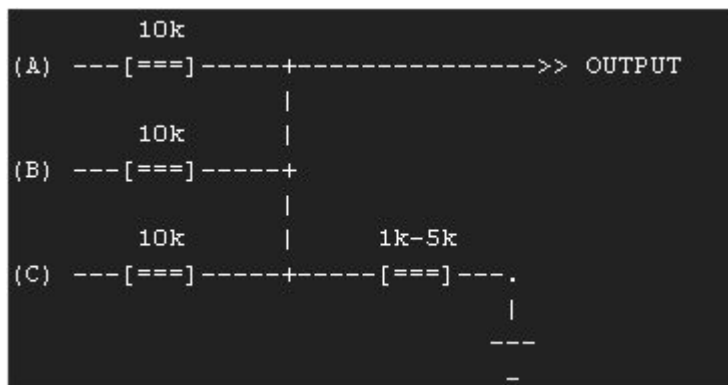


Lemouhose
07.09.2008

.....

No OP MIXER Option

Notice: "You can easily leave out the opamp buffer board for testing. Just connect all three outputs via 10k resistors and add a pulldown of 1k-5k from that signal to ground." (nILS Podewski, 2008-10-02)



⋮

⋮

:

PCB

The AY 3 8912 PCB and the AY 3 8912 OP-Mixer PCB are now available at Mikes Onlineshop

http://www.mikes-elektronikseite.de/shop_englisch/index.htm

[26.09.2008]

[07.10.2008]

From:

<https://wiki.midibox.org/> - **MIDIbox**

Permanent link:

https://wiki.midibox.org/doku.php?id=midibox_ay_3_8912_mixer&rev=1225050030

Last update: **2008/10/26 19:40**

