

# MIDIBox AY 3 8912 - C64 Keyboard

## MIDIbox AY 3 8912 - The Commodore 64 Keyboard (interconnection)

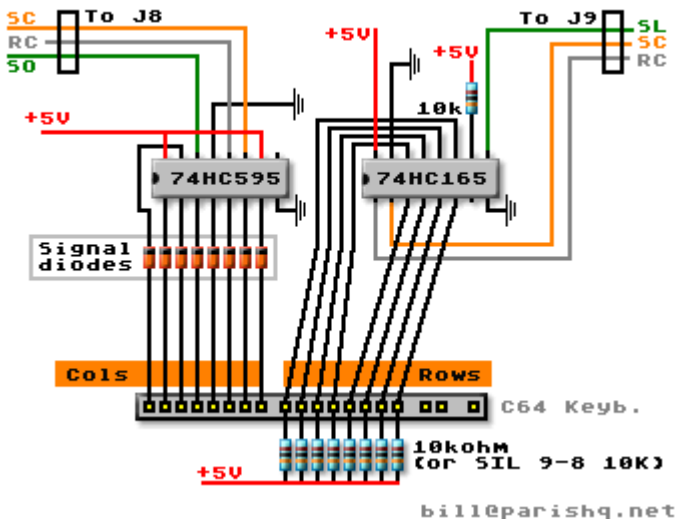


The C64 Keyboard must be connected to **MBHP DOUT** (DOUT1: J3(Pin D0 to D7)) and **MBHP DIN** (DIN1: J3/J4(Pin D0 to D7))

See DOUTX4 ⇒ [http://ucapps.de/mbhp/mbhp\\_doutx4.pdf](http://ucapps.de/mbhp/mbhp_doutx4.pdf)

See DINX4 ⇒ [http://ucapps.de/mbhp/mbhp\\_dinx4.pdf](http://ucapps.de/mbhp/mbhp_dinx4.pdf)

**C64 Keyboard connection to MBHP v2**  
<http://ucapps.de>



:::

From:  
<https://wiki.midibox.org/> - **MIDIbox**

Permanent link:  
[https://wiki.midibox.org/doku.php?id=midibox\\_ay\\_keyboard&rev=1269861399](https://wiki.midibox.org/doku.php?id=midibox_ay_keyboard&rev=1269861399)

Last update: **2010/03/29 11:16**

