

# MIDIBox AY 3 8912 - C64 Keyboard

## MIDIbox AY 3 8912 - The Commodore 64 Keyboard



⇒ [http://en.wikipedia.org/wiki/Commodore\\_64](http://en.wikipedia.org/wiki/Commodore_64)

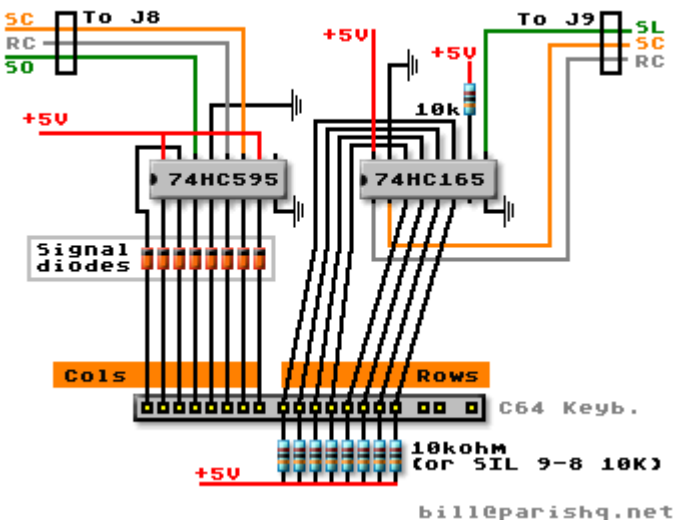
## Commodore64 Keyboard MBHP Interconnection

The C64 Keyboard must be connected to **MBHP DOUT** (DOUT1: J3(Pin D0 to D7)) and **MBHP DIN** (DIN1: J3/J4(Pin D0 to D7))

See DOUTX4 ⇒ [http://ucapps.de/mbhp/mbhp\\_doutx4.pdf](http://ucapps.de/mbhp/mbhp_doutx4.pdf)

See DINX4 ⇒ [http://ucapps.de/mbhp/mbhp\\_dinx4.pdf](http://ucapps.de/mbhp/mbhp_dinx4.pdf)

C64 Keyboard connection to MBHP v2  
<http://ucapps.de>



∴

From: <https://wiki.midibox.org/> - MIDIbox

Permanent link: [https://wiki.midibox.org/doku.php?id=midibox\\_ay\\_keyboard&rev=1269867146](https://wiki.midibox.org/doku.php?id=midibox_ay_keyboard&rev=1269867146)

Last update: 2010/03/29 12:52

