

MIDIBox AY 3 8912 - C64 Keyboard

MIDIbox AY 3 8912 - The Commodore 64 Keyboard



⇒ http://en.wikipedia.org/wiki/Commodore_64

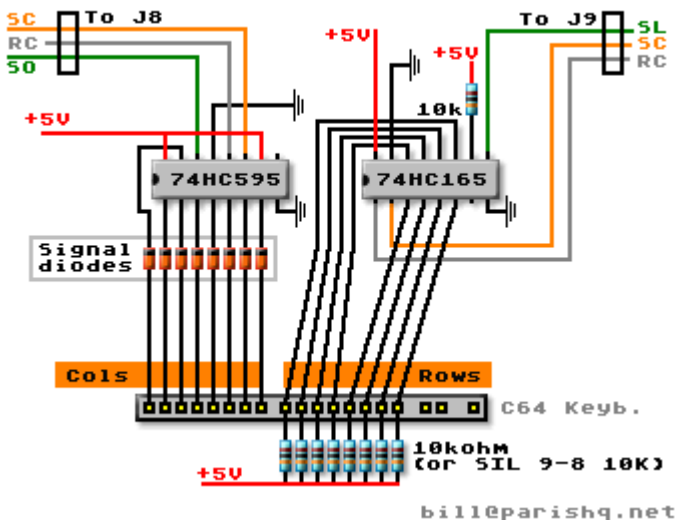
Commodore64 Keyboard MBHP Interconnection

The C64 Keyboard must be connected to the **MBHP DOUT** (DOUT1: J3(Pin D0 to D7)) Board and **MBHP DIN** (DIN1: J3/J4(Pin D0 to D7)) Board

See DOUTX4 ⇒ http://ucapps.de/mbhp/mbhp_doutx4.pdf

See DINX4 ⇒ http://ucapps.de/mbhp/mbhp_dinx4.pdf

C64 Keyboard connection to MBHP v2
<http://ucapps.de>



∴

From: <https://wiki.midibox.org/> - MIDIbox

Permanent link: https://wiki.midibox.org/doku.php?id=midibox_ay_keyboard&rev=1269867257

Last update: 2010/03/29 12:54

