

# MIDIBox AY 3 8912 - C64 Keyboard

The MIDIBox AY has no Encoders or Buttons - but a C64 Keyboard.

## The Commodore 64 Keyboard



⇒ [http://en.wikipedia.org/wiki/Commodore\\_64](http://en.wikipedia.org/wiki/Commodore_64)

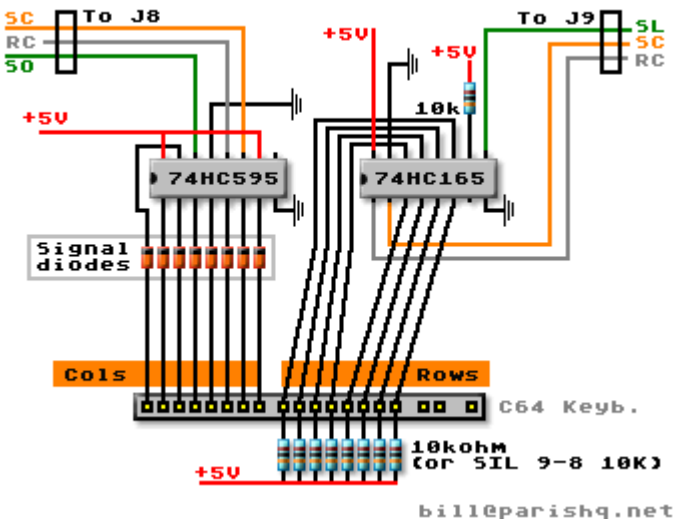
## Commodore64 Keyboard MBHP Interconnection

The C64 Keyboard must be connected to the **MBHP DOUT** (DOUT1: J3(Pin D0 to D7)) Board and **MBHP DIN** (DIN1: J3/J4(Pin D0 to D7)) Board

See DOUTX4 ⇒ [http://ucapps.de/mbhp/mbhp\\_doutx4.pdf](http://ucapps.de/mbhp/mbhp_doutx4.pdf)

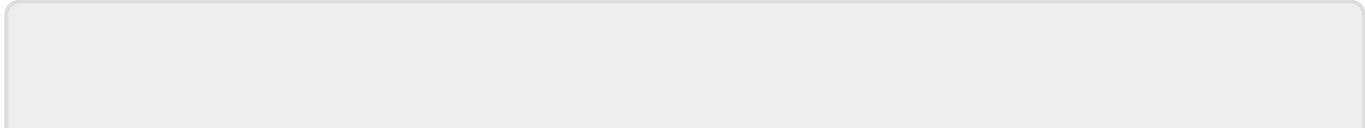
See DINX4 ⇒ [http://ucapps.de/mbhp/mbhp\\_dinx4.pdf](http://ucapps.de/mbhp/mbhp_dinx4.pdf)

**C64 Keyboard connection to MBHP v2**  
<http://ucapps.de>



∴

See also **MidiBoxKB by bill** ⇒ [midiboxkb\\_-\\_using\\_a\\_c64\\_keyboard\\_as\\_input](#)



From:

<https://wiki.midibox.org/> - **MIDIbox**

Permanent link:

[https://wiki.midibox.org/doku.php?id=midibox\\_ay\\_keyboard&rev=1269867850](https://wiki.midibox.org/doku.php?id=midibox_ay_keyboard&rev=1269867850)

Last update: **2010/03/29 13:04**

