

## Analog/Digital interfacing

This page has some ideas on how to mod analog gear, for instance effects and (drum) synths, so that they can be controlled by MIDI, in particular by MIDIboxes.

Like the rest of the WIKI this is going to be a living document that is going grow and be modified, until it is complete.. ;)

## Forum discussions about this topic:

[Analog effects, was "Midifying a sega genesis"](#) - it all began here

[Analogue Drum Modules](#)

[midification of an analog filter](#)

[Digitally controlled resistors](#)

[converting CV to resistance?](#)

[Midibox as Switcher advice sought](#)

[PGA Audio Mixer Chip projects](#)

[MB MicroMixer - A Simple MIDI Controlled Audio Mixer](#) - includes links to other mixer proposals and useful components

## External links and resources:

[CV/Gate](#) - start here if you're new to all this stuff. Also links to articles on DIN sync and Roland DCB (wikipedia)

[CAG: Cloned Analog Gear](#) - mostly synth, some FX, voltage controlled resistors, ADSR etc. Collection of projects from electronics mags as PDFs

[YuSynth Modular](#) - personal project site with full schematics, PCB and component layouts, parts list for modern components. Cloned filters from the MiniMoog, Steiner, ARP, EMS; LFOs, envelopes, wavefolder distortion, mixers etc

[Bridechamber DIY](#) - diy site offering a small&cheap VCR pcb/schematic using vactrols

[Higly Liquid](#) -MIDI Kits, Circuit Bending, Custom Electronic Instruments, checkout the MPA MIDI Decoder; 4 x potentiometer output and 8 x logic output controlled by midi

[VC LFO and ADSR on PIC 16s](#) - cloning analogue LFO and ADSR with PICs.

[C A Y O C O S T A](#) - schematics, wiring layouts, parts lists, chassis templates, photos and mp3 samples related to building your own classic recording studio equipment

[PAiA](#) - Famous maker of reasonably priced kit modulars, filters, rack/desk synths, theremins, MIDI controllers, FX

[Music From Outer Space](#) - synth DIY site with many fully documented designs and PCBs for sale. Home of the famous [Sound Lab Mini Synth](#)

## Midifying Pots, Resistors and other Tunable Controls

In practice this means make a circuit that can act as a controllable resistor and replace the original pot or resistor in a circuit. This can be done several ways:

- [analog](#) voltage controlled resistors (VCR) on MIDI to CV converter or AOUT module.
- [digital](#) digipots (digital potentiometers) or digitally controlled resistors (DCRs), or a resistor ladder network and relays.

- [mechanical](#) - coupling analog pots with motorpots on MF module.

## Analog: Voltage Controlled Resistors

The MIDIbox platform already interfaces with the analog world. The MIDIbox CV and the AOUT\_LC module can convert MIDI messages to control voltages for variable values and notes, and to gates for on/off and trigger messages. So the first and most important link for MIDification has been made.

Although a lot of analog synths and music gear (DIY or old school) have implemented voltage control for automation and modulation of basic parameters like pitch (VCOscillators), volume (VCAmplifiers) and timbre (VCFilters), this is where it usually stops.

However, there are a lot of nice DIY designs on the net that would be way more interesting and usable if their parameters could be voltage controlled.

For instance:

- DIY stompbox/guitar effects: distortions, flangers, delays, reverbs etc.
- Analog drums (most of the time only have trigger/gate and maybe accent control inputs)
- Circuit bent gear

If you want to “MIDify” parameters of these circuits the most obvious thing to do is to replace a pot (variable resistor/knob) or a straight resistor with a voltage controlled resistor.

There are some hidden advantages here. When making a VCR you can control it with other CV generators as well, such as LFOs, envelopes, sensors, analog sequencers etc. It's also easy so make a small DC mixer for the control voltage so you can have a normal pot that “offsets” the the control voltage, or to combine the control voltage from two sources.

The main goal is to get the required resistance range and the response curve right. I'm not aiming to get perfect responses like 1V/Oct for the CV inputs. With most parameters apart from pitch this is unnecessary anyway.

### Option 1: The Vactrol

The vactrol is in essence a LDR (light dependant resistor) / LED combination in a light proof container. A control voltage can drive the LED, change its brightness and the intensity of light will vary the resistance of the LDR. would this work with PWM of the LED? DrBunsen

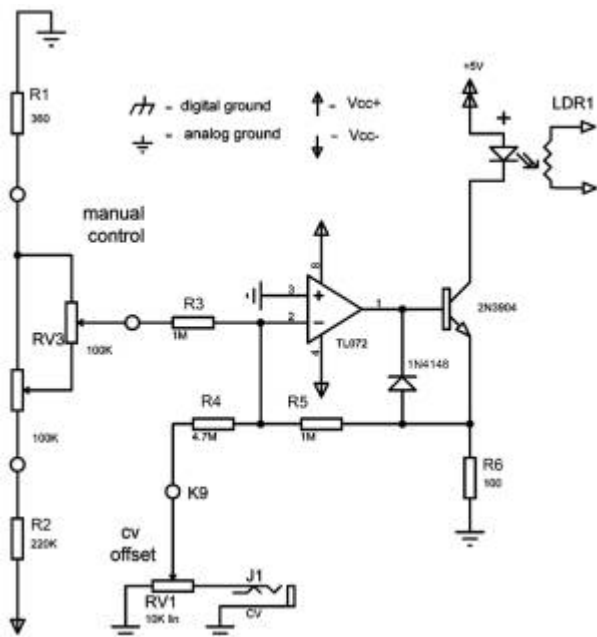
Circuitry on both sides can be used to scale voltages/resistance/response to a useable range. The relatively long response time this suggests maybe PWM would work! doesn't have to be a bad thing for most applications: for instance, when you are sweeping an FX parameter .

[Bridechamber](#) - a seller of synth modules and kits, intend to offer soon a 1"x2" vactrol based VCR as a kit or prebuilt. The size makes it suitable to directly replace a pot or resistor in circuit. Find it under “PCBs” and email them for more details.

As a starting point for our own designs I (illogik) have taken part of a schematic for a voltage

controlled delay from Scott Bernardi - [og2 diy modular synth](#). It uses a vactrol to control the delay time.

If you want to build the delay, I've made a sketchy but working PCB design for it in Eagle \*.brd format, which I will post later this week. *any news? DrB*



*Click for full size*

About the schematic:

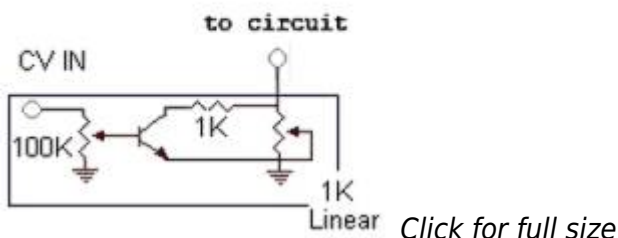
For now these are the resistor values that were in the original design. You should always use a yellow LED; LDR's work best with this colour.

This design uses an op-amp which requires a bipolar supply voltage like +/-12V. You may have this already for your MIDI to CV converter. RV1 and RV3 are trimpots, although RV1 can be a front-panel pot too for setting the amount of CV input.

### Option 2: the FET

This circuit (thanks jaicen) is from [resonant frequency](#) - a nice DIY synth/gear mod site. It's one of the mods on a Boss DR-110 to make a parameter voltage controlled.

Use 2N3904 Transistor or Equiv



*Click for full size*

About the schematic:

It's a really small VCR; transistor/resistor connected to 2 pots. A 100k log pot is OK for the CV-offset

pot. The manual control pot is linear but has a different value depending on the resistor that needs to be replaced. Experiment to find which value sounds best.

A limitation of this VCR is that one terminal is ground, so the original resistor you want to replace has to have been connected to ground as well.

Some words from Dave Magnuson from Resonant Frequency:

*Feel free to use the transistor approach on your site... BUT... I don't deserve the credit. This scheme was taken directly from Geoff Waterson's TR-606 modifications and adapted to work on the DR-110.*

*Also note: This option is not the best, just a simple one. The linearity of the response is pretty bad, and the range of CV is not ideal.... but it's cheap and has a very low parts count.*

*Vactrols work great, although they are slow to turn "off". I'm using these for some controls in a drum machine that I'm building... I'm using the slow turn off time to create the typical pitch sweep you get with an analog drum. If I pulse the vactrol with a quick trigger (a few milliseconds) the vactrol's natural decay works well.*

*There is also a FET the H11F3 in 8 pin DIP package that works well for CV control.... I just bought a few, but haven't experimented with them yet. There are examples in the datasheet or in the AppNote for the part.*

From the H11F3 (PHOTO FET OPTOCOUPLER) datasheet:

*H11F3 as a remote variable resistor*

- $\leq 100 \Omega$  to  $\geq 300 M\Omega$
- $\geq 99.9\%$  linearity

### **Option 3; the OTA**

The OTA (operational transconductance amplifier) is an IC which is used in many VCA designs. You can use the LM13700, a dual OTA

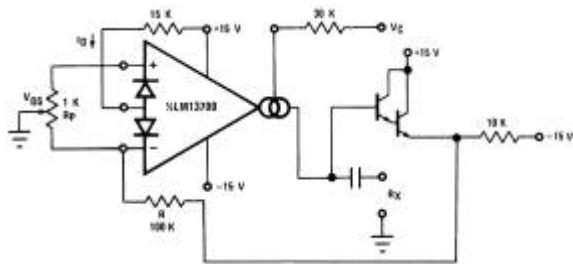
This text and the designs are straight out of the LM13700 datasheet.

*An OTA may be used to implement a Voltage Controlled Resistor. A signal voltage applied at RX generates a  $V_{IN}$  to the LM13700 which is then multiplied by the  $g_m$  of the amplifier to produce an output current, thus*

$$R_x = R + R_a / (g_m * R_A)$$

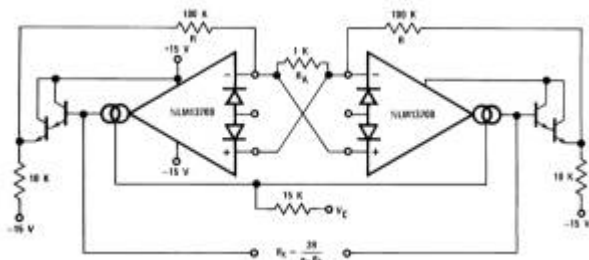
*where  $g_m \approx 19.2 \text{ IABC}$  at  $25^\circ\text{C}$ . Note that the attenuation of  $V_O$  by  $R$  and  $R_A$  is necessary to maintain  $V_{IN}$  within the linear range of the LM13700 input.*

VCR with one end that must be attached to ground (uses half the IC)



[Click for full size](#)

“Floating” VCR: both sides of VCR are free



[Click for full size](#)

A floating VCR where each “end” of the “resistor” may be at any voltage within the output voltage range of the LM13700.

\_About the schematic:\_

Hmm, I (illogik) can't say I really understand all this, but maybe that's not necessary; I will build the circuits and do some experimenting. Vc is the CV input; there can be some opamp mixers before this point to do the scaling.

## Digital: Digipots

[Digital Potentiometers: Description](#) - from Analogue Devices.

A **digital potentiometer** adjusts and trims electronic circuits similar to variable resistors, rheostats and mechanical potentiometers. Sometimes called **digital POT, RDAC, or digipot**, these devices can be used to calibrate or dynamically control system parameters.

This method means desoldering and replacing existing pots or resistors with digitally controlled variants, or switching between digitally controlled and physically controlled resistors. Switches could be CMOS controlled switches, controlled by pulses from the DOUT module.

It seems a fairly easy solution at first and digipots are not quite as expensive as motorfaders, but as we know, the digital signals can make things a bit messy.

There are concerns about noise from the digital control bus leaking into the audio signal, but that might be worked around by heavy shielding and perhaps a separate ground plane. The separate ground could be tricky to implement though, and that implementation would vary greatly from one device to another, increasing support requirements.

One upside with this is that little additional hardware is required.

[Frequently Asked Questions: Digital Potentiometers](#) - from Analog Devices  
[Table Of Products](#) - AD again

## Maxim's range

Another possible method is to create a resistor ladder network controlled by a set of relay ICs. This method has been used in high-end audio, both DIY and commercial as a low-noise, high accuracy volume control. It is also known as an R2R attenuator.

Resistor ladders have as many resistors as you wish for bit accuracy. IE an 8 bit resolution requires 8 resistors, 16 bits - 16 resistors etc. The AOUT LC module uses a resistor ladder.

The largest resistor has half the value of the resistor you're substituting for, the next one half of that again, and so on. The sum of all the resistors is equal to the substituted one.

The resistors are arranged serially, with bypass (zero resistance) paths switched by the relays. Each bit of the digital value switches on or off one relay, and thus bypasses (or not) one resistor. Thus you can dial up any resistance, in steps equal to the value of the smallest resistor. The relay ICs could be controlled by a DOUT.

Where accuracy is important (ie pitch) this technique requires low tolerance or hand matched resistors, at least for the most significant bits. 5% variance would not be acceptable for the resistor making up half of your overall value.

An advantage of this method is substituting for resistors in-circuit where a digital resistor of matching value is not available, or where voltages and currents would be higher than they are rated for.

## Mechanical: Motorized pots

Motorpots attached to analog pots - This way uses motorised pots or rotary motorfaders (depending on what you want to call them) to move analog pots like a servo.

It is completely noiseless because the MB and FX circuits are electrically isolated and only coupled mechanically, but could be expensive, as motorpots aren't cheap, and it could also be harder to do mechanically. This way would mean that the price would vary depending on how many knobs you need but we would need the additional MF module for this.

It would also mean that if you were midifying existing gear, you could keep the existing controls in place, so the MIDIBox wouldn't have to be active to use the gear - this is of course assuming that there is room inside the case of your gear to add the motorpots.

This method would also introduce support issues with MBFX users coming here for mechanical support on how to link up their pots etc...

Also implementing switches/buttons with this method would probably involve either analog or digital solutions which might defeat the bonus of total electrical isolation, unless using a servo to flick the switch...

*Yeah! MIDIBox robotic synth players!*

## Midifying Switches/Signal routing

[Simple method with transistors](#) from analogindustries blog

[Simple method with CMOS switch](#) from René Schmitz's synthdiy site

This IC from [Analog Devices](#) could make a nice MBPatchMatrix ;)

### **AD8113 - Audio/Video 60MHz 16 x 16 Crosspoint Switch**

*The AD8113 is a fully buffered crosspoint switch matrix that operates on  $\pm 12V$  for Audio applications and  $\pm 5V$  for Video applications. It offers a -3dB signal bandwidth greater than 60MHz and channel switch times of less than 60ns with 0.1% settling for use in both analog and digital audio. The AD8113 operated at 20kHz has crosstalk performance of -83dB and isolation of 90dB. In addition, ground/power pins surround all inputs and outputs to provide extra shielding for operation in the most demanding audio routing applications. The differential gain and differential phase of better than 0.1% and  $0.1^\circ$ , respectively, along with 0.1dB flatness out to 10MHz make the AD8113 suitable for many video applications. The AD8113 includes 16 independent output buffers that can be placed into a disabled state for paralleling crosspoint outputs so that off channel loading is minimized. The AD8113 has a gain of +2. It operates on voltage supplies of  $\pm 5V$  or  $\pm 12V$  while consuming only 34mA or 31mA of current, respectively. The channel switching is performed via a serial digital control (which can accommodate daisy-chaining of several devices) or via a parallel control, allowing updating of an individual output without reprogramming the entire array.*

it's quite expensive but if this works it will open up a lot of possibilities

**ANYONE WITH SUGGESTIONS, IDEAS, QUESTIONS OR WHATEVER CONCERNING THE CREATION OF DIGITAL CONTROLLED ANALOG HYBRID MONSTER MACHINES: CONTACT/PM ME(ILLOGIK ON MIDIBOXFORUM)! I LOVE TALKING ABOUT THIS STUFF, AND WHO KNOWS WHAT OUR FORCES COMBINED COULD DO!**

From:

<https://wiki.midibox.org/> - **MIDIbox**

Permanent link:

[https://wiki.midibox.org/doku.php?id=midiboxfx\\_-\\_midifying\\_analog\\_gear&rev=1191198047](https://wiki.midibox.org/doku.php?id=midiboxfx_-_midifying_analog_gear&rev=1191198047)

Last update: **2007/10/05 23:01**

