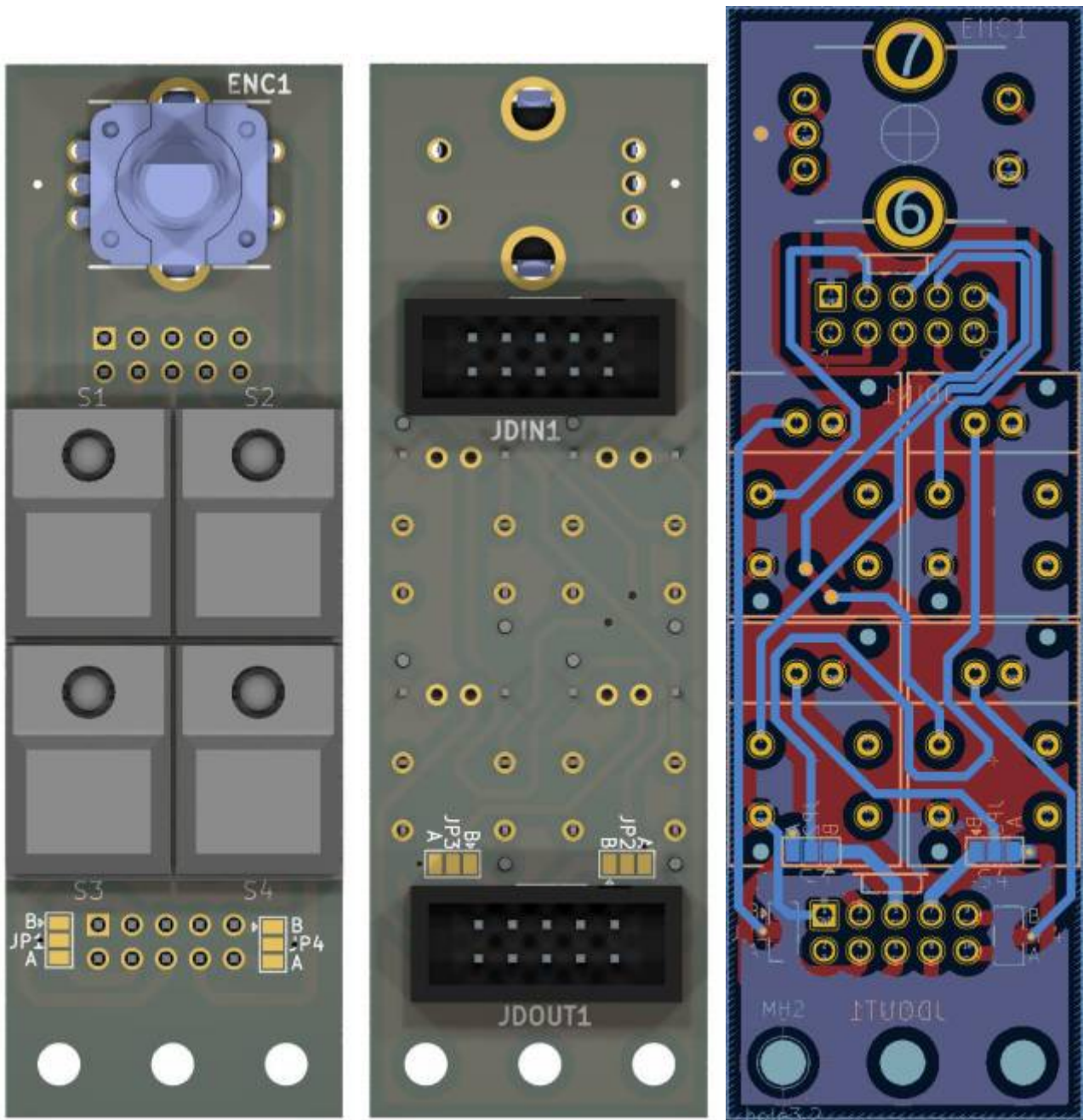
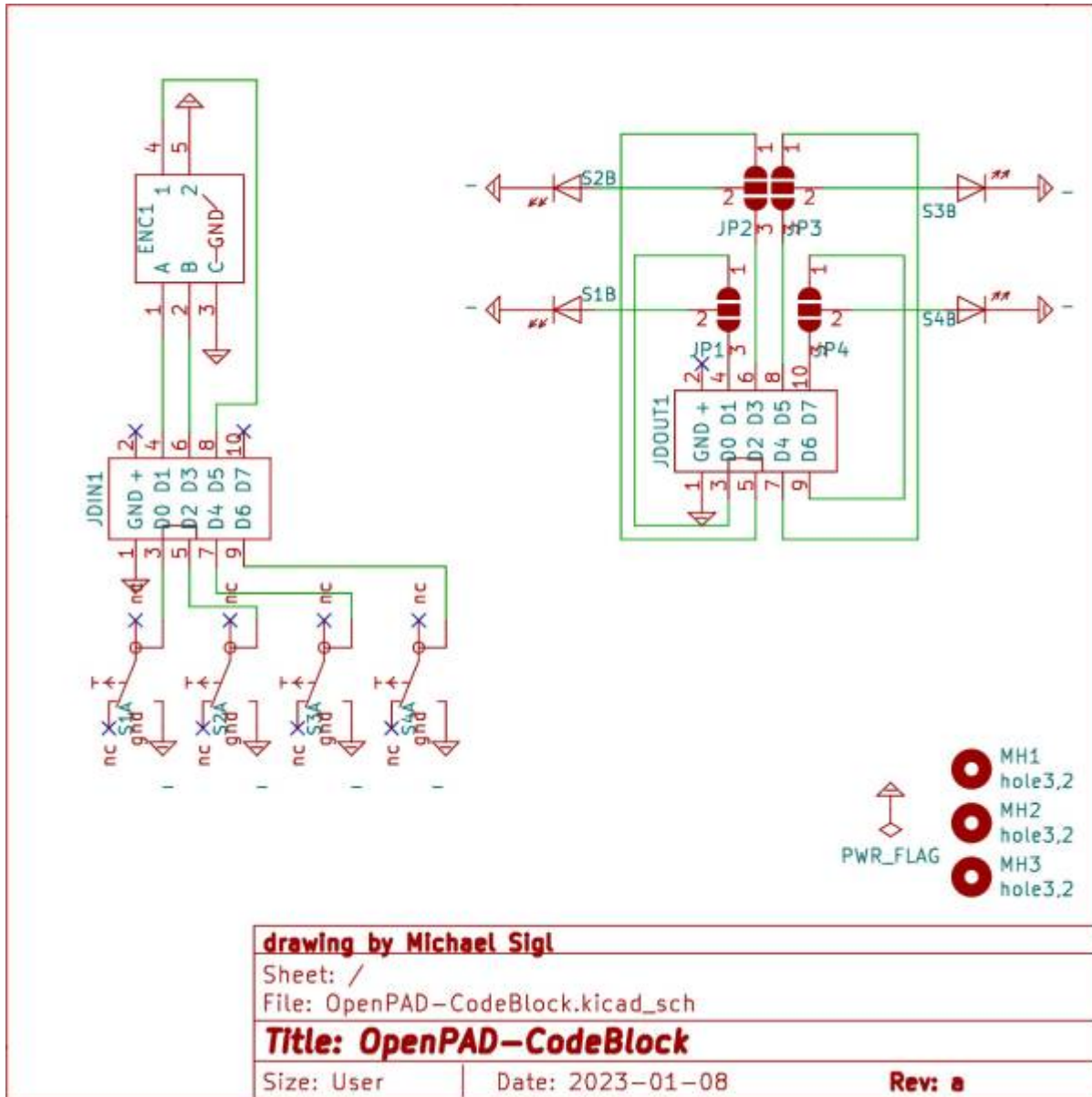


OpenPAD Codeblock



this is one essential part for my [OpenPAD](#)
it handles the Menu and the Buttons...

Schematic



Building and BOM

THT, and handsolder
This PCB is needet 2x for [OpenPAD](#)

Order-List

copy following list into this [mouser.com-Link](#)

652-PEC11R-4015F-S24|1

Order from Reichelt:

4x [Button](#)

2x [PinHeader 2x5Pin Female](#)

Order from Midiphy:

1x Knob Set [DK16-190V3 knob](#)

To Do

waiting for the Prototype

Community users working on it

- [Phatline](#) = PCB & Schematic, UI-Programming, Documentation...

Just let a Private message on the forum to user already involved.
or join the forum: [Triggermatrix 5](#)

From:

<https://wiki.midibox.org/> - **MIDIbox**

Permanent link:

<https://wiki.midibox.org/doku.php?id=openpad-codeblock&rev=1673223704>

Last update: **2023/01/09 00:21**

