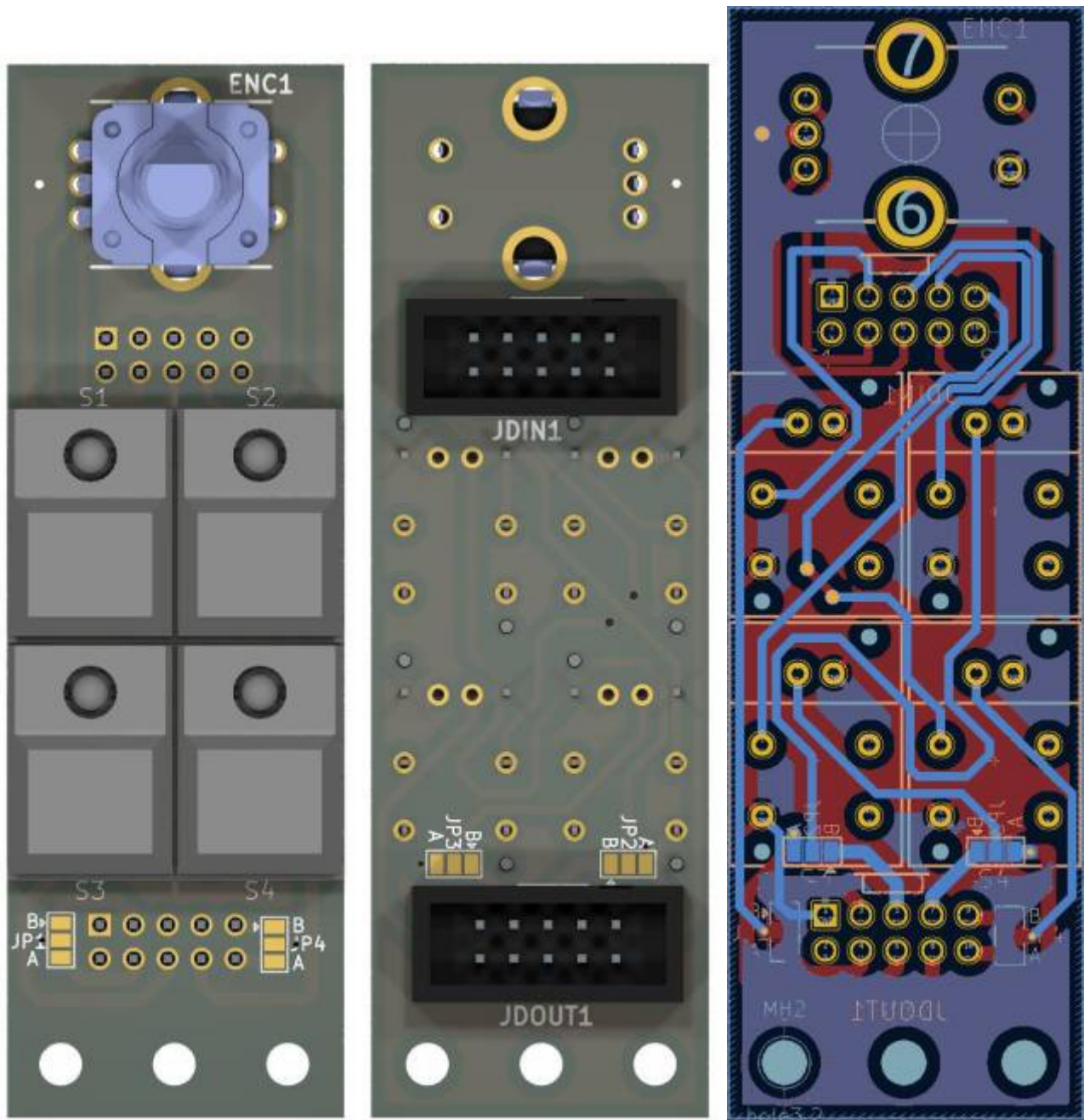
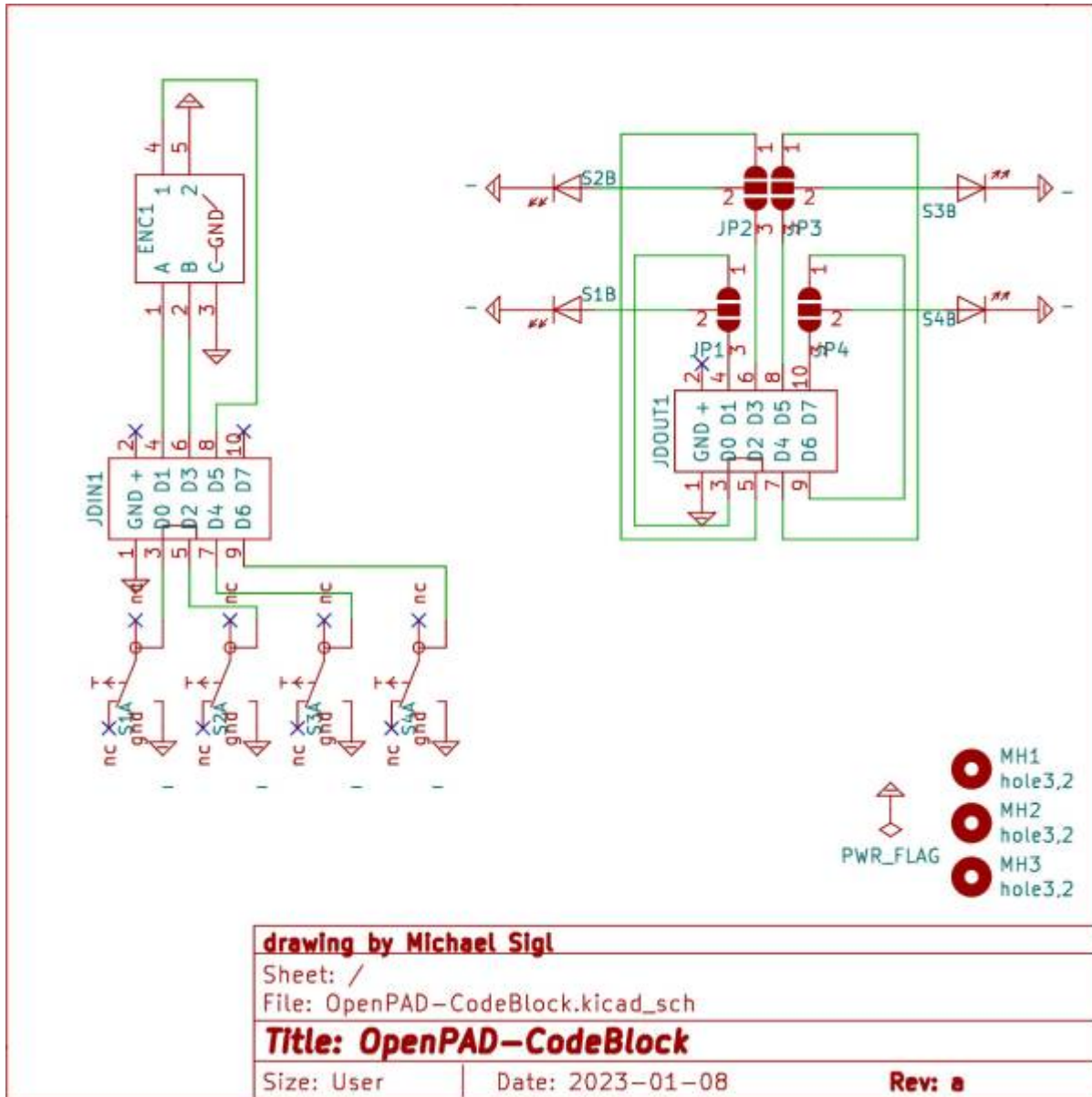


# OpenPAD Codeblock



this is one essential part for my [OpenPAD](#)  
it handles the Menu and the Buttons...

## Schematic



## Building and BOM

THT, and handsolder

This PCB is needet 2x for [OpenPAD](#)

## Production Files

Free4Real

[openpad-codeblock-gerber.zip](#)

## Order-List

copy following list into this [mouser.com-Link](#)

```
652-PEC11R-4015F-S24|1
710-151031SS06000|4
```

### Order from Reichelt:

4x [Button](#)

2x [PinHeader 2x5Pin Female](#)

### Order from Midiphy:

1x Knob Set [DK16-190V3 knob](#)

## To Do

waiting for the Prototype

## Community users working on it

- [Phatline](#) = PCB & Schematic, UI-Programming, Documentation...

Just let a Private message on the forum to user already involved.

or join the forum: [OpenPAD](#)

From:

<https://wiki.midibox.org/> - **MIDIbox**

Permanent link:

<https://wiki.midibox.org/doku.php?id=openpad-codeblock&rev=1673227199>

Last update: **2023/01/09 01:19**

