

**BLM SCALAR FIX** -Based on findbhudda's original design:  
<http://www.midibox.org/dokuwiki/doku.php?id=findbuddha>

DESIGN SOFTWARE USED:

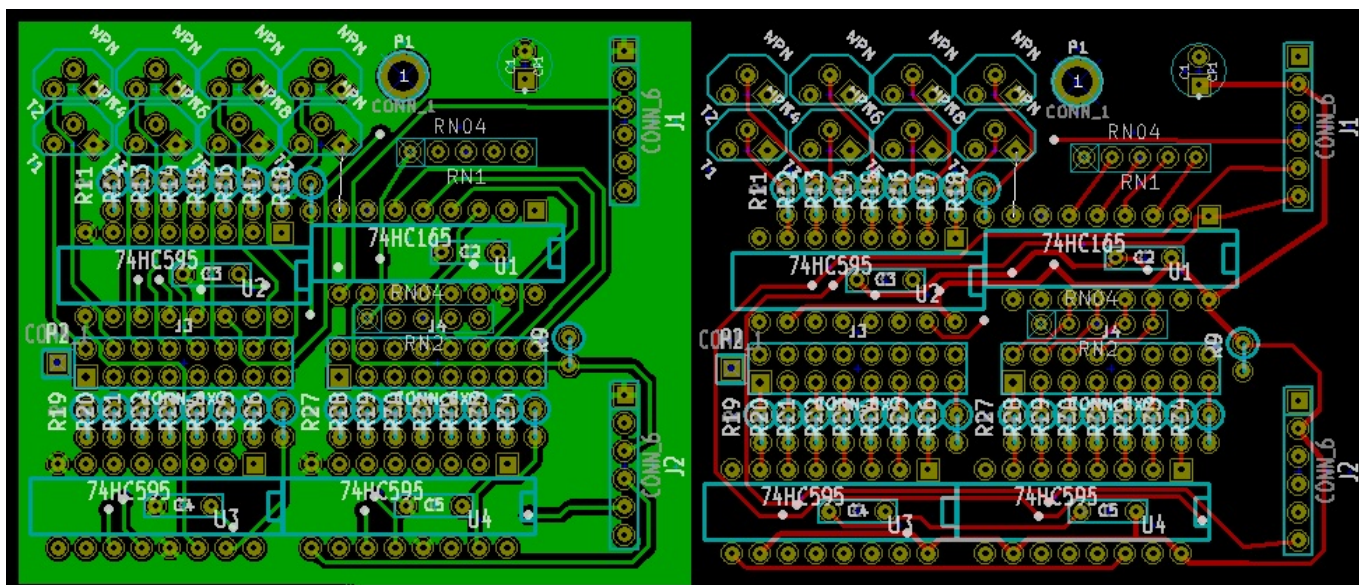
KiCAD for PCB/Schematics: [http://kicad.sourceforge.net/wiki/Main\\_Page](http://kicad.sourceforge.net/wiki/Main_Page)

KNOWN ISSUES / BUILD SUGGESTIONS:

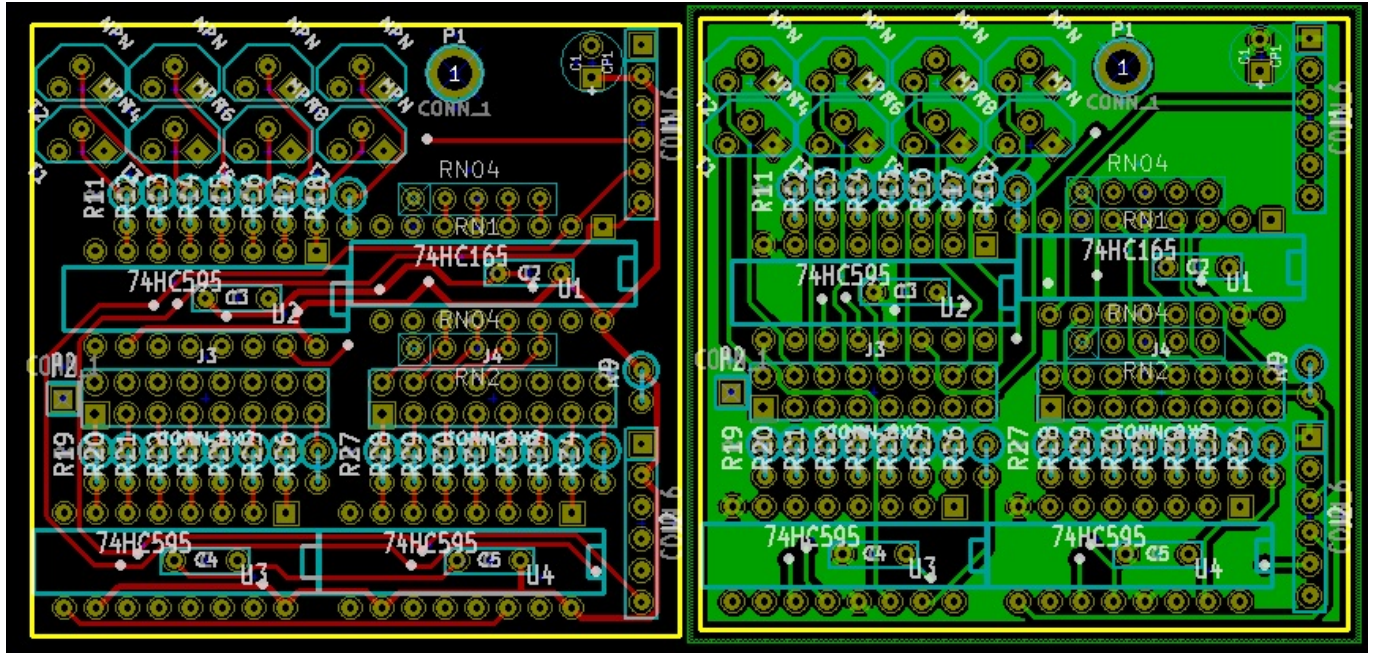
- blm-scalar.\* contain an error. Pins I4-I7 are mirrored. This is easily fixed with a connector modification, and the blm-scalar module seems to work as intended.
- blm-scalar v1.1 attempts to fix this error. Moved connectors J1, J2, Resistor Net 1 and R9 to make room for corrections.

DESIGN FILES:

Corrected blm-scalar v1.1.brd below & attached: [blm-scalar\\_v1.1.zip](#)



Original findbhudda board below:



From:  
<https://wiki.midibox.org/> - **MIDIbox**

Permanent link:  
<https://wiki.midibox.org/doku.php?id=peterpressure&rev=1323662794>

Last update: **2011/12/12 04:06**

