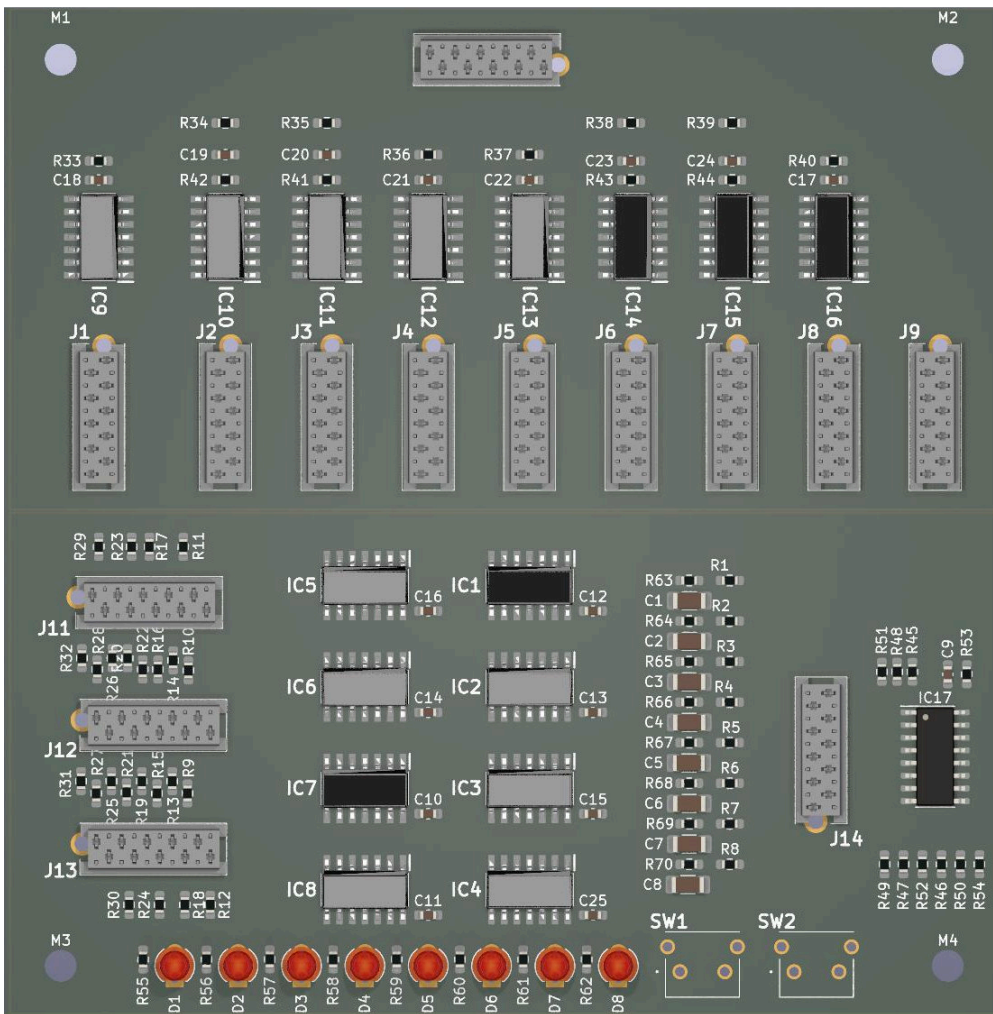


# SRIO-ROUTER



- \* **Route 1 Userinterface to 8 Cores**
- \* **So you save space in your Eurorack**
- \* **So you save money**
- \* **Route SRIO (J89 aka DIN and DOUT)**
- \* **ROUTE 8x OLED Screens (with a extra expansion PCB...)**
- \* **No Support for AIN**

ready for Pick and Place

-all Parts are presoldered except:

- 2x Switches
- 8x LEDs
- Micromatch Headers

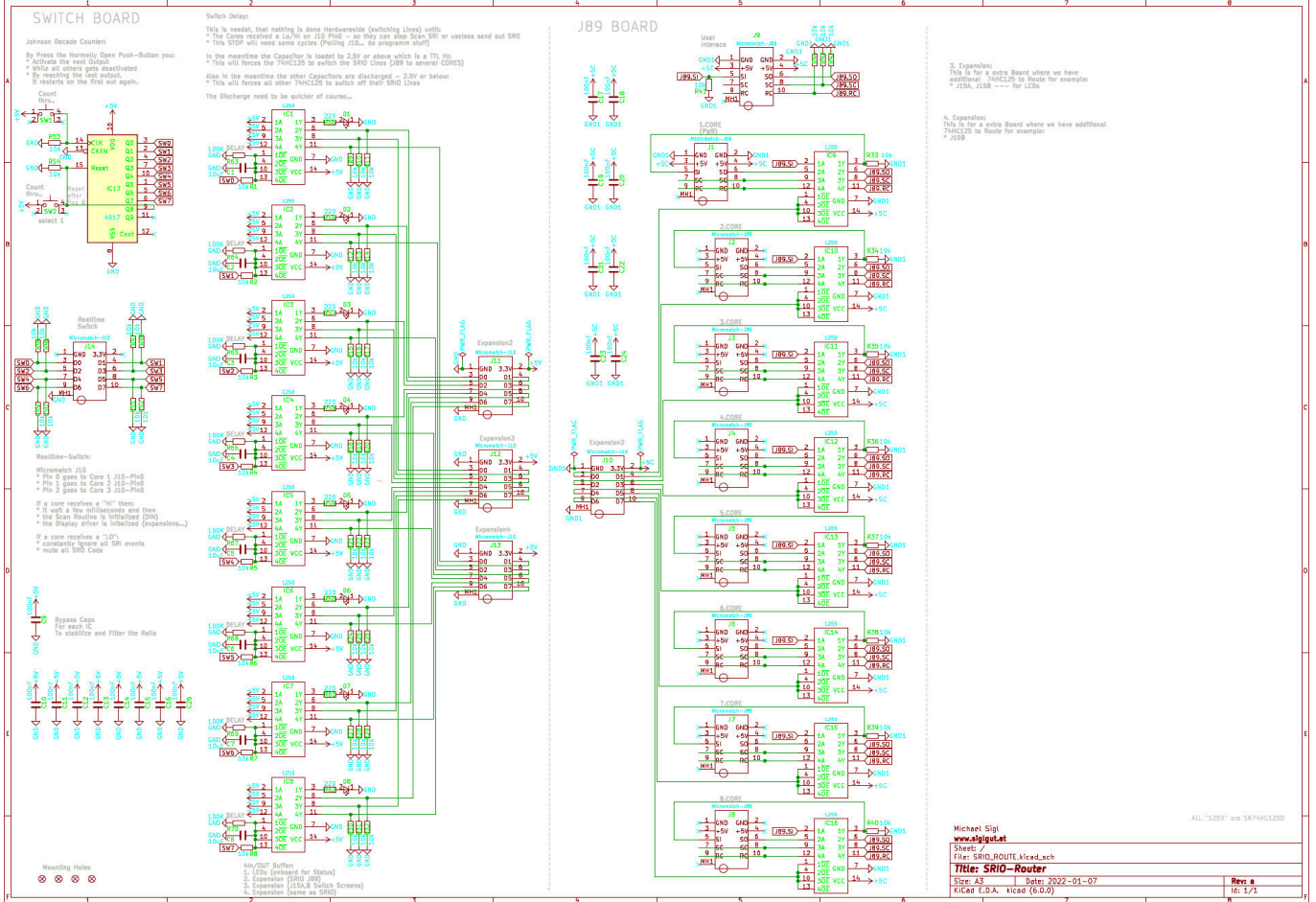
## Hardware Requirements

- up to 8 STM32F4 compatible MIO32 Cores (J89, J15AB)
- Soldering Iron - with a Dip that can Handle Thruhole-Parts, solder Paste...

- dont forget the Micromatch connectors, and Ribbon cables

# Schematic

srio-router-schematic.pdf



# Building

The Design is optimized for Pick and Place > all SMD Parts are on the Top-PCB  
 The Rest is Thruhole > easy handsolder

now waiting for Presoldered PCBs

# BOM

these are the parts which must be handsoldered

**14-24x Micromatch Header 2x5p:**

Mouser: [571-12150790](#)

Reichelt: [MPE 369-1-010](#)

LCSC: [C590954](#)

**14-24 Micromatch Plug 2x5p or even more...:**Mouser: [571-1-2178712-0](#)Reichelt: [MPE 372-1-010](#)**2x Tact Switch:**Mouser: [113-DTSA-65N-V](#)Reichelt: [TASTER 3305B](#)**8x 3mm LED Thruhole ca 400mcd:** Mouser: [859-LTL1CHJETNN](#)Reichelt: [EVL 1224-10SURC](#)**Flat-band-Cable - 30m !!! x 40pins...last forever:**Mouser: [617-09180407001](#)**BOM LCSC**

these are the parts which are presoldered by the Pick and Place Machine  
ATTENTION THIS IS A PLACEHOLDER!!!!!!!!!!!!

Comment	Designator	Footprint	LCSC Part Number
47uF	C1,C2	1206	C96123
100nF	C3,C4,C7,C8	0805	C49678
10uF	C5,C6	1206	C13585
LED-Yellow	Da1,Db1,Dc1,De1,De1-Da19,Db19,Dc19,Dd19,De19	0603	C72038
180	R1-R5	0603	C22828
1K	R6,R7	1206	C4410
10k	R8-R25	0603	C25804
74HC595	U1-U3	SOIC-16	C5947
74HC165	U4,U5	SOIC-16	C5613

**PART Locations****To Do****Community users working on it**

- **Phatline** = PCB & Schematic, UI-Programming, Documentation...

Just let a Private message on the forum to user already involved.

From:

<http://wiki.midibox.org/> - **MIDIbox**

Permanent link:

<http://wiki.midibox.org/doku.php?id=srio-router>

Last update: **2022/01/08 06:41**

