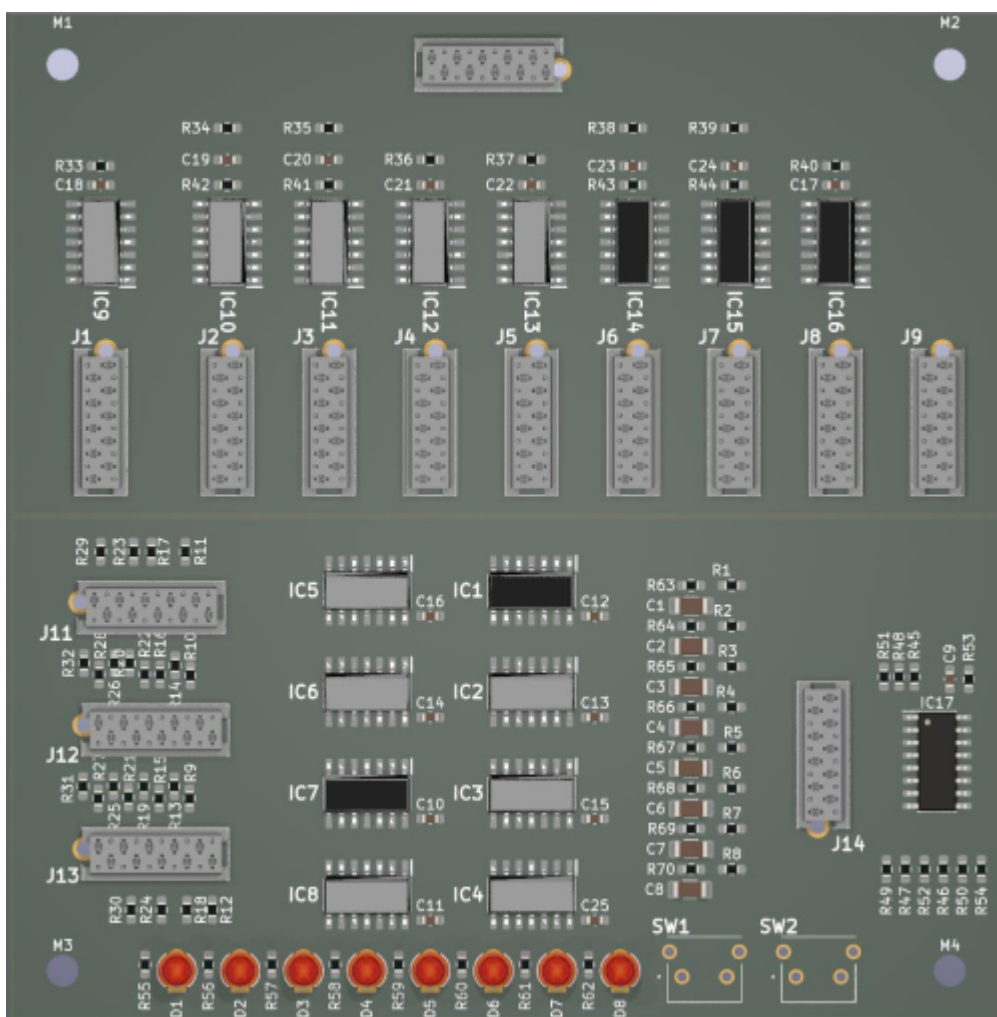


# SRIO-ROUTER



- \* 5 Encoders
  - \* 5 Ledrings
  - \* 5 ENC-Switchs
  - \* 5 3LEDS for ENC-Switches
  - \* 1 Shift-Switch
  - \* 2 1306 7Pin- OLED-LCDs
- controlled from a STM32F4 Microcontroller [dipcoref4,CV1](#)  
 build for CV1 as UI-Expansion-PCB.

ready for Pick and Place



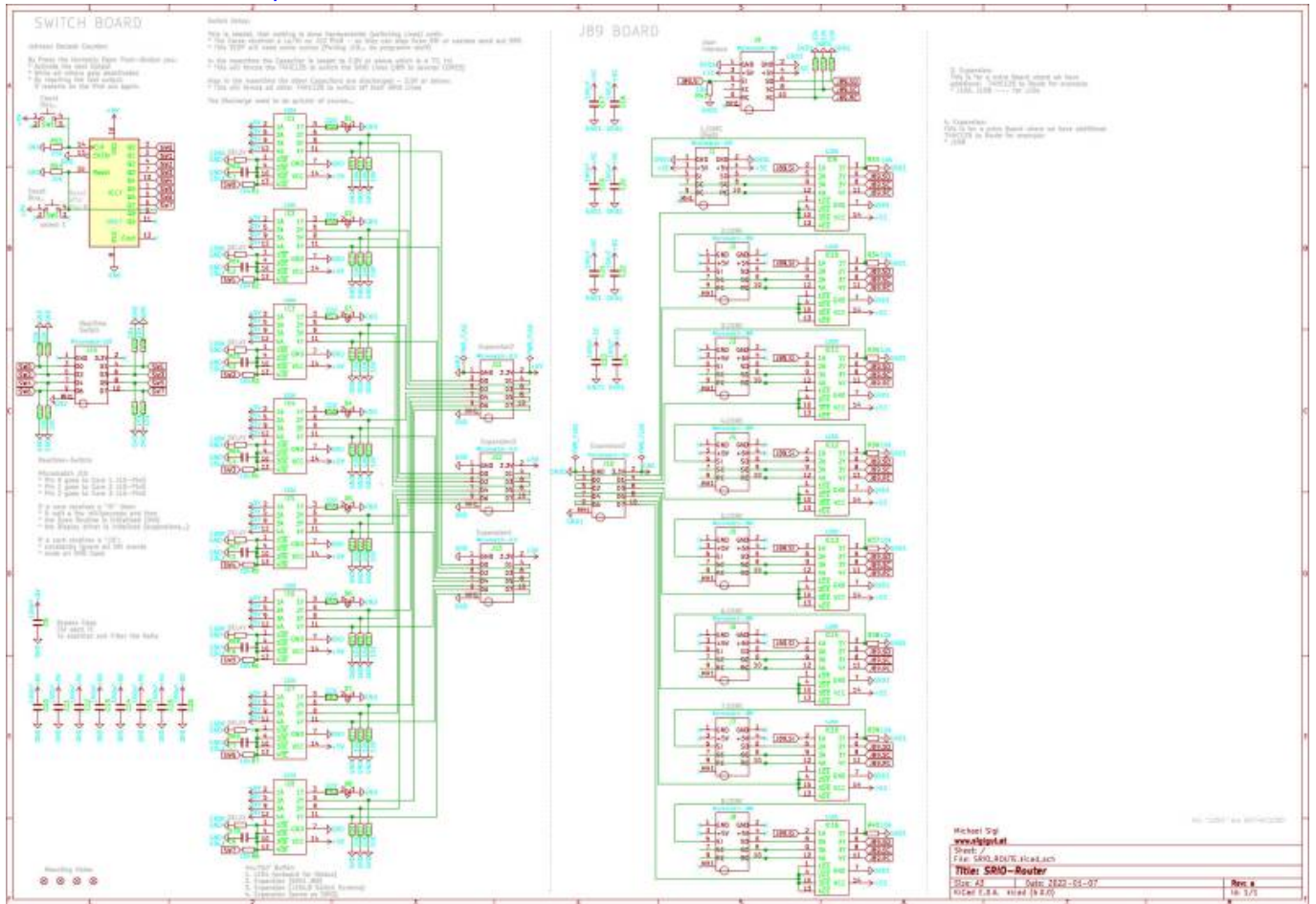
-all Parts except the ULN-Driver-ICs are on the Top-Side, and are presoldered..

## Hardware Requirements

- up to 8 [CV1](#) or other MIOS32 Cores
- Soldering Iron - with a Dip that can Handle Thruhole-Parts, solder Paste...
- dont forget the Micromatch connectors, and Ribbon cables

# Schematic

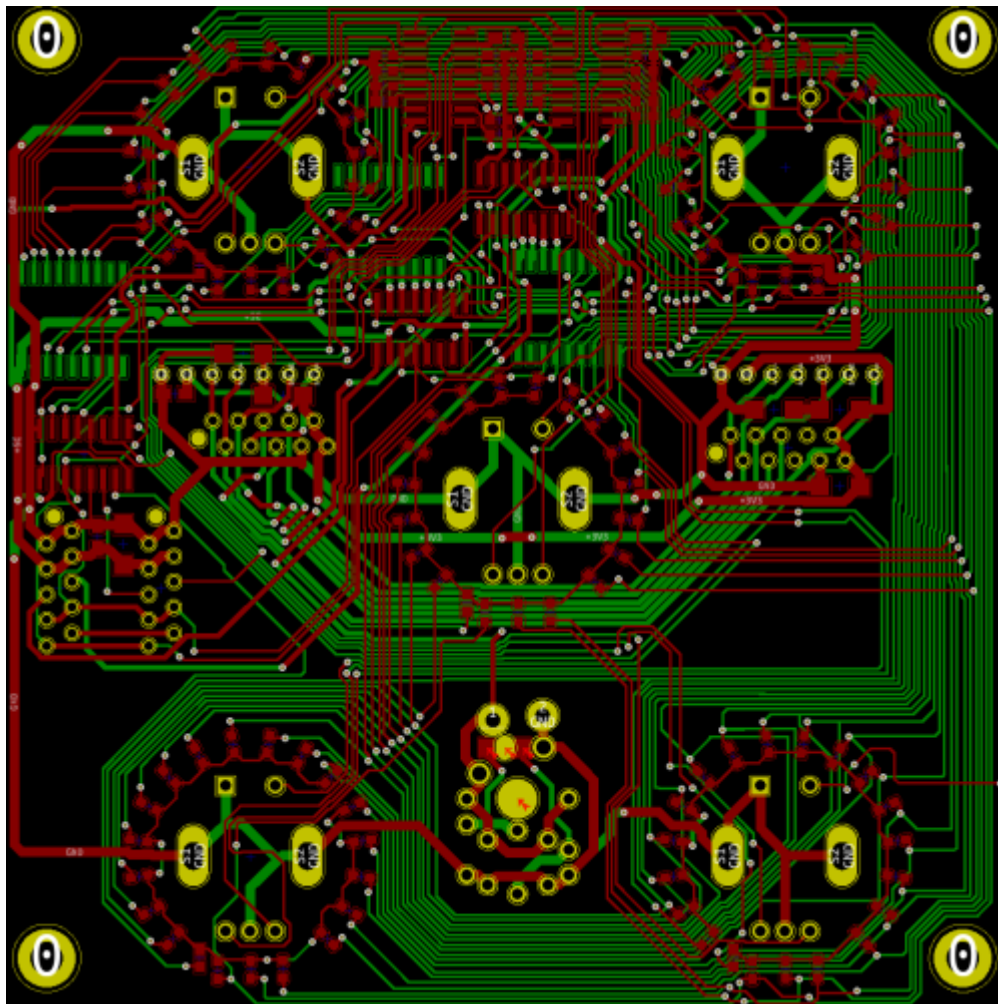
[srio-router-schematic.pdf](#)



# Building

The Design is optimized for Pick and Place > almost all SMD Parts are on the Top-PCB  
The Rest is Thruhole > easy, the ULN Driver are SMD and has to be handsolderd

now waiting for Presoldered PCBs



## BOM LCSC

these are the parts which must be handsoldered

Comment	Designator	Footprint	LCSC Part Number	Lot
ULN2003ADRW	Q1-Q3	SOIC-18_300mil	C9683	3
PEC11R-4015F-S24	ENC1-ENC5	tht	C143789	5
Micromatch-2x5	LCDi1,LCDo1,Ji89,Jo89	tht	C590954	4
Switch	S1	tht	C273513	1

**S1 can be stuffed with:** Matias, CherryMX, MEC-3FTH9, TL1265

## BOM AliExpress

[2xSSD1306-7Pin](#)

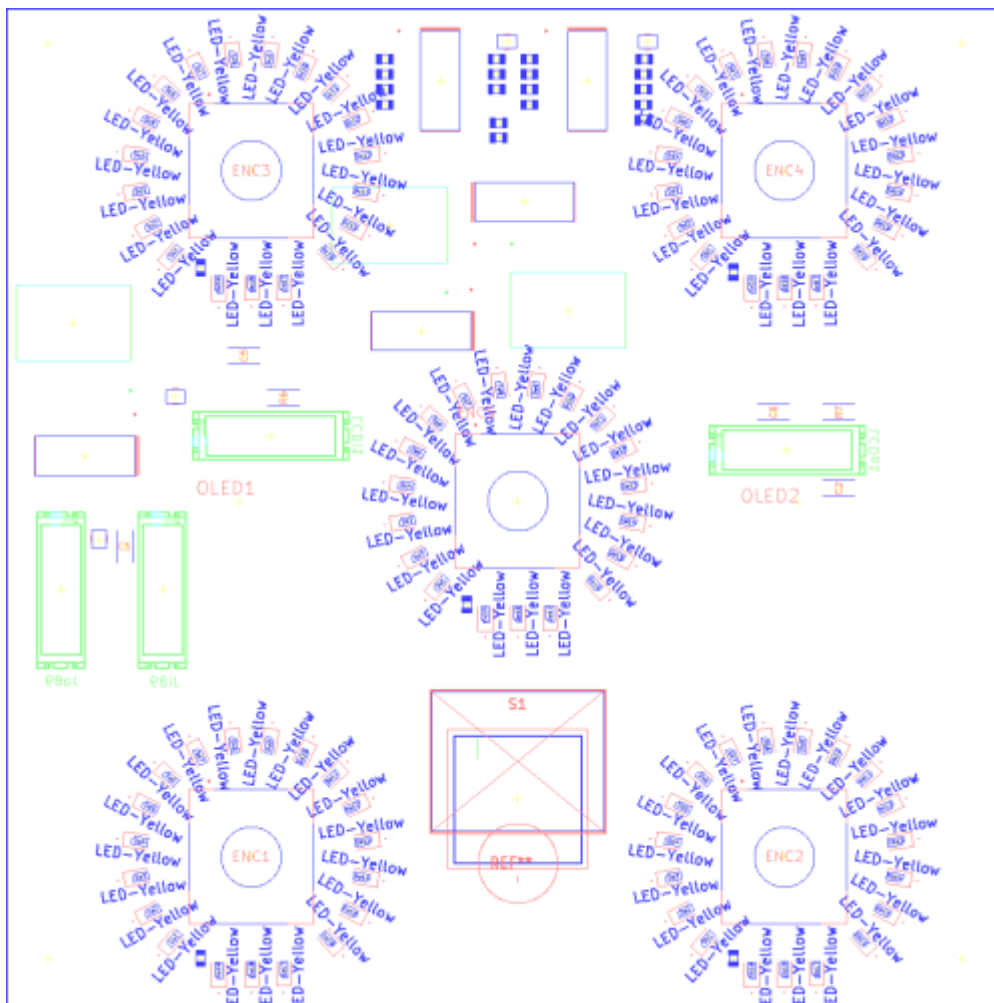
## BOM LCSC

these are the parts which are presoldered by the Pick and Place Machine

Comment	Designator	Footprint	LCSC Part Number
47uF	C1,C2	1206	C96123
100nF	C3,C4,C7,C8	0805	C49678
10uF	C5,C6	1206	C13585
LED-Yellow	Da1,Db1,Dc1,De1,De1-Da19,Db19,Dc19,Dd19,De19	0603	C72038
180	R1-R5	0603	C22828
1K	R6,R7	1206	C4410
10k	R8-R25	0603	C25804
74HC595	U1-U3	SOIC-16	C5947
74HC165	U4,U5	SOIC-16	C5613

+ Ribbon Cables for example (MOUSER):  
710-63911015521CAB|1

## PART Locations



# To Do

## Community users working on it

- **Phatline** = PCB & Schematic, UI-Programming, Documentation...

Just let a Private message on the forum to user already involved.

From:

<https://wiki.midibox.org/> - **MIDIbox**

Permanent link:

<https://wiki.midibox.org/doku.php?id=srio-router&rev=1641618223>

Last update: **2022/01/08 05:03**

