

# TM5 Codeblock



this is one essential part for my [triggermatrix5](#)

it handles the Menue and the Buttons...

# Schematic



# Building and BOM

100 THT, and handsolder  
This PCB is needet 1x for [triggermatrix5](#)

## BOM

| qty | reference                           | value                           | mouser               |
|-----|-------------------------------------|---------------------------------|----------------------|
| 3   | ENC                                 | PEC11R-4015F-S0024              | 652-PEC11R-4015F-S24 |
| 1   | ENC-R1                              | Pin-Head-1x4-Male               | 649-1012937890401BLF |
| 5   | JDIN1, JDIN2, JDIN3, JDOUT1, JDOUT2 | Pin-Header-Shroudet-2x5-THT-DIN | 517-30310-6002       |
| 10  | S1-S10                              | reichelt.de                     | DTL 2 SW Reichelt!   |

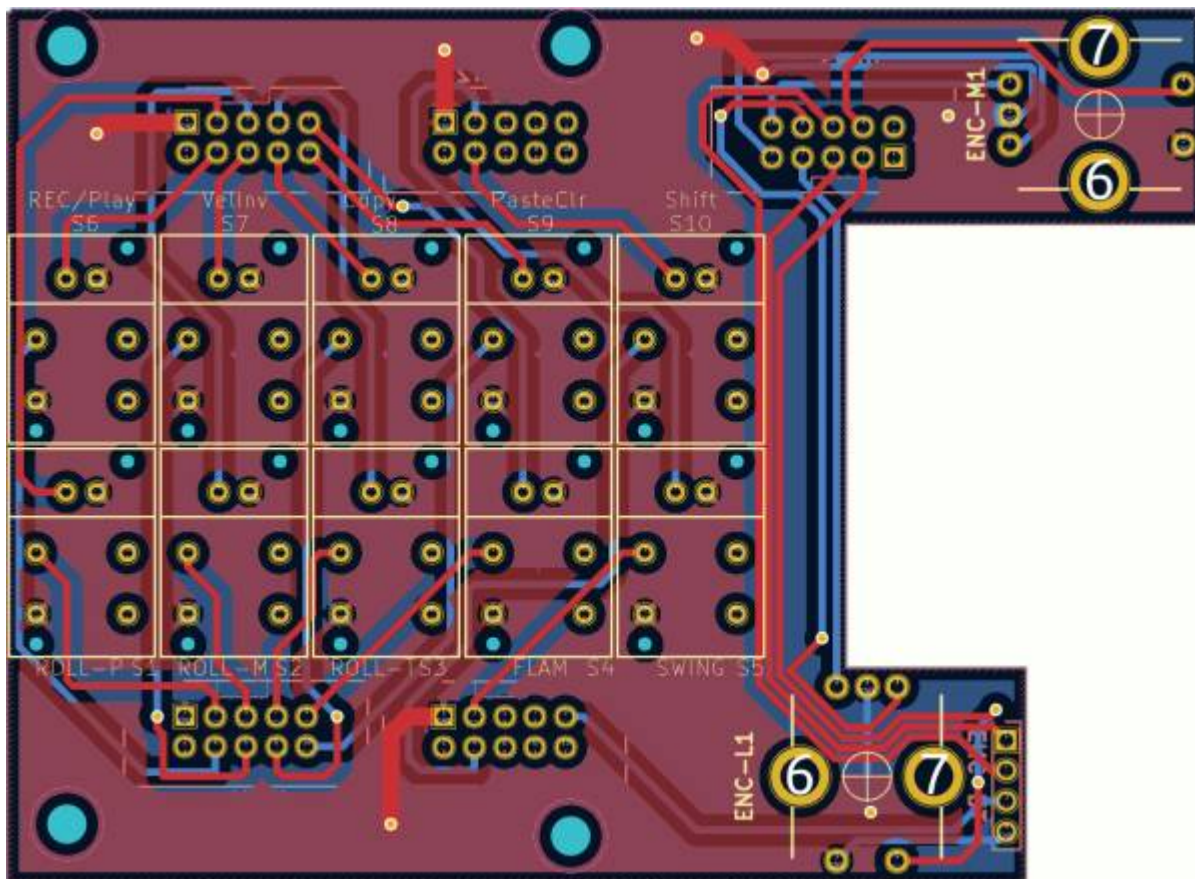
## Order-List

copy following list into this [mouser.com-Link](https://www.mouser.com)

652-PEC11R-4015F-S24|3  
649-1012937890401BLF|1  
517-30310-6002|5

**Order from Reichelt:**

10x [Button](#)



## To Do

waiting for the Prototype

## Community users working on it

- [Phatline](#) = PCB & Schematic, UI-Programming, Documentation...

Just let a Private message on the forum to user already involved.  
or join the forum: [Triggermatrix 5](#)

From:

<https://wiki.midibox.org/> - **MIDIbox**

Permanent link:

<https://wiki.midibox.org/doku.php?id=tm5-codeblock&rev=1672256776>

Last update: **2022/12/28 19:46**

