

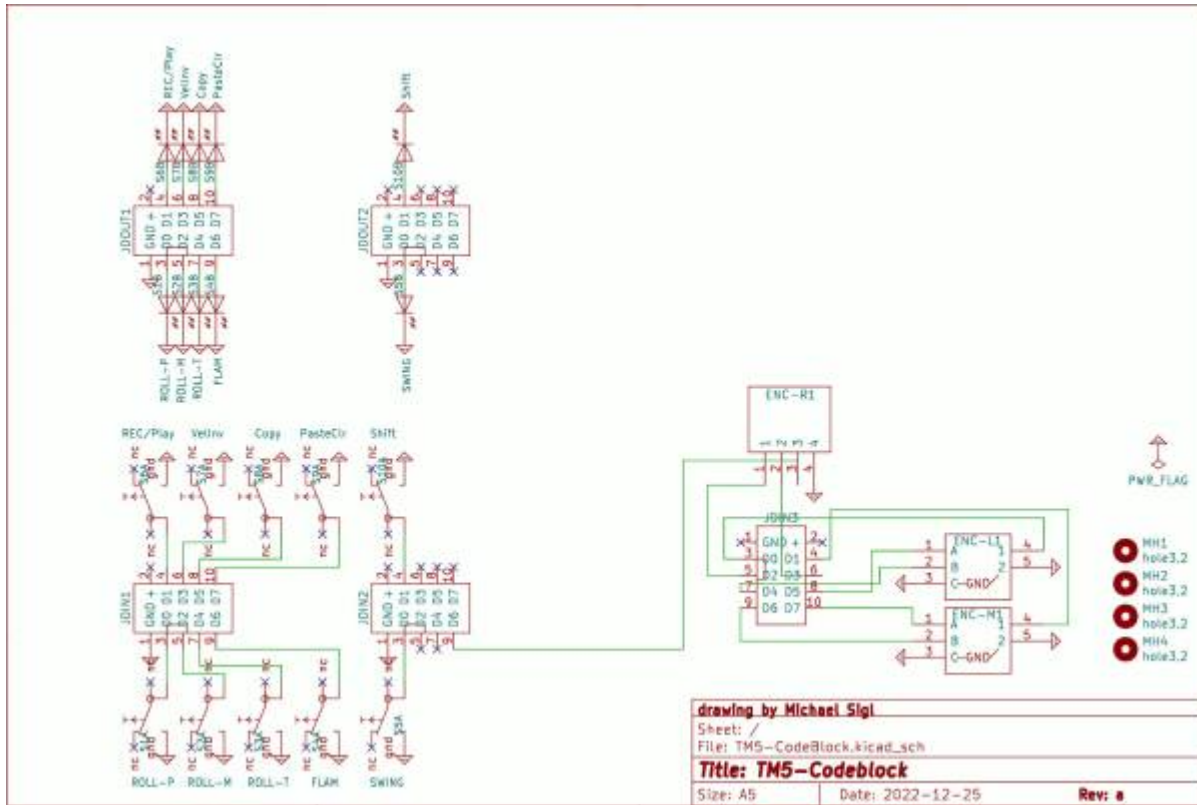
# TM5 Codeblock



this is one essential part for my [triggermatrix5](#)

it handles the Menu and the Buttons...

# Schematic



# Building and BOM

100 THT, and handsolder  
 This PCB is needet 1x for [triggermatrix5](#)

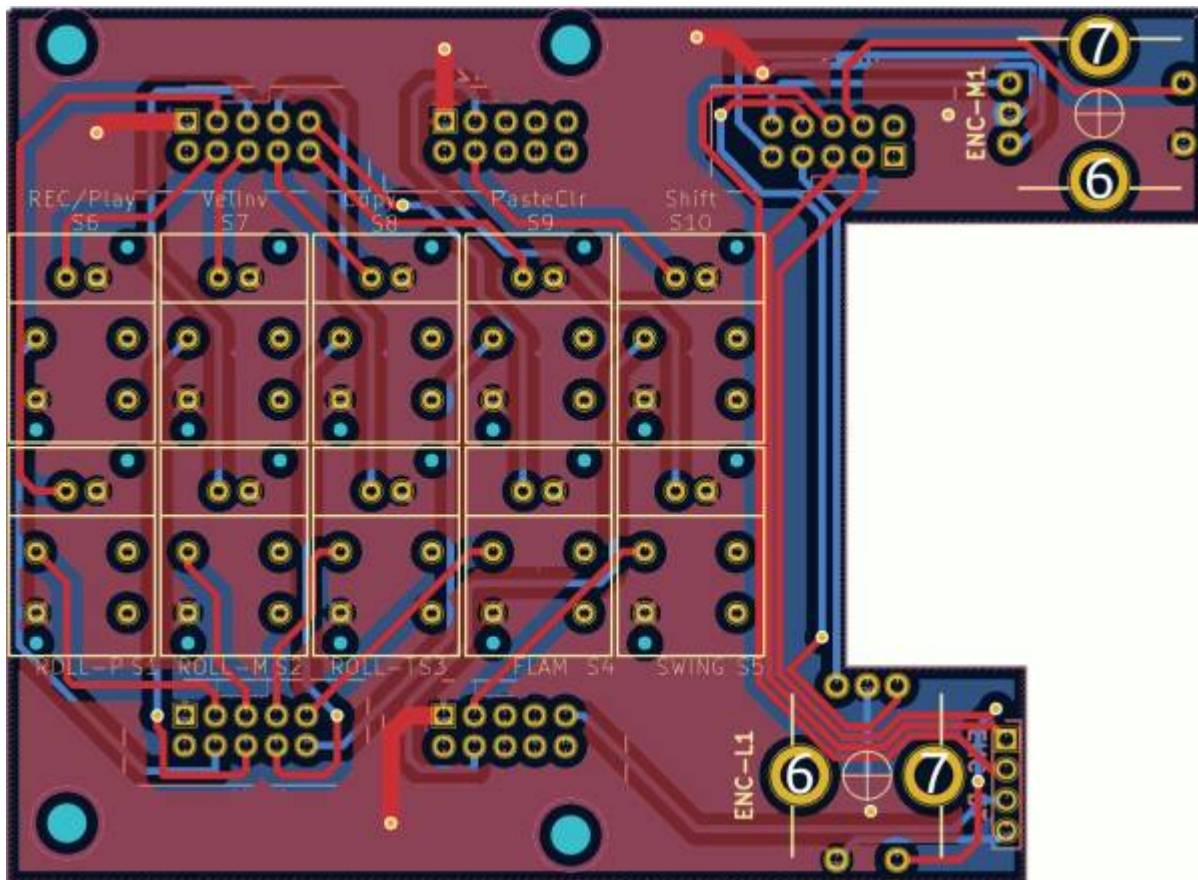
## BOM

qty	reference	value	mouser
3	ENC	PEC11R-4015F-S0024	652-PEC11R-4015F-S24
1	ENC-R1	Pin-Head-1x4-Male	649-1012937890401BLF
5	JDIN1, JDIN2, JDIN3, JDOUT1, JDOUT2	Pin-Header-Shroudet-2x5-THT-DIN	517-30310-6002

## Order-List

copy following list into this [mouser.com-Link](#)

```
652-PEC11R-4015F-S24|3
649-1012937890401BLF|1
517-30310-6002|5
517-89110-0101|10
```

**Order from Reichelt:**10x [Button](#)**Order from Midiphy:**1x Knob Set [DK16-190V3 knob](#)

## To Do

waiting for the Prototype

## Community users working on it

- [Phatline](#) = PCB & Schematic, UI-Programming, Documentation...

Just let a Private message on the forum to user already involved.

or join the forum: [Triggermatrix 5](#)

From:

<https://wiki.midibox.org/> - **MIDIbox**

Permanent link:

<https://wiki.midibox.org/doku.php?id=tm5-codeblock&rev=1672261342>

Last update: **2022/12/28 21:02**

