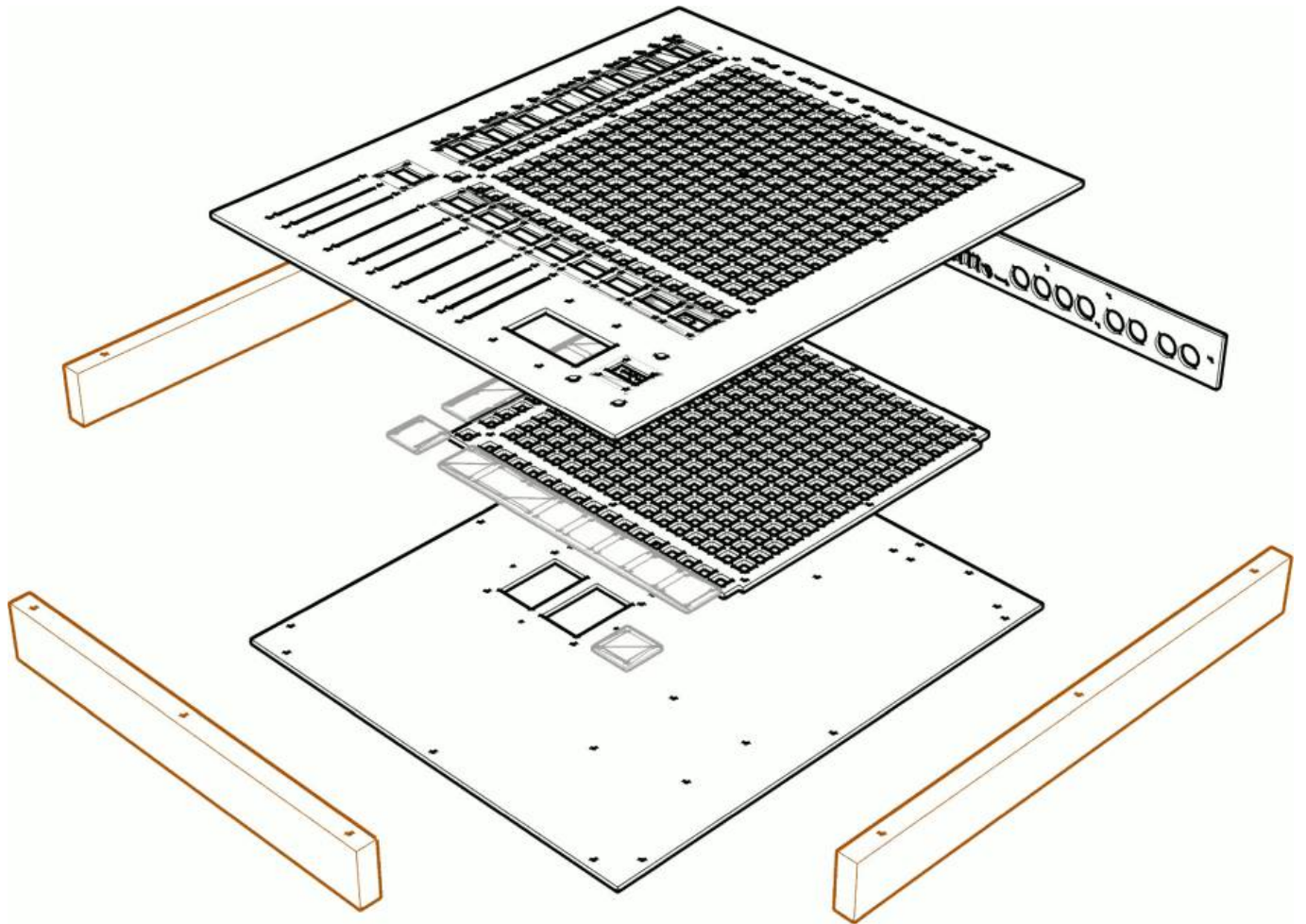


TM5 Housing

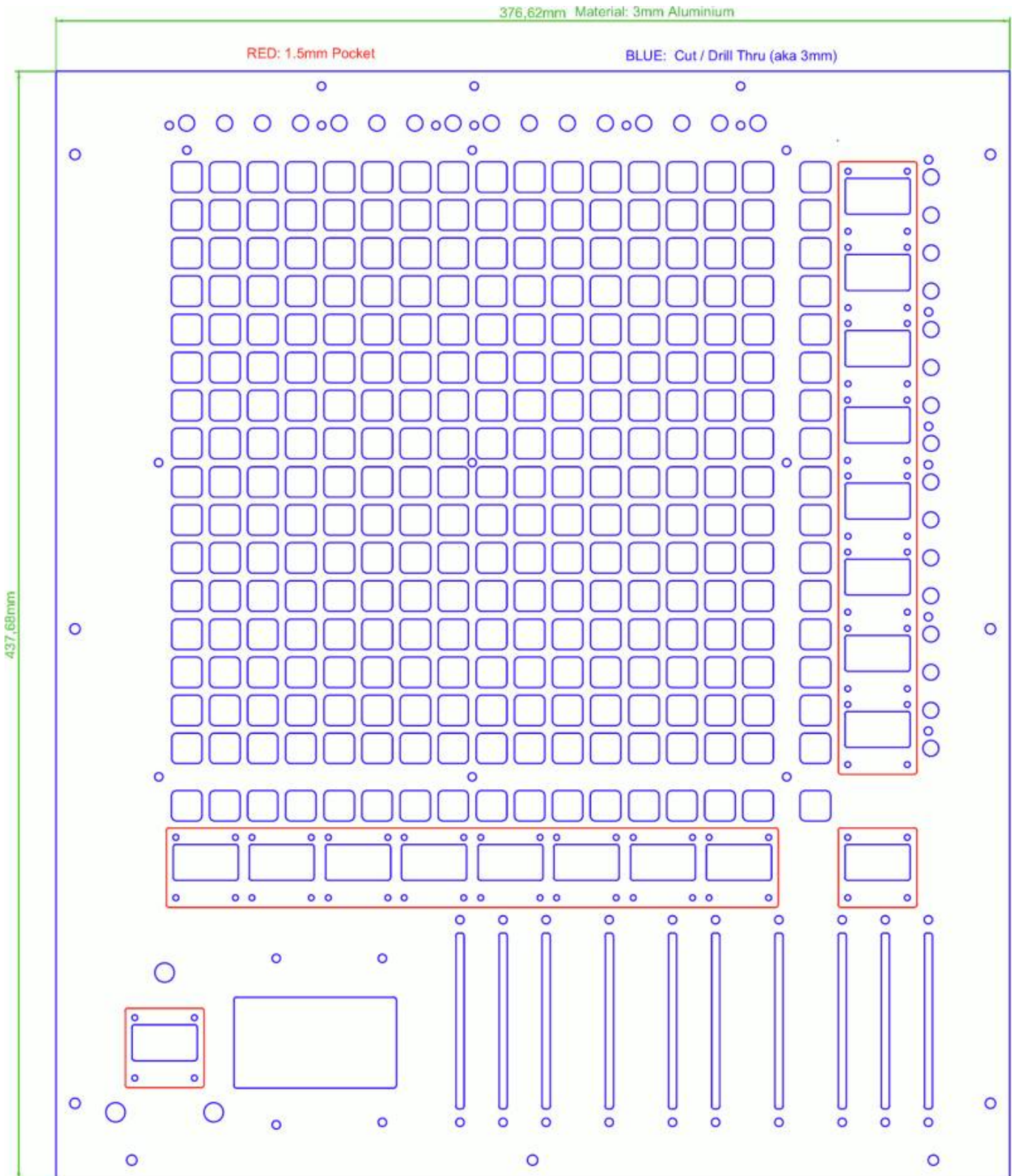


Panels



Frontpanel

[tm5-frontpanel.zip](#)



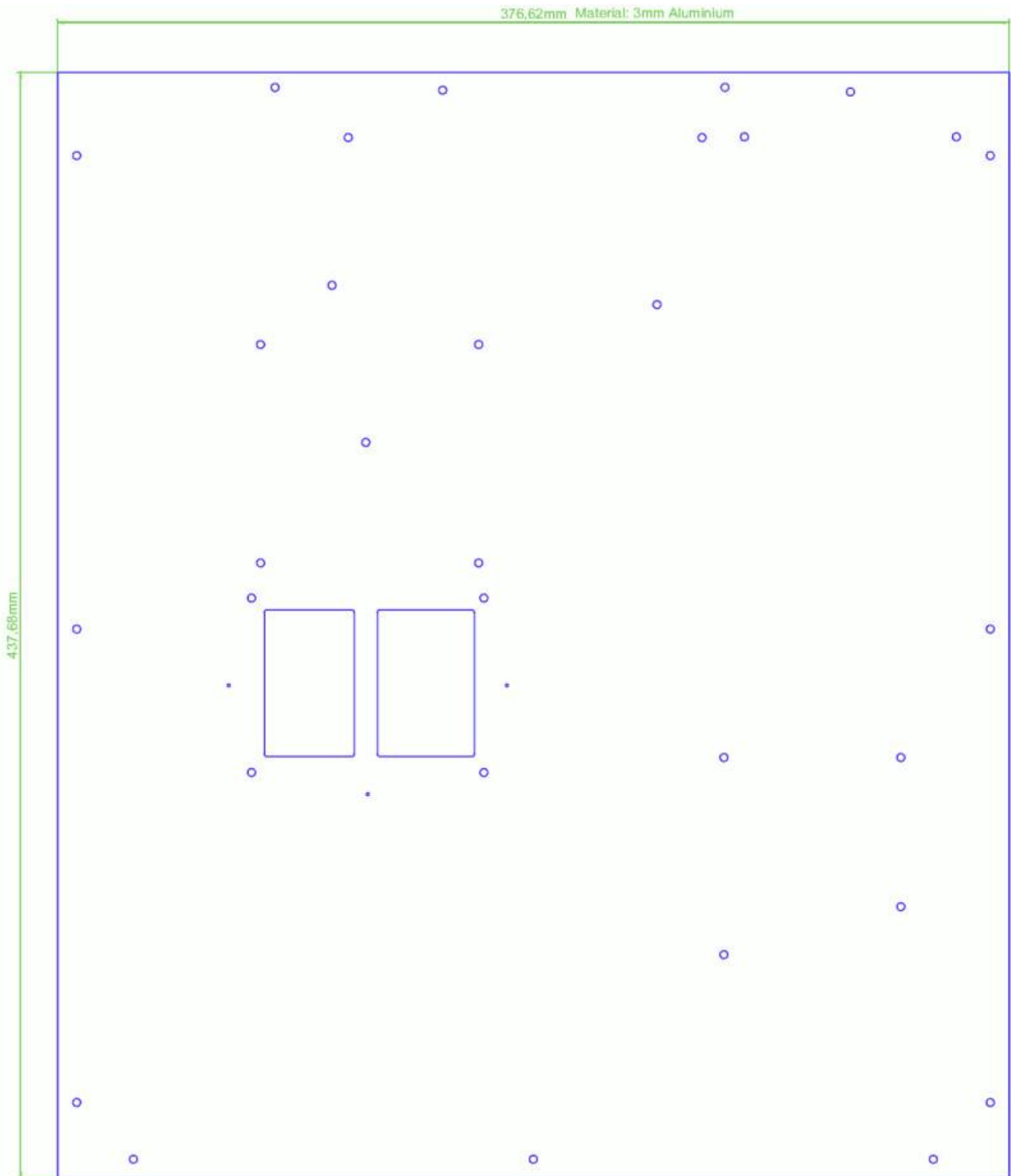
Backpanel

[tm5-backpanel.zip](#)



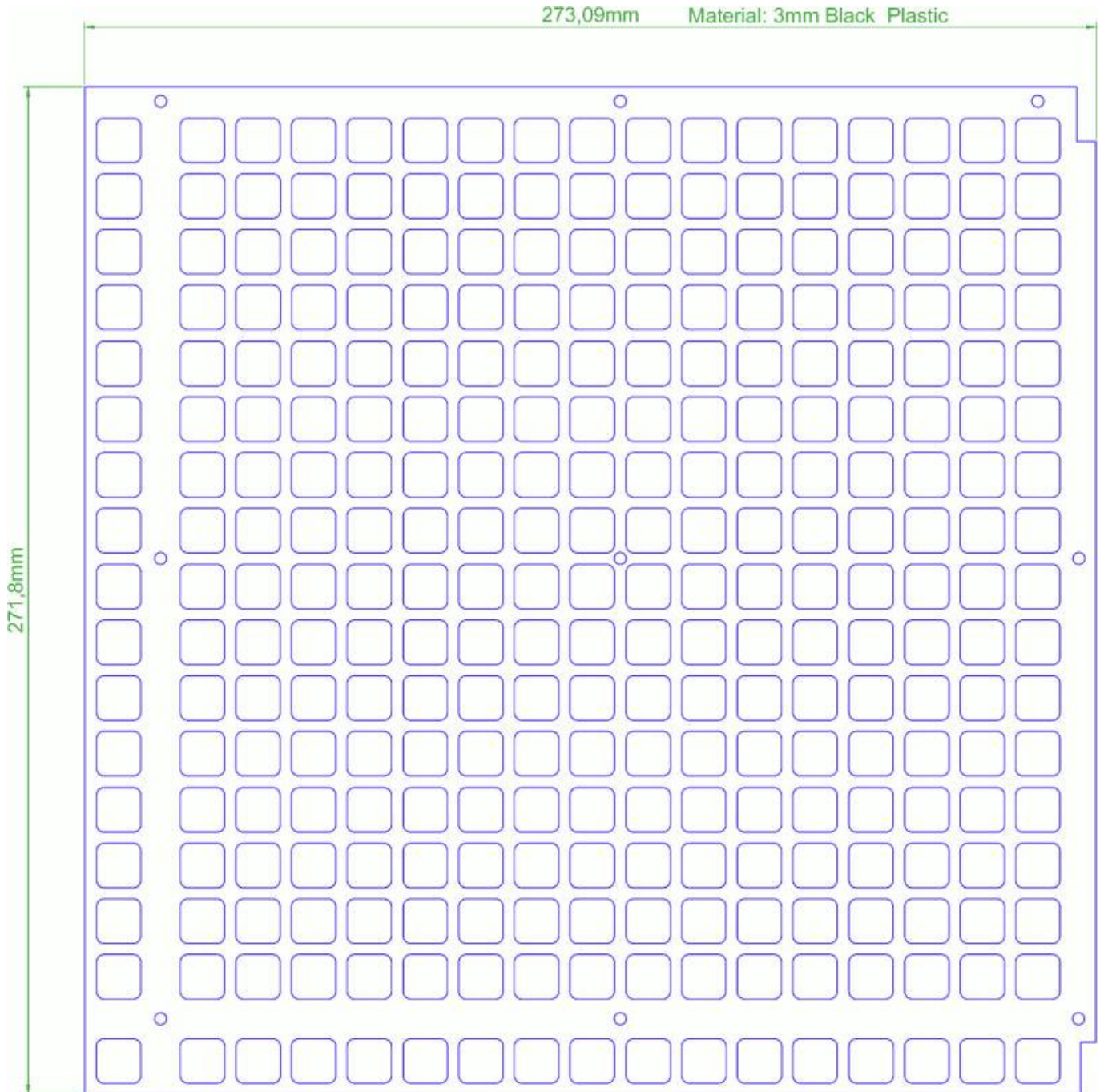
Groundpanel

[tm5-groundpanel.zip](#)



BLM-Acrylic Spacer

optimized file for Formulartm5-blm-spacer.zip
3mm Black Opak Acrylic for example Formulor (EU)
or ponoko (US)



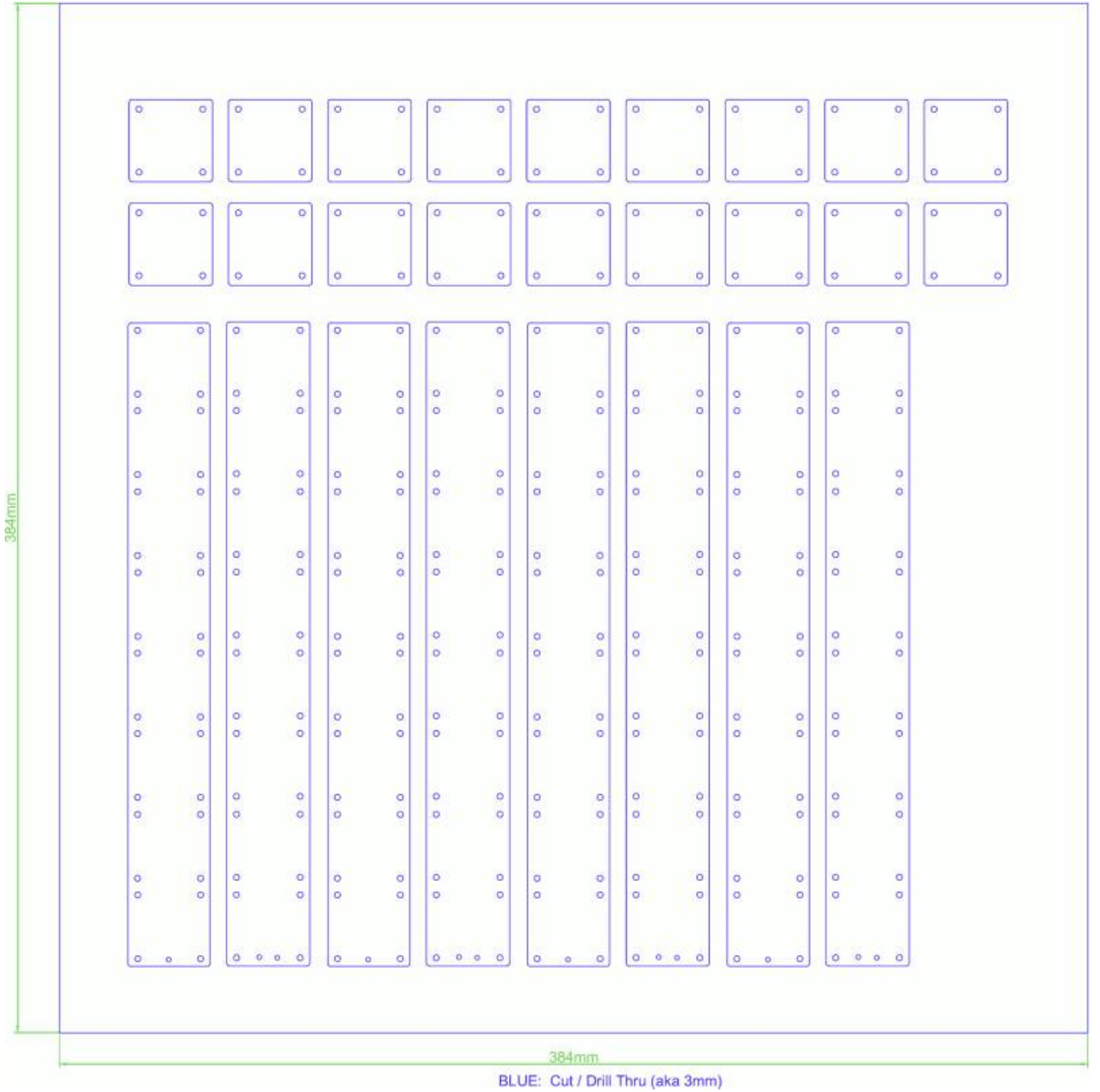
Protection-Glass for Screens

use 1mm Clear transparent Precision-Acrylic [for example Formulor \(EU\)](#)
or [ponoko \(US\)](#)

2 Pairs off Protection Screens, optimized for formular: [tm5-lcd-protection.zip](#)



more Protection Screens, optimized for formular: [tm5-lcd-protection-mehrere.zip](https://www.midi.com/forums/attachment.php?attachmentid=1000000)

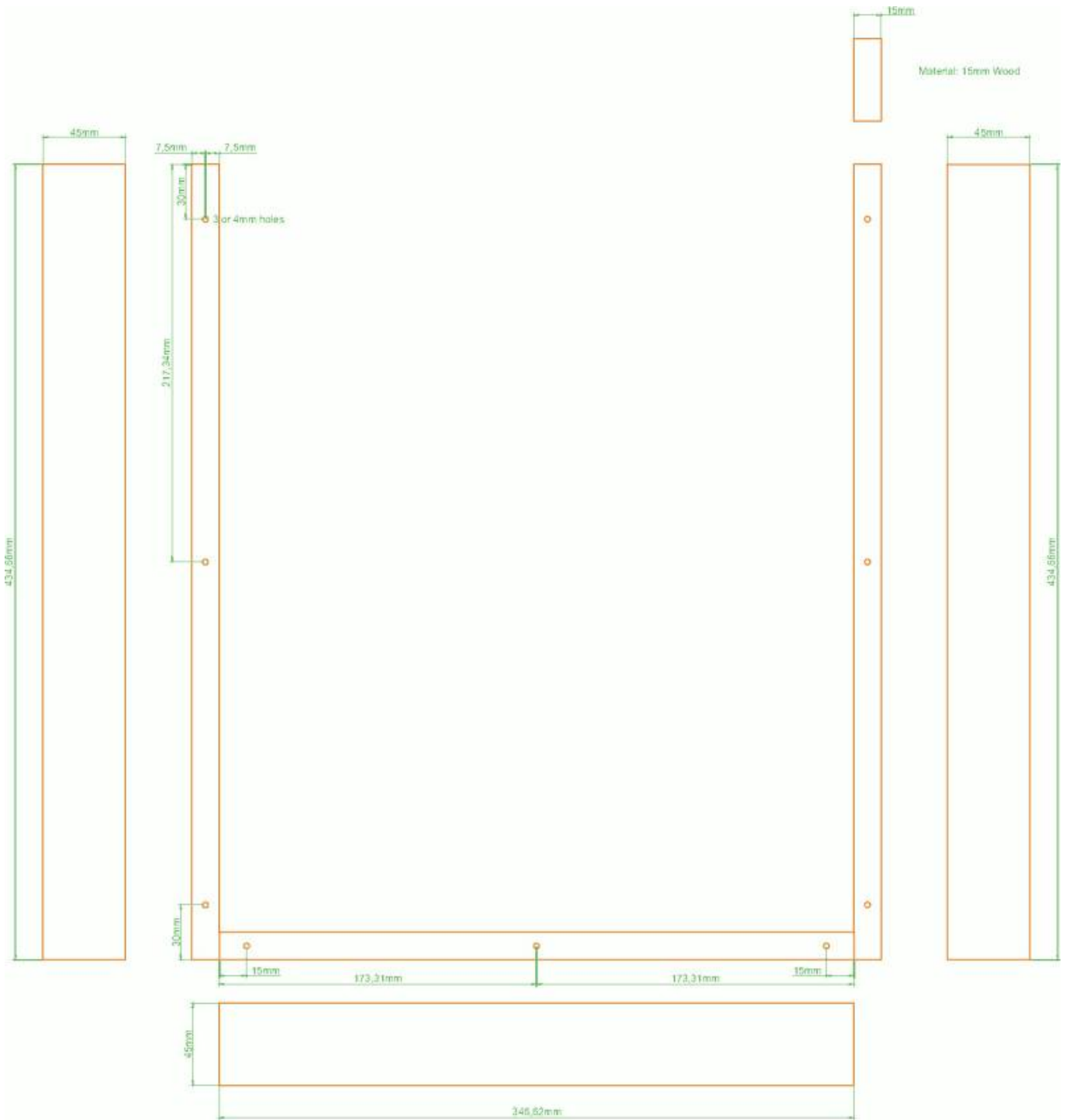




Wooden Side Panels

3x Wooden 15mm Panels, DIY or ask your local carpenter or hardwarestore





From: <https://wiki.midibox.org/> - **MIDIbox**

Permanent link: <https://wiki.midibox.org/doku.php?id=tm5-housing&rev=1673567018>

Last update: **2023/01/12 23:43**

