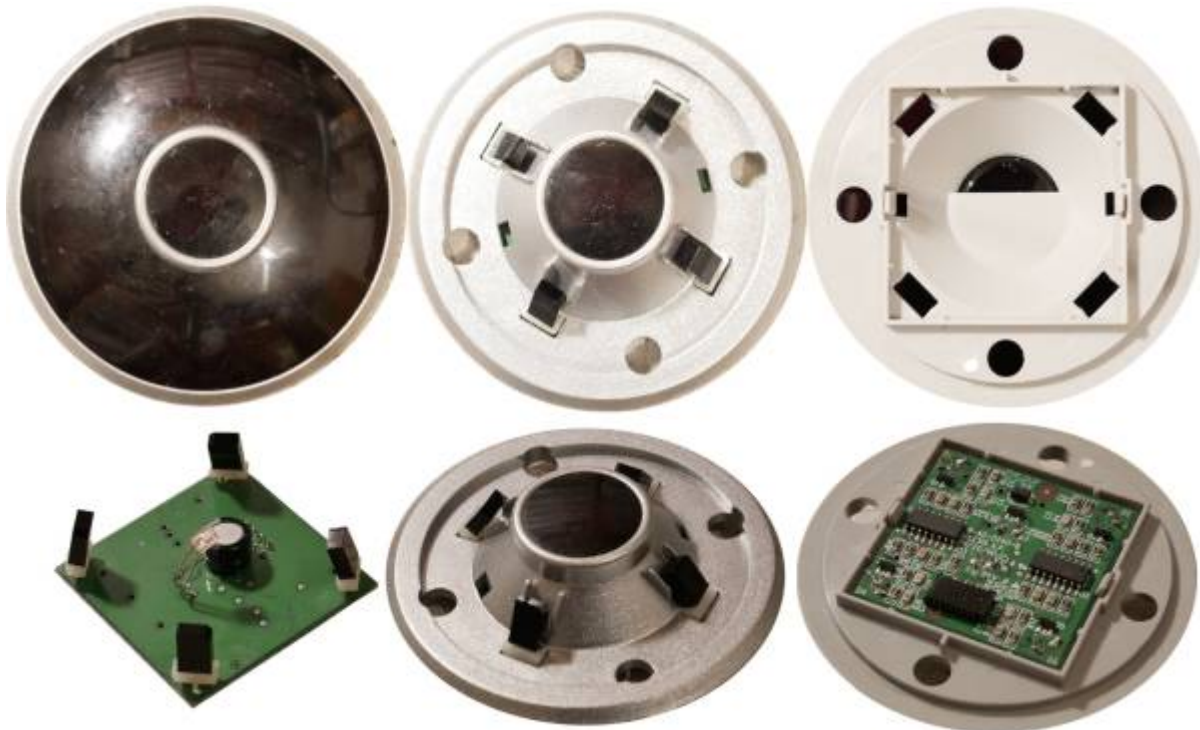


# XYZ-IR-Controller

Hack a Alesis PhotonX25 XYZ-Dome-IR controller  
or how to DIY



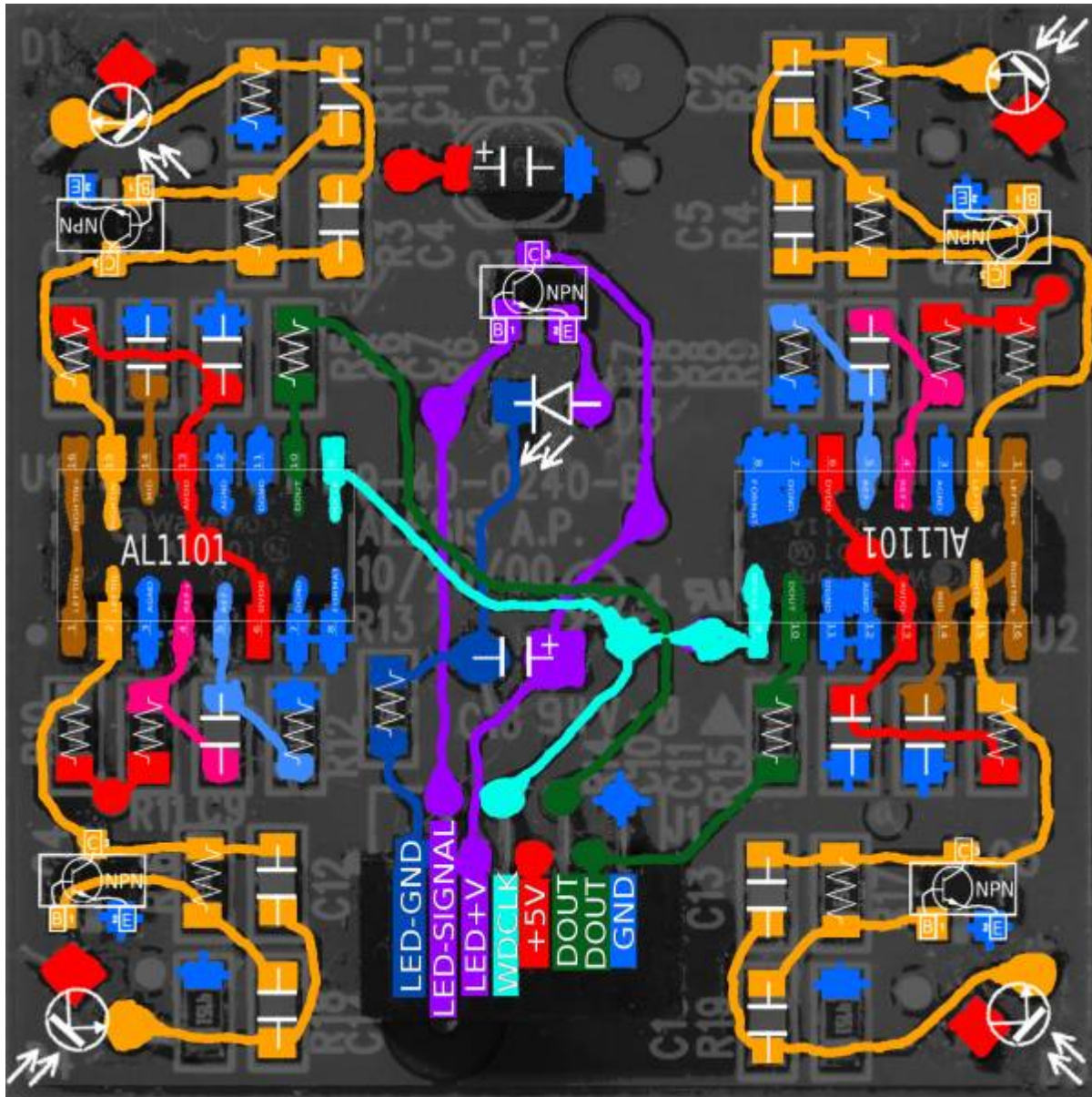
## Introduction

The XYZ Dome works with 1 IR DIODE, and 4 IR Transistors, which are connected to 2x Stereo Audio ADC 24Bit running on Wordclock...

I dont know if i can get the Alesis ADCs running (AL1101) - see Datasheet [al1101-datasheet.pdf](#)  
maybe i only remove the DACs and connect them to J5A!

## PCB/Schematic

first a took a shot of the Front&Back of the IR-PCB... then i matched it, and redrewed every path...



i removed the original picture:



## Hardware Requirements

### Midibox:

- [core32](#)
- [1xMidi IO](#) connect 1 midicontroller and 1 Note/Clock-Source/Destination

## To Do

all...!

# Community users working on it

- **Phatline** = Programming, Documentation...

From:

<https://wiki.midibox.org/> - **MIDIbox**

Permanent link:

<https://wiki.midibox.org/doku.php?id=xyz-ir-controller&rev=1581034690>

Last update: **2020/02/07 00:18**

